

**SINGER**  
99W

# LIST OF PARTS



**MACHINES**  
**Nos. 99w76, 99w77,**  
**99w79, 99w80 and**  
**99w95**

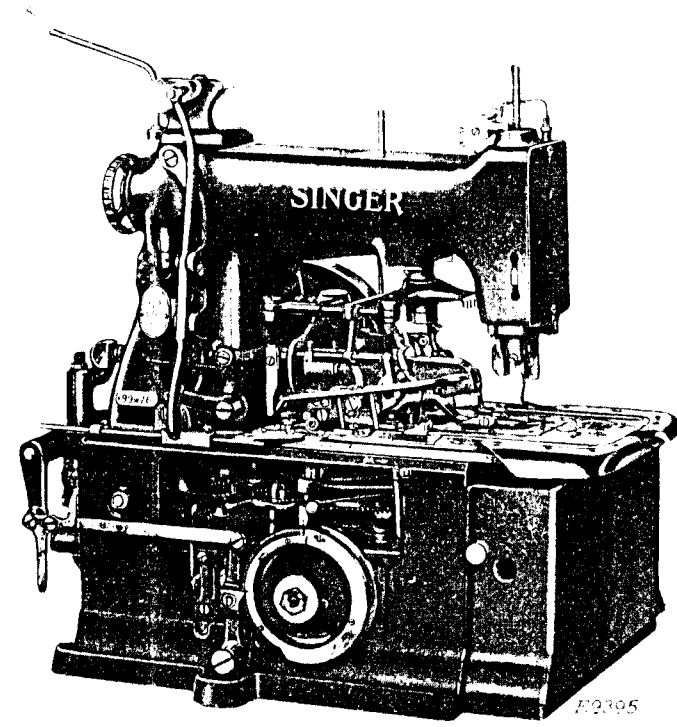
---

**THE SINGER MANUFACTURING COMPANY**

LIST OF PARTS COMPLETE  
FOR

INDEX

	PAGE
ACCESSORIES .....	118
BUTTONHOLE CUTTING BLOCKS .....	128
"    "    KNIVES .....	127
DRIVING EQUIPMENT .....	120
KNIFE TRUING FIXTURE .....	142
MACHINE No. 99w76 .....	7
"    "    99w77 .....	42
"    "    99w79 .....	44
"    "    99w80 .....	47
"    "    99w95 .....	83
NUMERICAL LIST OF PARTS .....	151
OBSOLETE PARTS .....	147
PATTERN WHEEL CABINET .....	142
"    WHEELS .....	130
SHAFT PULLEYS .....	144
THREAD LUBRICATING CUP .....	143
"    UNWINDER .....	119
THROAT PLATES .....	143
TRANSMITTER PULLEYS .....	146



From the library of: Diamond Needle Corp

**MACHINE No. 99w76**

No.	Plate	Name
*250001	---	Arm .....
204235	13811	" Position Pin (2) .....
200020E	13811	" Screw (4) .....
232488	13858	" Shaft .....
232489	13858	" " Bevel Gear (order Position Screw or Set Screw as required) .....
232244	13811	Arm Shaft Bevel Gear Position Pin
350223E	13972	" " " " " Screw
453E	13851	" " " " " Set Screw ..
232002	13812	" " Bushing (back) with 202260 .....

No.	Plate	Name
232490	13812	Arm Shaft Bushing (front) with 202260 .....
202260	—	Arm Shaft Bushing Oil Packing (wick) .....
200100E	13811	Arm Shaft Bushing Screw (4) ....
232003	13858	" " Hand Wheel with two 200341c .....
200341c	13858	Arm Shaft Hand Wheel Set Screw
150D	13858	" " Screw .....
250002	13812	" Side Cover .....
200110D	13811	" " " Screw (2) .....
*250003	—	Bed with 250078, 255509 to 255512, two each 127D, 40025 and eight 1094E .....
250009	—	Bed End Cover .....
232025	13811	" " " Catch (2) .....
232026	13811	" " " " Position Pin (2) .....
250010	13811	" " " " Releaser (2) ..
204264	13811	" " " " " Stop Pin (2) .....
200047D	13811	Bed End Cover Catch Screw (2) ..
201531E	13972	" " " " " Nut (2) .....
250011	13811	" " " Support (left) .....
250012	13811	" " " " (right) .....
457C	13811	" " " " Set Screw ..
250013	—	" Extension .....
250397	13811	" " Position Pin (2) .....
134D	13811	" " Screw (4) .....
250014	13858	" Shaft .....
255521	13932	" " Bevel Gear with two 453c ..
232719	13853	" " " " Position Pin (2) .....
453c	13851	Bed Shaft Bevel Gear Set Screw ..
232030	13812	" " Bushing (back) with 202260 .....
202260	—	Bed Shaft Bushing (back) Oil Packing (wick) .....
232821	13811	Bed Shaft Bushing (back) Oil Tube (brass) .....
230795	13811	Bed Shaft Bushing (back) Oil Tube Pin .....
200100E	13811	Bed Shaft Bushing (back) Screw (2) .....
250015	13812	Bed Shaft Bushing (front) .....
255527	13932	" " " " Oil Tube (brass) .....
250451	13972	Bed Shaft Bushing (front) Oil Tube Bracket .....
330D	13972	Bed Shaft Bushing (front) Oil Tube Bracket Screw .....

No.	Plate	Name
232244	13811	Bed Shaft Bushing (front) Position Pin .....
200100E	13811	Bed Shaft Bushing (front) Screw (2) .....
250017	13858	Bed Shaft Collar with two 1258E (2) .....
1258E	13858	Bed Shaft Collar Set Screw .....
232725	13811	Belt Guard .....
9D	13811	" " Screw .....
255318	15411	Buttonhole Cutting Block (steel), $\frac{3}{4}$ in. Eye or Taper Bar .....
350111c	13883	Buttonhole Cutting Block Pinch Screw .....
250468	13883	Buttonhole Cutting Block Pinch Screw Washer .....
1281D	13883	Buttonhole Cutting Block Stop Screw .....
250020	13818	Buttonhole Cutting Carrier Cam with 200364c .....
40025	13834	Buttonhole Cutting Carrier Cam Position Pin .....
200364c	13972	Buttonhole Cutting Carrier Cam Set Screw .....
250021	13818	Buttonhole Cutting Carrier Lever with 990D, 201366c, 201524E and 201892 .....
50031c	13883	Buttonhole Cutting Carrier Lever Adjusting Screw Stud .....
1698c	13817	Buttonhole Cutting Carrier Lever Adjusting Screw Stud Nut .....
39541	13864	Buttonhole Cutting Carrier Lever Adjusting Screw Stud Nut Washer .....
250022	13883	Buttonhole Cutting Carrier Lever Adjusting Screw Stud Sleeve ..
201892	13883	Buttonhole Cutting Carrier Lever Roller .....
990D	13883	Buttonhole Cutting Carrier Lever Roller Cap Screw .....
201366c	13883	Buttonhole Cutting Carrier Lever Roller Screw Stud .....
201524E	13883	Buttonhole Cutting Carrier Lever Roller Screw Stud Nut .....
232038	13972	Buttonhole Cutting Carrier Lever Slide Block .....
250023	13972	Buttonhole Cutting Disengaging Lever .....
350233c	13972	Buttonhole Cutting Disengaging Lever Hinge Screw .....

No.	Plate	Name
203213	13936	Buttonhole Cutting Disengaging Lever Spring .....
250592	13972	Buttonhole Cutting Disengaging Push Rod .....
2273	13972	Buttonhole Cutting Disengaging Push Rod Pin .....
250290	13818	Buttonhole Cutting Driving Wheel with 446E .....
232043	13883	Buttonhole Cutting Driving Wheel Lock .....
232044	13883	Buttonhole Cutting Driving Wheel Lock Spring .....
200051E	13883	Buttonhole Cutting Driving Wheel Lock Spring Screw .....
228026	13859	Buttonhole Cutting Driving Wheel Lock Spring Screw Washer .....
232724	13883	Buttonhole Cutting Driving Wheel Lock Stop Plate .....
1094E	13883	Buttonhole Cutting Driving Wheel Lock Stop Plate Screw (2) .....
232150	13972	Buttonhole Cutting Driving Wheel Position Pin .....
446E	13972	Buttonhole Cutting Driving Wheel Set Screw .....
250664	—	Buttonhole Cutting Knife (.126 x .180 eye) .....
250027	13883	Buttonhole Cutting Knife Adjusting Block .....
1100D	13883	Buttonhole Cutting Knife Adjusting Block Screw .....
250474	13883	Buttonhole Cutting Knife Base Plate .....
201474E	13883	Buttonhole Cutting Knife Base Plate Adjusting Screw (2) .....
1454E	13883	Buttonhole Cutting Knife Base Plate Screw .....
250475	13883	Buttonhole Cutting Knife Clamping Lever .....
350114c	13883	Buttonhole Cutting Knife Clamping Lever Hinge Screw .....
250030	13885	Buttonhole Cutting Knife Clamping Plate .....
250031	—	Buttonhole Cutting Lever (lower)
251267	13957	" " " " 250031 with 251269 and 251270 .....
250032	13973	Buttonhole Cutting Lever (lower) Cam with 453c .....
40025	13834	Buttonhole Cutting Lever (lower) Cam Position Pin .....

No.	Plate	Name
453c	13851	Buttonhole Cutting Lever (lower) Cam Set Screw .....
250033	13957	Buttonhole Cutting Lever (upper) with 232482, 250468, 350111c and two 232483 .....
251271	13973	Buttonhole Cutting Lever (upper) Cam with 453c .....
40025	13834	Buttonhole Cutting Lever (upper) Cam Position Pin .....
453c	13851	Buttonhole Cutting Lever (upper) Cam Set Screw .....
250464	13957	Buttonhole Cutting Lever Bracket with 200089b .....
250465	13957	Buttonhole Cutting Lever Bracket Arm .....
50027E	13885	Buttonhole Cutting Lever Bracket Arm Screw .....
250530	—	Buttonhole Cutting Lever Bracket complete, Nos. 250464, 250465 and two 50027E .....
250036	13885	Buttonhole Cutting Lever Bracket Gib (left) .....
250037	13885	Buttonhole Cutting Lever Bracket Gib (right) .....
232380	13885	Buttonhole Cutting Lever Bracket Gib Adjusting Plate (2) .....
219E	13856	Buttonhole Cutting Lever Bracket Gib Adjusting Plate Screw (4) ..
206482	13885	Buttonhole Cutting Lever Bracket Gib Adjusting Plate Screw Wash-er (4) .....
201176E	13885	Buttonhole Cutting Lever Bracket Gib Screw (6) .....
250038	13885	Buttonhole Cutting Lever Hinge Stud .....
200089b	13885	Buttonhole Cutting Lever Hinge Stud Set Screw .....
251268	13885	Buttonhole Cutting Lever Spring
251269	13885	" " " " Bracket (lower) .....
251270	13885	Buttonhole Cutting Lever Spring Bracket (lower) Pin .....
232482	13885	Buttonhole Cutting Lever Spring Bracket (upper) .....
232483	13885	Buttonhole Cutting Lever Spring Bracket (upper) Pin .....
250039	13816	Buttonhole Cutting Pressure Wedge with 232056 .....
*201155D	13816	Buttonhole Cutting Pressure Wedge Adjusting Screw .....

No.	Plate	Name
250538	—	Buttonhole Cutting Pressure Wedge Adjusting Screw 201155d with 2273, 201672E, 232054 and 232055
232054	13816	Buttonhole Cutting Pressure Wedge Adjusting Screw Collar.....
232055	13816	Buttonhole Cutting Pressure Wedge Adjusting Screw Collar Position Pin .....
232466	13816	Buttonhole Cutting Pressure Wedge Adjusting Screw Lock Spring ..
662D	13816	Buttonhole Cutting Pressure Wedge Adjusting Screw Lock Spring Screw .....
201672E	13816	Buttonhole Cutting Pressure Wedge Adjusting Screw Nut .....
2273	13972	Buttonhole Cutting Pressure Wedge Adjusting Screw Nut Pin .....
232056	13816	Buttonhole Cutting Pressure Wedge Boss .....
232057	13816	Buttonhole Cutting Pressure Wedge Post with 662D and 232466 .....
200122H	13816	Buttonhole Cutting Pressure Wedge Post Screw .....
250040	13957	Buttonhole Cutting Shaft .....
232383	13957	“ “ “ Hand Crank with 201484c .....
201468H	13816	Buttonhole Cutting Shaft Hand Crank Cap Screw .....
201484c	13816	Buttonhole Cutting Shaft Hand Crank Position Screw .....
203172	13972	Buttonhole Cutting Shaft Hand Crank Washer .....
255019	-	Buttonhole Cutting Shaft Pulley (loose) with 255021, two each 172D, 210750 and eight 232817 ..
232513	13816	Buttonhole Cutting Shaft Pulley Bushing .....
232817	13816	Buttonhole Cutting Shaft Pulley Stud .....
255020	13933	Buttonhole Cutting Shaft Pulley complete, Nos. 255019, two each 255022, 255023 and 350198E .....
250042	13974	Buttonhole Cutting Starting Lever with 201085c .....
232718	13973	Buttonhole Cutting Starting Lever Hinge Stud .....
200530E	13816	Buttonhole Cutting Starting Lever Hinge Stud Set Screw .....
232064	13816	Buttonhole Cutting Starting Lever Latch .....

No.	Plate	Name
350148D	13972	Buttonhole Cutting Starting Lever Latch Hinge Screw .....
201531E	13972	Buttonhole Cutting Starting Lever Latch Hinge Screw Nut .....
232065	13816	Buttonhole Cutting Starting Lever Latch Spring .....
201218E	13816	Buttonhole Cutting Starting Lever Latch Spring Screw Stud (2) ..
200E	13816	Buttonhole Cutting Starting Lever Latch Stop Screw .....
250043	13817	Buttonhole Cutting Starting Lever Plate .....
200577H	13817	Buttonhole Cutting Starting Lever Plate Screw (2) .....
201085c	13817	Buttonhole Cutting Starting Lever Restoring Screw Stud .....
250456	13817	Buttonhole Cutting Starting Lever Safety Plate .....
208E	13817	Buttonhole Cutting Starting Lever Safety Plate Screw (2) .....
250044	13817	Buttonhole Cutting Starting Lever Spring .....
350105E	13816	Buttonhole Cutting Starting Lever Spring Screw Stud .....
250045	13817	Buttonhole Cutting Trip Lever with 460c .....
250046	13817	Buttonhole Cutting Trip Lever Bracket .....
232154	13817	Buttonhole Cutting Trip Lever Bracket Position Pin (2) .....
161D	13817	Buttonhole Cutting Trip Lever Bracket Screw (2) .....
2049	13817	Buttonhole Cutting Trip Lever Position Pin .....
250047	13817	Buttonhole Cutting Trip Lever Safety Lever with 237E .....
232343	13847	Buttonhole Cutting Trip Lever Safety Lever Position Pin .....
237E	13817	Buttonhole Cutting Trip Lever Safety Lever Set Screw .....
460c	13817	Buttonhole Cutting Trip Lever Set Screw .....
250048	13817	Buttonhole Cutting Trip Lever Shaft .....
250049	13817	Buttonhole Cutting Trip Lever Spring .....
201432c	13817	Buttonhole Cutting Trip Screw Stud .....
1521r	13817	Buttonhole Cutting Trip Screw Stud Nut .....

No.	Plate	Name
255062	13972	Buttonhole Cutting Trip Screw Stud Shim (.010 in. thick) .....
255063	13972	Buttonhole Cutting Trip Screw Stud Shim (.025 in. thick) .....
250050	13834	Driving Wheel (loose) .....
232110	—	" " with 200395c and two 232113 .....
232112	13834	Driving Wheel Friction Gib .....
232113	13853	" " " " Position Pin .....
8873	13972	Driving Wheel Position Pin .....
200395c	13972	" " Set Screw .....
251024	13932	" " Stop Cam .....
251025	13932	" " " " Position Collar with 1036c .....
1036c	13972	Driving Wheel Stop Cam Position Collar Set Screw .....
250417	13864	Driving Wheel Stop Cam Spring .....
200096d	13864	" " " " " Position Screw .....
350073E	13972	Driving Wheel Stop Cam Stop Screw .....
232520	13812	Face Plate .....
641d	13853	" " Screw (2) .....
232521	13898	Feed Adjusting Gear .....
250052	13898	" " " Bracket .....
250053	13898	" " " " Clamping Post .....
690d	13862	Feed Adjusting Gear Bracket Clamping Post Screw (2) .....
350113c	13899	Feed Adjusting Gear Bracket Clamping Screw .....
250473	13972	Feed Adjusting Gear Bracket Clamping Screw Washer .....
201428c	13899	Feed Adjusting Gear Screw Stud .....
1518j	13899	" " " " " Nut .....
250704	13973	Feed Driving Gear (intermediate) with 457c .....
232721	13899	Feed Driving Gear (intermediate) Position Pin .....
457c	13811	Feed Driving Gear (intermediate) Set Screw .....
250055	13899	Feed Driving Gear (intermediate) Shaft .....
250657	-	Feed Wheel with three 232382 .....
250057	13825	" " Driving Pawl (3) .....
201385c	13825	" " " " Hinge Screw (3) .....

No.	Plate	Name
250058	13825	Feed Wheel Driving Pawl Spring (3) .....
232382	13825	Feed Wheel Driving Pawl Spring Pin .....
1449u	13825	Feed Wheel Driving Pawl Spring Screw (3) .....
350071E	13825	Feed Wheel Friction Ring Adjusting Screw .....
201522E	13825	Feed Wheel Friction Ring Adjusting Screw Lock Nut .....
232131	13825	Feed Wheel Friction Ring Adjusting Screw Washer (2) .....
250059	13826	Feed Wheel Friction Ring Bracket .....
200070c	13825	" " " " " Screw (2) .....
250060	13826	Feed Wheel Friction Ring Section (long) .....
250061	13826	Feed Wheel Friction Ring Section (short) .....
232135	13825	Feed Wheel Friction Ring Spring .....
232532	13957	" " Ring .....
250062	13825	" " " Gib (3) .....
209F	13825	" " " " Screw (6) .....
201362c	13825	" " Screw Stud .....
250418	13859	Finger Starting Lever with 250435 and 250436 .....
250419	13859	Finger Starting Lever Hinge Block .....
350080d	13859	" " " " " Hinge Screw .....
250420	13859	Finger Starting Lever (intermediate) .....
255080	—	Finger Starting Lever (intermediate) Bracket with 208E and 991c .....
208E	13817	Finger Starting Lever (intermediate) Bracket Pinch Screw .....
158E	13859	Finger Starting Lever (intermediate) Bracket Screw .....
72d	13856	Finger Starting Lever (intermediate) Hinge Screw .....
646E	13859	Finger Starting Lever (intermediate) Operating Stud .....
251292	13975	Finger Starting Lever (intermediate) Operating Stud Collar with 646E .....
2273	13972	Finger Starting Lever (intermediate) Operating Stud Collar Position Pin .....

No.	Plate	Name
200097c	13859	Finger Starting Lever Screw .....
228026	13859	" " " " Washer
251518	15401	" " " Spring .....
250435	13859	" " " Stud (back)..
250436	13859	" " " " (front)..
232539	13899	Intermittent Feed Driving Wheel with two 465c .....
*250395	13898	Intermittent Feed Driving Wheel Bracket .....
232244	13811	Intermittent Feed Driving Wheel Bracket Position Pin (2) .....
129E	13899	Intermittent Feed Driving Wheel Bracket Screw (4) .....
250589	13975	Intermittent Feed Driving Wheel Driving Stud .....
204648	13899	Intermittent Feed Driving Wheel Driving Stud Position Pin .....
232541	13899	Intermittent Feed Driving Wheel Position Pin .....
465c	13899	Intermittent Feed Driving Wheel Set Screw .....
232542	13899	Intermittent Feed Driving Wheel Shaft .....
250705	13975	Intermittent Feed Driving Wheel Shaft Gear with 465c .....
232721	13899	Intermittent Feed Driving Wheel Shaft Gear Position Pin .....
465c	13899	Intermittent Feed Driving Wheel Shaft Gear Set Screw .....
250064	13900	Loop Retainer (left) .....
250065	13900	" " " Carrier .....
251153	13900	" " (right) .....
250067	13900	" " " Carrier .....
250068	13900	" " " Adjusting Block (2)..
255055	15402	" " " Cam with 350223c ...
40025	13834	" " " " Position Pin ....
350223E	13972	" " " " Set Screw .....
250070	13900	" " " Carrier Link (2) .....
201431c	13900	" " " " " Screw (4)
250071	13900	" " " " Shaft .....
735E	13900	" " " " " Set Screw
250073	13900	" " " Driving Bar .....
250410	13900	" " " " " Collar with 200130c .....
200130c	13900	Loop Retainer Driving Bar Collar Pinch Screw .....

No.	Plate	Name
185D	13900	Loop Retainer Screw (2) .....
250491	13975	" " " Washer (2) ..
250074	13900	" " " Shim (.005 in. thick)..
250449	13900	" " " (.010 in. thick)..
250450	13900	" " " (.020 in. thick)..
250537	13900	" " " (.030 in. thick)..
250075	13842	" " " Slide with 201943 ....
250076	13900	" " " " Gib (lower) (2)..
250077	13900	" " " " " (upper) (2)..
190D	13900	" " " " " Screw (6)..
*250078	13900	" " " " Guide Extension
40025	13834	" " " " " "
		Position Pin (2) .....
127D	13900	Loop Retainer Slide Guide Extension Screw (2) .....
201896	13900	Loop Retainer Slide Roller .....
201943	.....	" " " " " 201896 with 250429 .....
250429	13900	Loop Retainer Slide Roller Stud ..
253472	13901	Looper (non-threaded) .....
250080	13901	" (threaded) .....
250081	13842	" " " Bracket with 735E .....
201658c	13901	" " " Adjusting Nut .....
201659c	13901	" " " " " Locking Nut .....
23421	.....	Looper Bracket Dogging Hole Plug (leather) .....
250082	13842	Looper Bracket Frame Chip Guard
401D	13901	" " " " " "
		Screw (2) .....
232555	13862	Looper Bracket Rotating Gear with 906E .....
250084	13862	Looper Bracket Rotating Gear Position Pin .....
906E	13862	Looper Bracket Rotating Gear Set Screw .....
250085	13901	Looper Carrier .....
201433c	13901	" " " Hinge Screw .....
250086	13901	" " " Link .....
201099c	13901	" " " " Hinge Screw (2)
250087	13901	" " " Driving Bar .....
250088	13901	" " " " Connection with 1120c, 250471 and two 233D .....
250471	13901	Looper Driving Connection Plate
233D	13901	" " " " "
		Screw .....
1120c	13901	Looper Driving Connection Set Screw .....
250089	13901	Looper Driving Connection Slide Rod .....



No.	Plate	Name
250090	13901	Looper Driving Connection Slide Rod Bushing (lower) .....
250091	13901	Looper Driving Connection Slide Rod Bushing (upper) .....
250092	13901	Looper Driving Crank .....
250446	13901	" " " Bushing .....
201176E	13885	" " " " Screw (2) .....
250094	13901	Looper Driving Crank Gear with 735E .....
250095	13901	Looper Driving Crank Gear Position Pin .....
	735E 13900	Looper Driving Crank Gear Set Screw .....
250096	13901	Looper Driving Crank Link .....
199c	13901	" " " " Cap Screw .....
350278c	13975	Looper Driving Crank Link Hinge Screw .....
250097	13839	Looper Driving Disc .....
255035	-----	" " " 250097 with 201435c and 201704E .....
201435c	13839	Looper Driving Disc Screw Stud .....
201704E	13839	" " " " " Nut .....
250098	13839	Looper Driving Gear .....
176D	13839	" " " Screw (3) .....
201898	13839	" " Roller .....
201953	-----	" " " 201898 with 201144E and 250099 (2) .....
201144E	13839	Looper Driving Roller Cap Screw .....
250099	13839	" " " Stud .....
*250100	13839	" Frame .....
250462	13840	" " Chip Guard .....
232866	13840	" " Position Pin (2) .....
201082E	13840	" " Screw (3) .....
190E	13900	" Screw (2) .....
250101	13840	" " Washer (2) .....
232270	13840	" Thread and Cord Clamping Spring (long) .....
232271	13840	Looper Thread and Cord Clamping Spring (short) .....
200186B	13840	Looper Thread and Cord Clamping Spring Screw .....
232272	13840	Looper Thread and Cord Cutter .....
200186B	13840	" " " " " Screw .....
250425	13840	Looper Thread Controlling Cam .....
236D	13840	" " " " " Screw (2) .....

No.	Plate	Name
250426	13840	Looper Thread Controlling Lever with 201979 .....
250427	13840	Looper Thread Controlling Lever Bracket .....
183E	13840	Looper Thread Controlling Lever Bracket Screw (2) .....
50061c	13840	Looper Thread Controlling Lever Hinge Screw .....
201979	13975	Looper Thread Controlling Lever Roller and Stud .....
250428	13840	Looper Thread Controlling Lever Spring .....
1120c	13901	Looper Thread Controlling Lever Spring Screw .....
253513	15401	Looper Thread Controlling Spring .....
253488	15401	" " " " " Stop .....
219E	13856	Looper Thread Controlling Spring Stop Screw .....
18859	13840	Looper Thread Guide .....
250102	13840	" " Leader .....
1423F	13840	" " " Screw .....
32012	13902	" " Tension Disc (2) .....
253530	15401	" " " Releaser .....
253531	13932	" " " " Lever .....
350224E	13934	" " " " " Hinge Screw .....
253532	13933	Looper Thread Tension Releaser Lever Rod .....
253535	13932	Looper Thread Tension Releaser Lever Rod Collar with 237F (2) .....
237F	13817	Looper Thread Tension Releaser Lever Rod Collar Set Screw .....
1550J	15401	Looper Thread Tension Releaser Nut .....
7071	13856	Looper Thread Tension Releaser Nut Washer .....
253534	13932	Looper Thread Tension Releaser Operating Cam Block with 219F .....
219F	13856	Looper Thread Tension Releaser Operating Cam Block Set Screw .....
253533	13932	Looper Thread Tension Releaser Operating Lever with 237F .....
237F	13817	Looper Thread Tension Releaser Operating Lever Set Screw .....
232515	13902	Looper Thread Tension Spring .....
1043c	13902	" " " Stud .....
171D	13902	" " " " " Set Screw .....



No.	Plate	Name
252082	13934	Needle Thread Retainer Tension Disc .....
252083	13932	Needle Thread Tension Bracket
159b	13934	" " " "
		Screw (2) .....
32012	13902	Needle Thread Tension Disc (2) ..
154c	13936	" " " Releasing Adjusting Screw .....
1550j	15401	Needle Thread Tension Releasing Adjusting Screw Nut .....
255008	15401	Needle Thread Tension Releasing Block with 200E .....
200E	13816	Needle Thread Tension Releasing Block Set Screw .....
240D	13936	Needle Thread Tension Releasing Block Stop Screw .....
32572	13846	Needle Thread Tension Releasing Disc .....
255009	13933	Needle Thread Tension Releasing Lever .....
255010	13933	Needle Thread Tension Releasing Lever Bracket .....
200346c	13936	Needle Thread Tension Releasing Lever Bracket Adjusting Screw
145E	13853	Needle Thread Tension Releasing Lever Bracket Screw (lower) ..
200062H	13936	Needle Thread Tension Releasing Lever Bracket Screw (upper) ..
35D	15401	Needle Thread Tension Releasing Lever Hinge Screw .....
255011	13936	Needle Thread Tension Releasing Lever Spring .....
39635	13846	Needle Thread Tension Releasing Pin .....
255013	13935	Needle Thread Tension Releasing Rod .....
255014	13936	Needle Thread Tension Releasing Rod Bracket .....
190D	13900	Needle Thread Tension Releasing Rod Bracket Screw (2) .....
255015	13936	Needle Thread Tension Releasing Rod Plate .....
792E	13936	Needle Thread Tension Releasing Rod Plate Screw (2) .....
208E	13817	Needle Thread Tension Releasing Rod Screw .....

No.	Plate	Name
13710	13846	Needle Thread Tension Spring ...
1388c	13846	" " " Stud .....
1560c	13846	" " " Thumb Nut .....
250140	13848	" Vibrating Adjusting Link
741c	13847	" " " "
		Hinge Screw .....
350076c	13847	Needle Vibrating Adjusting Stud
1671c	13847	" " " "
		Nut .....
39532	13847	Needle Vibrating Adjusting Stud Sleeve .....
250141	13848	Needle Vibrating Bell Crank .....
250142	13848	" " " " Connec- tion .....
*38444	-----	Needle Vibrating Bell Crank Con- nection End Bearing (back) ....
38446	13847	Needle Vibrating Bell Crank Con- nection End Bearing 38444 with 42524, 50016c and two 175E ....
50016c	13847	Needle Vibrating Bell Crank Con- nection End Bearing (back) Ball Screw Stud .....
1636E	13847	Needle Vibrating Bell Crank Con- nection End Bearing (back) Ball Screw Stud Nut .....
*42524	-----	Needle Vibrating Bell Crank Con- nection End Bearing (back) Cap
175E	13936	Needle Vibrating Bell Crank Con- nection End Bearing (back) Cap Screw .....
1698c	13847	Needle Vibrating Bell Crank Con- nection End Bearing (back) Check Nut .....
*38443	-----	Needle Vibrating Bell Crank Con- nection End Bearing (front) ....
250143	13847	Needle Vibrating Bell Crank Con- nection End Bearing 38443 with 42525, 201449c and two 175E ....
201449c	13847	Needle Vibrating Bell Crank Con- nection End Bearing (front) Ball Screw .....
*42525	-----	Needle Vibrating Bell Crank Con- nection End Bearing (front) Cap
175E	13936	Needle Vibrating Bell Crank Con- nection End Bearing (front) Cap Screw .....
1697c	13847	Needle Vibrating Bell Crank Con- nection End Bearing (front) Check Nut .....



No.	Plate	Name
436c	13851	Rapid Feed Crank Shaft Bushing Set Screw (2) .....
232600	13851	Rapid Feed Crank Shaft Collar with two 453c .....
453c	13851	Rapid Feed Crank Shaft Collar Set Screw .....
250452	13852	Rapid Feed Crank Shaft Gear with 458c .....
232719	13853	Rapid Feed Crank Shaft Gear Position Pin .....
458c	13853	Rapid Feed Crank Shaft Gear Set Screw .....
202260	----	Rapid Feed Crank Shaft Oil Packing (wick) (2) .....
250163	13852	Rapid Feed Driving Gear .....
250398	15403	" " " " Key ....
250164	13852	" " Gear Guard .....
641D	13853	" " " " Screw (2)...
250534	13852	" " Intermediate Gear (bronze) .....
201447c	13853	Rapid Feed Intermediate Gear Screw Stud .....
1510E	13853	Rapid Feed Intermediate Gear Screw Stud Nut .....
250167	13852	Rapid Feed Intermediate Gear Screw Stud Nut Washer .....
250405	13853	Rapid Feed Intermediate Gear Screw Stud Washer .....
253536	13935	Rapid Feed Pawl Bell Crank with 202299 .....
11c	13853	Rapid Feed Pawl Bell Crank Hinge Screw .....
202299	----	Rapid Feed Pawl Bell Crank Oil Packing (wick) .....
250171	13853	Rapid Feed Pawl Bell Crank Slide Block Section (2) .....
250172	13853	Rapid Feed Pawl Guide .....
181D	13853	" " " " Screw (2)
350260c	13936	" " " " Hinge Screw ...
1655E	15403	" " " " " Nut
252266	13935	" " Slide Bar .....
250174	13852	" " " " Bushing (left) .....
145E	13853	Rapid Feed Slide Bar Bushing (left) Screw (2) .....
250175	13852	Rapid Feed Slide Bar Bushing (right) .....
647E	13853	Rapid Feed Slide Bar Bushing (right) Screw (2) .....

No.	Plate	Name
252269	13936	Rapid Feed Slide Bar Collar with 448c .....
49025	13834	Rapid Feed Slide Bar Collar Position Pin .....
448c	13862	Rapid Feed Slide Bar Collar Set Screw .....
252267	13935	Rapid Feed Slide Bar Fork Connection with 889c .....
253538	15403	Rapid Feed Slide Bar Fork Connection Extension Plate .....
176D	13839	Rapid Feed Slide Bar Fork Connection Extension Plate Screw (2)...
200603F	13853	Rapid Feed Slide Bar Fork Connection Position Screw .....
201448c	15403	Rapid Feed Slide Bar Fork Connection Screw Stud .....
889c	13853	Rapid Feed Slide Bar Fork Connection Set Screw .....
252306	13935	Rapid Feed Slide Bar Lock .....
252271	13936	" " " " " Block
232055	13816	" " " " " " "
		Position Pin .....
704E	15403	Rapid Feed Slide Bar Lock Block Screw (2) .....
350262E	13936	Rapid Feed Slide Bar Lock Hinge Screw .....
250409	15403	Rapid Feed Slide Bar Lock Spring
1241E	13895	" " " " " " "
		Screw Eye .....
250194	13856	Rapid Feed Slide Bar Lock Trip
56c	13856	" " " " " " "
		Hinge Screw .....
252273	13936	Rapid Feed Slide Bar Spring ....
350293E	13936	" " " " " " Cap Screw .....
252274	13936	Rapid Feed Slide Bar Spring Washer .....
250180	15403	Rapid Feed Starting Latch .....
199c	13901	" " " " " Cap Screw .....
201446c	13856	Rapid Feed Starting Latch Hinge Screw Stud .....
250181	15402	Rapid Feed Starting Lever with 1454E .....
255053	13935	Rapid Feed Starting Lever (operated by stop motion) with 704c, 1454E, 203213 and 255054 .....
255064	15403	Rapid Feed Starting Lever Latch
350256c	15403	" " " " " " "
		Hinge Screw .....

No.	Plate	Name
255092	15403	Rapid Feed Starting Lever Latch Spring .....
217E	13864	Rapid Feed Starting Lever Latch Spring Screw .....
253512	15403	Rapid Feed Starting Lever Latch Stop Washer .....
193D	13862	Rapid Feed Starting Lever Latch Stop Washer Screw .....
1330c	15403	Rapid Feed Starting Lever Operating Screw Stud .....
201445E	15403	Rapid Feed Starting Lever Position Screw (2) .....
1454E	13883	Rapid Feed Starting Lever Set Screw .....
250185	13855	Rapid Feed Starting Lever Shaft
250186	15403	" " " " " "
		Collar (left) with 200113E .....
204197	15403	Rapid Feed Starting Lever Shaft Collar (right) with 200113E .....
200113F	15403	Rapid Feed Starting Lever Shaft Collar Set Screw .....
250409	15403	Rapid Feed Starting Lever Spring
1241E	13895	" " " " " "
		Screw Eye .....
255054	13936	Rapid Feed Starting Lever Stud ..
704c	15403	" " " " " " Set Screw .....
203213	13936	Rapid Feed Starting Lever Stud Spring .....
253537	13935	Rapid Feed Starting Pawl .....
250188	15403	" " " " " Spring
201454E	15403	" " " " " "
		Screw Eye .....
250189	13855	Rapid Feed Starting Trip Lever with 1454E .....
201445E	15403	Rapid Feed Starting Trip Lever Position Screw .....
201437c	15403	Rapid Feed Starting Trip Lever Screw Stud .....
1454E	13883	Rapid Feed Starting Trip Lever Set Screw .....
251168	13856	Rapid Feed Tripping Pawl .....
350109c	13856	" " " " " Hinge Screw .....
251169	13856	Rapid Feed Tripping Pawl Lever
250432	13856	" " " " " "
		Bracket .....
232154	13817	Rapid Feed Tripping Pawl Lever Bracket Position Pin (2) .....

No.	Plate	Name
350110c	13856	Rapid Feed Tripping Pawl Lever Bracket Screw .....
14017	13856	Rapid Feed Tripping Pawl Lever Bracket Screw Washer .....
72c	13856	Rapid Feed Tripping Pawl Lever Hinge Screw .....
232083	13937	Rapid Feed Tripping Pawl Spring
1241E	13895	" " " " " "
		Screw Eye .....
1242E	13937	Rapid Feed Tripping Pawl Spring Screw Stud .....
250195	13855	Rapid Feed Worm with 453c .....
25362		" " " " Ball .....
250196	13855	" " " " Bearing Cup
225007	13856	" " " " Retainer with eight 25362 .....
232244	13814	Rapid Feed Worm Position Pin ..
453c	13851	" " " " Set Screw .....
250197	13855	" " " " Wheel .....
250198	13855	" " " " Collar with two 453c .....
453c	13851	Rapid Feed Worm Wheel Collar Set Screw .....
202244		Rapid Feed Worm Wheel Oil Packing (wick) .....
250199	13860	Starting Bell Crank .....
3c	13860	" " " " Hinge Screw ..
250200	13860	" Latch .....
648D	13860	" " Hinge Screw .....
250201	13860	" " Spring .....
203E	13860	" " " Screw .....
250202	13860	" Rod .....
250203	13860	" " Block with 203E .....
2273	13972	" " " Position Pin .....
203E	13860	" " " Set Screw .....
40043	13860	" " Collar with 209c (2) ..
209c	13825	" " " Set Screw .....
250204	13860	" " Lock .....
946D	13860	" " " Hinge Screw .....
250205	13860	" " " Spring .....
213D	13860	" " " " Screw .....
250206	13860	" " " " " Washer
250207	13857	" " Safety Lock .....
38D	13857	" " " " Hinge Screw
226467	13857	" " " " " " " Washer .....
250423	13859	Starting Rod Spring .....
201160E	13860	" " " " Screw Eye ..

No.	Plate	Name
250210	—	Stitch Regulating Gear, 22 teeth ..
250211	—	“ “ “ 26 teeth ..
250212	13899	“ “ “ 28 teeth ..
Note: No. 250212 is furnished with this Machine unless another Stitch Regulating Gear is specified on order.		
250598	—	Stitch Regulating Gear, 30 teeth ..
250213	13899	“ “ “ 33 teeth ..
250214	13899	“ “ “ 34 teeth ..
250415	13899	“ “ “ 38 teeth ..
250478	—	“ “ “ 42 teeth ..
201660c	13899	“ “ “ Lock Nut.
250215	13861	“ Rotating Lever (lower) with 458c ..
201442E	13862	Stitch Rotating Lever (lower) Position Screw ..
201871	13862	Stitch Rotating Lever (lower) Roller ..
350066c	13862	Stitch Rotating Lever (lower) Roller Screw Stud ..
201666E	13862	Stitch Rotating Lever (lower) Roller Screw Stud Nut ..
458c	13853	Stitch Rotating Lever (lower) Set Screw ..
232591	13861	Stitch Rotating Lever (upper) with 448c ..
40025	13834	Stitch Rotating Lever (upper) Position Pin ..
448c	13862	Stitch Rotating Lever (upper) Set Screw ..
232807	13862	Stitch Rotating Lever Connection (front section) (lower) ..
232593	13862	Stitch Rotating Lever Connection (front section) (upper) ..
232808	13862	Stitch Rotating Lever Connection (rear section) (lower) ..
232592	13862	Stitch Rotating Lever Connection (rear section) (upper) ..
58F	13862	Stitch Rotating Lever Connection Hinge Screw (4) ..
172D	13862	Stitch Rotating Lever Connection Screw (lower) ..
193D	13862	Stitch Rotating Lever Connection Screw (upper) ..
39504	13862	Stitch Rotating Lever Connection Screw Washer (lower) ..
232717	13862	Stitch Rotating Lever Connection Screw Washer (upper) ..

No.	Plate	Name
232764	—	Stitch Rotating Lever Connection (lower) complete, Nos. 232807, 232808, two each 172D and 39504
250490	—	Stitch Rotating Lever Connection (upper) complete, Nos. 232592, 232593, 232717 and two 193D ..
250394	13861	Stitch Rotating Lever Rock Shaft
250216	13861	“ “ Sector (lower) ..
232597	13861	“ “ “ “ Bracket 690D
226163	13862	“ “ “ “ “ Screw ..
350087c	13862	Stitch Rotating Sector (lower) Bracket Screw Washer ..
250217	13861	Stitch Rotating Sector (lower) Hinge Screw ..
232599	13861	“ “ “ “ “ Bracket ..
201395D	13862	Stitch Rotating Sector (upper) Bracket Screw (2) ..
23414	13862	Stitch Rotating Sector (upper) Position Collar with two 453c ..
453c	13851	Stitch Rotating Sector (upper) Position Collar Set Screw ..
251926	13933	Stop Lever with 200352c ..
232262	13777	“ “ Bracket ..
350263E	15403	“ “ “ Screw ..
250218	13777	“ “ Crank with 453c ..
40025	13834	“ “ “ Position Pin ..
453c	13851	“ “ “ Set Screw ..
232263	13864	“ “ Friction Pad (rawhide)
200110D	13811	“ “ “ “ Screw (2)
255523	15403	“ “ Interlocking Slide ..
201084c	13864	“ “ “ “ Adjusting Screw ..
201628E	13864	Stop Lever Interlocking Slide Adjusting Screw Nut ..
1178D	13864	Stop Lever Interlocking Slide Screw
232265	13864	“ “ “ “ “ Washer ..
250416	13864	Stop Lever Interlocking Slide Spring ..
250219	13777	Stop Lever Link ..
250220	13777	“ “ “ Connection ..
250221	13864	“ “ “ “ Locking Pin ..
250222	13864	Stop Lever Link Connection Locking Pin Spring ..
217D	13864	Stop Lever Link Connection Locking Pin Spring Screw (2) ..





No.	Plate	Name
250653	15408	Work Clamp Base Clamping Plate (left) .....
250654	15408	Work Clamp Base Clamping Plate (right) .....
934u	15405	Work Clamp Base Clamping Plate Screw .....
232304	15405	Work Clamp Base Hinge Stud ..
232678	15405	" " " Locking Spring (left) .....
232679	15405	Work Clamp Base Locking Spring (right) .....
792b	13936	Work Clamp Base Locking Spring Screw (2) .....
39541	13864	Work Clamp Base Locking Spring Screw Washer (2) .....
250439	13937	Work Clamp Base Retaining Stud
250241	15405	" " " Spring (left) ..
250242	15405	" " " " (right) ..
232306	15405	" " " " (front)
232311	15405	" " " " " " " " Catch .....
350215E	15405	Work Clamp Base Spring (front) Catch Stud (2) .....
93:1	15405	Work Clamp Base Spring (front) Screw .....
1443F	13937	Work Clamp Base Spring Screw
201451E	15405	" " " " " Stud (2) .....
232309	15405	Work Clamp Base Stop Block ....
232310	15405	" " " " " Posi- tion Pin (2) .....
201148u	15405	Work Clamp Base Stop Block Screw (2) .....
253502	15404	Work Clamp Carrier Base Plate with 250439 .....
232462	13826	Work Clamp Carrier Base Plate Slide Rod .....
201643E	13825	Work Clamp Carrier Base Plate Slide Rod Nut .....
200119D	13937	Work Clamp Carrier Base Plate Slide Rod Set Screw .....
250244	13826	Work Clamp Carrier Feed Lever
350185c	13937	" " " " " Hinge Screw .....
250245	13825	Work Clamp Carrier Feed Lever Link .....
250246	13825	Work Clamp Carrier Feed Lever Link Block .....
50168E	13825	Work Clamp Carrier Feed Lever Link Block Screw (2) .....

No.	Plate	Name
350070c	13825	Work Clamp Carrier Feed Lever Link Hinge Screw (block end) ..
350216c	15405	Work Clamp Carrier Feed Lever Link Hinge Screw (lever end) ..
201868	13825	Work Clamp Carrier Feed Lever Roller .....
201988	---	Work Clamp Carrier Feed Lever Roller 201868 with 255075 and 350072E .....
350072E	13825	Work Clamp Carrier Feed Lever Roller Cap Screw .....
255075	13937	Work Clamp Carrier Feed Lever Roller Stud .....
255076	13937	Work Clamp Carrier Feed Lever Roller Stud Washer .....
250248	13974	Work Clamp Carrier Side Throw Lever (lower section) with 201097c and 201530E .....
250249	13974	Work Clamp Carrier Side Throw Lever (upper section) with 201374E and 201937 .....
250599	13937	Work Clamp Carrier Side Throw Lever Hinge Stud .....
250600	13937	Work Clamp Carrier Side Throw Lever Hinge Stud Collar with two 448c .....
448c	13862	Work Clamp Carrier Side Throw Lever Hinge Stud Collar Set Screw .....
435c	13885	Work Clamp Carrier Side Throw Lever Hinge Stud Set Screw ...
250250	13825	Work Clamp Carrier Side Throw Lever Lock Pin with 201940 and 350072E .....
201940	13825	Work Clamp Carrier Side Throw Lever Lock Pin Roller .....
350072E	13825	Work Clamp Carrier Side Throw Lever Lock Pin Roller Cap Screw
201430c	13825	Work Clamp Carrier Side Throw Lever Lock Pin Screw Stud ....
250251	15405	Work Clamp Carrier Side Throw Lever Lock Pin Spring .....
191c	13825	Work Clamp Carrier Side Throw Lever Lock Pin Spring Screw (2)
201873	13825	Work Clamp Carrier Side Throw Lever Roller .....
201937	13825	Work Clamp Carrier Side Throw Lever Roller 201873 with 201144E and 232686 .....

No.	Plate	Name
201144E	13839	Work Clamp Carrier Side Throw Lever Roller Cap Screw .....
232686	13826	Work Clamp Carrier Side Throw Lever Roller Stud .....
201374E	13826	Work Clamp Carrier Side Throw Lever Roller Stud Cap Screw ..
232321	13826	Work Clamp Carrier Side Throw Lever Slide Block .....
250252	13826	Work Clamp Carrier Side Throw Lever Slide Block Guide .....
231c	13826	Work Clamp Carrier Side Throw Lever Slide Block Guide Screw (3) .....
201097c	13826	Work Clamp Carrier Side Throw Lever Slide Block Screw Stud ..
201530E	13826	Work Clamp Carrier Side Throw Lever Slide Block Screw Stud Nut .....
250253	15404	Work Clamp Carrier Slide (left) with 200119d .....
250254	15404	Work Clamp Carrier Slide (right) with 200119d .....
255082	13938	Work Clamp Carrier Slide Adjusting Bracket with 255061 and two 208d .....
236d	13840	Work Clamp Carrier Slide Adjusting Bracket Screw (2) .....
208d	13817	Work Clamp Carrier Slide Adjusting Screw .....
255061	13938	Work Clamp Carrier Slide Adjusting Screw Locking Plate .....
255509	13938	Work Clamp Carrier Slide Gib (left, back) .....
255510	13938	Work Clamp Carrier Slide Gib (left, front) .....
255511	13938	Work Clamp Carrier Slide Gib (right, back) .....
255512	13938	Work Clamp Carrier Slide Gib (right, front) .....
1094E	13883	Work Clamp Carrier Slide Gib Screw .....
250255	15404	Work Clamp Carrier Slide Stay Plate .....
250597	13938	Work Clamp Carrier Slide Stay Plate Position Pin (2) .....
231c	13826	Work Clamp Carrier Slide Stay Plate Screw (5) .....
250619	15406	Work Clamp Check (left) with 1296E .....

No.	Plate	Name
250620	15406	Work Clamp Check (right) with 1296E .....
602E	15406	Work Clamp Check Screw .....
1296E	15406	" " " Stop Screw ...
252194	13823	" " Closing Lever .....
250266	15407	" " " " (hand) with 209E .....
2269	13895	Work Clamp Closing Lever (hand) Position Pin .....
209E	13825	Work Clamp Closing Lever (hand) Set Screw .....
252196	13823	Work Clamp Closing Lever Adjusting Arm with 201531u, 201948 and 228026 .....
1178E	13864	Work Clamp Closing Lever Adjusting Arm Screw .....
14017	13856	Work Clamp Closing Lever Adjusting Arm Screw Washer .....
255021	13935	Work Clamp Closing Lever Cam Groove Protector .....
210750	15407	Work Clamp Closing Lever Cam Groove Protector Position Pin ..
172d	13862	Work Clamp Closing Lever Cam Groove Protector Screw .....
255022	13938	Work Clamp Closing Lever Cam Safety Latch .....
350198E	13938	Work Clamp Closing Lever Cam Safety Latch Hinge Screw .....
255023	13938	Work Clamp Closing Lever Cam Safety Latch Spring .....
250261	13891	Work Clamp Closing Lever Disengaging Block .....
183c	13840	Work Clamp Closing Lever Disengaging Block Screw .....
250406	13891	Work Clamp Closing Lever Disengaging Block Shim (.005 in. thick) .....
250407	13891	Work Clamp Closing Lever Disengaging Block Shim (.010 in. thick) .....
255068	13938	Work Clamp Closing Lever Engaging Stud .....
250263	13823	Work Clamp Closing Lever Engaging Stud Latch .....
250264	13891	Work Clamp Closing Lever Engaging Stud Latch Spring .....
1241E	13895	Work Clamp Closing Lever Engaging Stud Latch Spring Screw Eye
201956	13891	Work Clamp Closing Lever Engaging Stud Roller .....



No.	Plate	Name
1550J	15401	Work Clamp Spreader Adjusting Screw Nut .....
250279	15404	Work Clamp Spreader Base Plate
50058D	15407	" " " " " Screw (2) .....
253503	15401	Work Clamp Spreader Cam .....
253504	15407	" " " " Crank with 906c .....
2269	13895	Work Clamp Spreader Cam Crank Position Pin .....
906c	13862	Work Clamp Spreader Cam Crank Set Screw .....
253505	13953	Work Clamp Spreader Connection
253506	13953	" " " " " Bracket with 201981 .....
1981	13953	Work Clamp Spreader Connection Bracket Roller .....
201981	13953	Work Clamp Spreader Connection Bracket Roller 1981 with 253524
253524	15407	Work Clamp Spreader Connection Bracket Roller Stud .....
208E	13817	Work Clamp Spreader Connection Bracket Screw (2) .....
201453c	13953	Work Clamp Spreader Connection Hinge Screw .....
250281	13953	Work Clamp Spreader Connection Link (left) .....
253507	13953	Work Clamp Spreader Connection Link (right) .....
201452E	15407	Work Clamp Spreader Connection Link Hinge Screw (2) .....
253508	13953	Work Clamp Spreader Lever (front)
940F	13953	" " " " " Hinge Screw .....
194c	13856	Work Clamp Spreader Lever (front) Screw Stud .....
253509	13953	Work Clamp Spreader Operating Fork Lever .....
212D	13825	Work Clamp Spreader Operating Fork Lever Cap Screw .....
253510	15402	Work Clamp Spreader Operating Fork Lever Connection .....
106c	13953	Work Clamp Spreader Operating Fork Lever Connection Hinge Screw (front) .....
99c	13953	Work Clamp Spreader Operating Fork Lever Connection Hinge Screw (rear) .....
350138E	13939	Work Clamp Spreader Operating Fork Lever Hinge Screw .....

No.	Plate	Name
255081	13939	Work Clamp Spreader Operating Fork Lever Stop Plate .....
203E	13860	Work Clamp Spreader Operating Fork Lever Stop Plate Screw ..
7071	13856	Work Clamp Spreader Operating Fork Lever Stop Plate Screw Washer .....
250285	15407	Work Clamp Spreader Operating Pawl .....
252512	13953	Work Clamp Spreader Operating Pawl Adjusting Block .....
176D	13839	Work Clamp Spreader Operating Pawl Adjusting Block Screw ....
7071	13856	Work Clamp Spreader Operating Pawl Adjusting Block Screw Washer .....
132E	15407	Work Clamp Spreader Operating Pawl Adjusting Screw .....
201669E	15407	Work Clamp Spreader Operating Pawl Adjusting Screw Nut .....
741c	13847	Work Clamp Spreader Operating Pawl Hinge Screw .....
250286	15407	Work Clamp Spreader Operating Pawl Spring .....
201314c	15407	Work Clamp Spreader Operating Pawl Stop Screw .....
252513	- -	Work Clamp Spreader Operating Pawl complete, Nos. 176D, 7071, 250285 and 252512 .....
232312	13953	Work Clamp Spreader Plate (2) ..
201121D	13953	" " " " Screw (1) .....
250287	13939	Work Clamp Spreader Releaser
203c	13860	" " " " " Screw .....
201314c	15407	Work Clamp Spreader Screw Stud (2) .....
253525	13953	Work Clamp Spreader Stop Plate
237F	13817	" " " " " Screw .....
255003	13939	Work Clamp Spring .....
255016	13939	" " " " Wear Plate
792D	13936	" " " " " Screw .....

## MACHINE No. 99w77

Same as Machine No. 99w76 with the following exceptions:

No.	Plate	Name
250766	15411	Buttonhole Cutting Block (steel), $\frac{3}{8}$ in. Eye or Taper Bar, in place of 255318 .....
250736	—	Buttonhole Cutting Knife (.126 x .180 eye), in place of 250664 .....
250701	—	Feed Wheel with three 232382, in place of 250657 .....
250751	—	Pattern Wheel, for $\frac{3}{8}$ in. Taper Bar (large eye) Buttonhole, bar adjustable from $\frac{1}{4}$ to $\frac{1}{2}$ in., in place of 255303 .....
252659	13974	Pattern Wheel Ring, in place of 251496 .....
252661	—	Pattern Wheel Ring 252659 with 252662, 262663, two each 211E and 250444, in place of 251428 .....
250752	—	Pattern Wheel, for $\frac{3}{8}$ in. Taper Bar (large eye) Buttonhole, bar adjustable from $\frac{1}{4}$ to $\frac{1}{2}$ in., complete, Nos. 250732, 250751, 252661, two each 175E, 203E 250372 and three 391D, in place of 255304 .....
250755	15404	Work Clamp Arm (left), in place of 250523 .....
250756	15404	Work Clamp Arm (right), in place of 250524 .....
250769	—	Work Clamp Base (left) 253496 with 93H, 194C, 217E, 602E, 792D, 991E, 1443E, 1550J, 7071, 10249, 13218, 200051E, 200097C, 201237E, 201537H, 228026, 232306, 232311, 232312, 250236, 250241, 250418, 250419, 250706, 250755, 250757, 251518, 251519, 252184, 252202, 255003, 255016, 255057, 350080D, 350136E, two each 207E, 201121D, 201129D, 350123E and eight 934H, in place of 255322 .....

No.	Plate	Name
250770	—	Work Clamp Base (right) 253497 with 93H, 602E, 792D, 991E, 1443E, 1550J, 13218, 200051E, 201237E, 201537H, 232270 to 232272, 232306, 232311, 232312, 250238, 250242, 250275, 250707, 250756, 250758, 252184, 252202, 255003, 255016, 255058, 350136E, two each 200186B, 201121D, 201129D, 350123E, four 207E and eight 934H, in place of 255323 .....
250706	15408	Work Clamp Base Clamping Plate (left), in place of 250653 .....
250707	15408	Work Clamp Base Clamping Plate (right), in place of 250654 .....
250757	15406	Work Clamp Check (left) with 1296E, in place of 250619 .....
250758	15406	Work Clamp Check (right) with 1296E, in place of 250620 .....



No.	Plate	Name
252634	-----	Work Clamp Base (right) 253497 with 93H, 602E, 792D, 991E, 1443E, 1550J, 13218, 200051E, 201237E, 201537U, 232270 to 232272, 232306, 232311, 232312, 250238, 250242, 250275, 250513, 250524, 252184, 252202, 252531, 252603, 252623, 255003, 255016, 255058, 350136E, two each 229D, 757E, 200186R, 201121D, 201129D, 350123E, four 207F and eight 934H, in place of 255323 .....
252602	15408	Work Clamp Base Clamping Plate (left), in place of 250653 .....
252603	15408	Work Clamp Base Clamping Plate (right), in place of 250654 .....
252531	15405	Work Clamp Base Clamping Plate Extension .....
757E	15405	Work Clamp Base Clamping Plate Extension Screw .....
232310	15405	Work Clamp Carrier Base Plate Slide Rod Position Pin .....
252621	15406	Work Clamp Check (left) with 1296E, in place of 250619 .....
250512	15406	Work Clamp Check Extension (left) .....
229D	15406	" " " " Screw .....
252622	-----	Work Clamp Check (left) complete, Nos. 250512, 252621 and two 229D .....
252623	15406	Work Clamp Check (right) with 1296E, in place of 250620 .....
250513	15406	Work Clamp Check Extension (right) .....
252624	-----	Work Clamp Check (right) complete, Nos. 250513, 252623 and two 229D .....

**LIST OF PARTS COMPLETE**  
**FOR**  
**MACHINE No. 99w80**

No.	Plate	Name
*250001	---	Arm .....
204235	13811	" Position Pin (2) .....
200020E	13811	" Screw (4) .....
232488	13858	" Shaft .....
232489	13858	" " Bevel Gear (order Position Screw or Set Screw as required) .....
232244	13811	Arm Shaft Bevel Gear Position Pin .....
350223E	13972	" " " " " Screw .....
453E	13851	" " " " Set Screw .....
232002	13812	" " Bushing (back) with 202260 .....
232490	13812	Arm Shaft Bushing (front) with 202260 .....
202260	---	Arm Shaft Bushing Oil Packing (wick) .....
200100F	13811	Arm Shaft Bushing Screw (4) ....
232003	13858	" " Hand Wheel with two 200341C .....
200341C	13858	Arm Shaft Hand Wheel Set Screw .....
150D	13858	" " Screw .....
250002	13812	" Side Cover .....
200110D	13811	" " " Screw (2) .....
*250003	---	Bed with 250078, 255509 to 255512, two each 127D, 40025 and eight 1094E .....
250009	---	Bed End Cover .....
232025	13811	" " " Catch (2) .....
232026	13811	" " " " Position Pin (2) .....
250010	13811	Bed End Cover Catch Releaser (2) .....
204264	13811	" " " " " Stop Pin (2) .....
200047D	13811	Bed End Cover Catch Screw (2) ..
201531E	13972	" " " " " Nut (2) .....
250011	13811	" " " Support (left) ....
250012	13811	" " " " (right) .....
457C	13811	" " " " Set Screw (2) .....
250013	-	" Extension .....
250397	13811	" " Position Pin (2) .....
134D	13811	" " Screw (4) .....

No.	Plate	Name
250014	13858	Bed Shaft .....
255521	13932	" " Bevel Gear with two 453c
232719	13853	" " " " Position Pin (2) .....
453c	13851	Bed Shaft Bevel Gear Set Screw ..
232030	13812	" " Bushing (back) with 202260 .....
202260	—	Bed Shaft Bushing (back) Oil Packing (wick) .....
232821	13811	Bed Shaft Bushing (back) Oil Tube (brass) .....
230795	13811	Bed Shaft Bushing (back) Oil Tube Pin .....
200100E	13811	Bed Shaft Bushing (back) Screw (2) .....
250015	13812	Bed Shaft Bushing (front) .....
255527	13932	" " " " Oil Tube (brass) .....
250451	13972	Bed Shaft Bushing (front) Oil Tube Bracket .....
330D	13972	Bed Shaft Bushing (front) Oil Tube Bracket Screw .....
232244	13811	Bed Shaft Bushing (front) Position Pin .....
200100E	13811	Bed Shaft Bushing (front) Screw (2) .....
250017	13858	Bed Shaft Collar with two 1258E (2)
1258E	13858	" " " " Set Screw .....
232725	13811	Belt Guard .....
9D	13811	" " Screw .....
255318	15411	Buttonhole Cutting Block (steel), $\frac{3}{4}$ in. (eye or taper bar) .....
350111C	13883	Buttonhole Cutting Block Pinch Screw .....
250468	13883	Buttonhole Cutting Block Pinch Screw Washer .....
1281E	13883	Buttonhole Cutting Block Stop Screw .....
250020	13818	Buttonhole Cutting Carrier Cam with 200364c .....
40025	13834	Buttonhole Cutting Carrier Cam Position Pin .....
200364c	13972	Buttonhole Cutting Carrier Cam Set Screw .....
250021	13818	Buttonhole Cutting Carrier Lever with 990D, 201366c, 201524E and 201892 .....
50031c	13883	Buttonhole Cutting Carrier Lever Adjusting Screw Stud .....

No.	Plate	Name
1698c	13847	Buttonhole Cutting Carrier Lever Adjusting Screw Stud Nut .....
39541	13864	Buttonhole Cutting Carrier Lever Adjusting Screw Stud Nut Wash- er .....
250022	13883	Buttonhole Cutting Carrier Lever Adjusting Screw Stud Sleeve ...
201892	13883	Buttonhole Cutting Carrier Lever Roller .....
990D	13883	Buttonhole Cutting Carrier Lever Roller Cap Screw .....
201366c	13883	Buttonhole Cutting Carrier Lever Roller Screw Stud .....
201524E	13883	Buttonhole Cutting Carrier Lever Roller Screw Stud Nut .....
232038	13972	Buttonhole Cutting Carrier Lever Slide Block .....
250023	13972	Buttonhole Cutting Disengaging Lever .....
350233c	13972	Buttonhole Cutting Disengaging Lever Hinge Screw .....
203213	13936	Buttonhole Cutting Disengaging Lever Spring .....
250592	13972	Buttonhole Cutting Disengaging Push Rod .....
2273	13972	Buttonhole Cutting Disengaging Push Rod Pin .....
250290	13818	Buttonhole Cutting Driving Wheel with 446E .....
232043	13883	Buttonhole Cutting Driving Wheel Lock .....
232044	13883	Buttonhole Cutting Driving Wheel Lock Spring .....
200051E	13883	Buttonhole Cutting Driving Wheel Lock Spring Screw .....
228026	13859	Buttonhole Cutting Driving Wheel Lock Spring Screw Washer ...
232724	13883	Buttonhole Cutting Driving Wheel Lock Stop Plate .....
1094E	13883	Buttonhole Cutting Driving Wheel Lock Stop Plate Screw (2) ...
232150	13972	Buttonhole Cutting Driving Wheel Position Pin .....
446E	13972	Buttonhole Cutting Driving Wheel Set Screw .....
252502	15412	Buttonhole Cutting Knife (.126 x .180 eye) .....
250027	13883	Buttonhole Cutting Knife Adjusting Block .....



No.	Plate	Name
1100D	13883	Buttonhole Cutting Knife Adjusting Block Screw .....
250474	13883	Buttonhole Cutting Knife Base Plate .....
201474E	13883	Buttonhole Cutting Knife Base Plate Adjusting Screw (2) .....
1454E	13883	Buttonhole Cutting Knife Base Plate Screw .....
250475	13883	Buttonhole Cutting Knife Clamping Lever .....
350114c	13883	Buttonhole Cutting Knife Clamping Lever Hinge Screw .....
250030	13885	Buttonhole Cutting Knife Clamping Plate .....
250031	-----	Buttonhole Cutting Lever (lower)
251267	13957	" " " 250031 with 251269 and 251270 .....
250032	13973	Buttonhole Cutting Lever (lower) Cam with 453c .....
40025	13834	Buttonhole Cutting Lever (lower) Cam Position Pin .....
453c	13851	Buttonhole Cutting Lever (lower) Cam Set Screw .....
250033	13957	Buttonhole Cutting Lever (upper) with 232482, 250468, 350114c and two 232483 .....
251271	13973	Buttonhole Cutting Lever (upper) Cam with 453c .....
40025	13834	Buttonhole Cutting Lever (upper) Cam Position Pin .....
453c	13851	Buttonhole Cutting Lever (upper) Cam Set Screw .....
250035	13973	Buttonhole Cutting Lever Bracket with 200089D .....
250036	13885	Buttonhole Cutting Lever Bracket Gib (left) .....
250037	13885	Buttonhole Cutting Lever Bracket Gib (right) .....
232380	13885	Buttonhole Cutting Lever Bracket Gib Adjusting Plate (2) .....
219E	13856	Buttonhole Cutting Lever Bracket Gib Adjusting Plate Screw (1) .....
206482	13885	Buttonhole Cutting Lever Bracket Gib Adjusting Plate Screw Washer (4) .....
201176E	13885	Buttonhole Cutting Lever Bracket Gib Screw (6) .....
250038	13885	Buttonhole Cutting Lever Hinge Stud .....

No.	Plate	Name
200089D	13885	Buttonhole Cutting Lever Hinge Stud Set Screw .....
251268	13885	Buttonhole Cutting Lever Spring
251269	13885	" " " " Bracket (lower) .....
251270	13885	Buttonhole Cutting Lever Spring Bracket (lower) Pin .....
232482	13885	Buttonhole Cutting Lever Spring Bracket (upper) .....
232483	13885	Buttonhole Cutting Lever Spring Bracket (upper) Pin .....
250039	13816	Buttonhole Cutting Pressure Wedge with 232056 .....
*201155D	13816	Buttonhole Cutting Pressure Wedge Adjusting Screw .....
250538	-----	Buttonhole Cutting Pressure Wedge Adjusting Screw 201155D with 2273, 201672E, 232054 and 232055 .....
232054	13816	Buttonhole Cutting Pressure Wedge Adjusting Screw Collar .....
232055	13816	Buttonhole Cutting Pressure Wedge Adjusting Screw Collar Position Pin .....
232466	13816	Buttonhole Cutting Pressure Wedge Adjusting Screw Lock Spring ..
662D	13816	Buttonhole Cutting Pressure Wedge Adjusting Screw Lock Spring Screw .....
201672E	13816	Buttonhole Cutting Pressure Wedge Adjusting Screw Nut .....
2273	13972	Buttonhole Cutting Pressure Wedge Adjusting Screw Nut Pin .....
232056	13816	Buttonhole Cutting Pressure Wedge Boss .....
232057	13816	Buttonhole Cutting Pressure Wedge Post with 662D and 232466 .....
200122H	13816	Buttonhole Cutting Pressure Wedge Post Screw .....
250040	13957	Buttonhole Cutting Shaft .....
232383	13957	" " " Hand Crank with 201484c .....
201468H	13816	Buttonhole Cutting Shaft Hand Crank Cap Screw .....
201484c	13816	Buttonhole Cutting Shaft Hand Crank Position Screw .....
255019	-----	Buttonhole Cutting Shaft Pulley (loose) with 255021, two each 172D, 210750 and eight 232817 ..

No.	Plate	Name
255020	13933	Buttonhole Cutting Shaft Pulley complete, Nos. 255019, two each 255022, 255023 and 350198F .....
232513	13816	Buttonhole Cutting Shaft Pulley Bushing .....
232817	13816	Buttonhole Cutting Shaft Pulley Stud .....
250042	13974	Buttonhole Cutting Starting Lever with 201085c .....
232718	13973	Buttonhole Cutting Starting Lever Hinge Stud .....
200530E	13816	Buttonhole Cutting Starting Lever Hinge Stud Set Screw .....
232064	13816	Buttonhole Cutting Starting Lever Latch .....
350148D	13972	Buttonhole Cutting Starting Lever Latch Hinge Screw .....
201531E	13972	Buttonhole Cutting Starting Lever Latch Hinge Screw Nut .....
232065	13816	Buttonhole Cutting Starting Lever Latch Spring .....
201218E	13816	Buttonhole Cutting Starting Lever Latch Spring Screw Stud (2) ..
200E	13816	Buttonhole Cutting Starting Lever Latch Stop Screw .....
250043	13817	Buttonhole Cutting Starting Lever Plate .....
200577H	13817	Buttonhole Cutting Starting Lever Plate Screw (2) .....
201085c	13817	Buttonhole Cutting Starting Lever Restoring Screw Stud .....
250456	13817	Buttonhole Cutting Starting Lever Safety Plate .....
208E	13817	Buttonhole Cutting Starting Lever Safety Plate Screw (2) .....
250044	13817	Buttonhole Cutting Starting Lever Spring .....
350105E	13816	Buttonhole Cutting Starting Lever Spring Screw Stud .....
250045	13817	Buttonhole Cutting Trip Lever with 460c .....
250046	13817	Buttonhole Cutting Trip Lever Bracket .....
232154	13817	Buttonhole Cutting Trip Lever Bracket Position Pin (2) .....
161D	13817	Buttonhole Cutting Trip Lever Bracket Screw (2) .....
2049	13817	Buttonhole Cutting Trip Lever Position Pin .....

No.	Plate	Name
250047	13817	Buttonhole Cutting Trip Lever Safety Lever with 237F .....
232343	13817	Buttonhole Cutting Trip Lever Safety Lever Position Pin .....
237F	13817	Buttonhole Cutting Trip Lever Safety Lever Set Screw .....
460c	13817	Buttonhole Cutting Trip Lever Set Screw .....
250048	13817	Buttonhole Cutting Trip Lever Shaft .....
250049	13817	Buttonhole Cutting Trip Lever Spring .....
201432c	13817	Buttonhole Cutting Trip Screw Stud .....
1521a	13817	Buttonhole Cutting Trip Screw Stud Nut .....
255062	13972	Buttonhole Cutting Trip Screw Stud Shim (.010 in. thick) .....
255063	13972	Buttonhole Cutting Trip Screw Stud Shim (.025 in. thick) .....
251152	13972	Cord Leader (lower) .....
185H	13900	" " " Screw .....
250444	13904	" " " Washer ..
252503	13942	" " (upper) .....
250497	13942	" " " Gib .....
223D	13902	" " " Screw .....
202603	13900	" " " " Washer ..
250498	13942	" " " Slide .....
250499	13942	" " " " Cap Plate ..
200161D	13942	" " " " Screw .....
250500	13942	" " " " Spring .....
252532	13942	" " " Wire .....
252524	-	Cord Leader (upper) complete, Nos. 223D, 202603, 250497 to 250500, 252503 and two 200161D .....
201710D	13942	Cord Spool Adjusting Thumb Nut
350163D	13942	" " " " " " " " Clamping Screw .....
350162E	13942	Cord Spool Tension Stud .....
252533	13942	" " " " Bracket (upper) .....
252535	-	Cord Spool Tension Stud Bracket 252533 with 1520a, 10111, 10112, 201710D, 350162E and 350163D ..
10111	13941	Cord Spool Tension Stud Cone
10112	13941	" " " " " " " " Spring .....
1520a	13856	Cord Spool Tension Stud Nut ....
252506	-	Cording Device complete, Nos. 252524, 252532 and 252535 .....

No.	Plate	Name
250050	13834	Driving Wheel (loose) .....
232110	-----	“ “ with 200395c and two 232113 .....
232112	13834	Driving Wheel Friction Gib .....
232113	13853	“ “ “ “ Posi- tion Pin .....
8873	13972	Driving Wheel Position Pin .....
200395c	13972	“ “ Set Screw .....
251024	13932	“ “ Stop Cam .....
251025	13932	“ “ “ “ Position Collar with 1036c .....
1036c	13972	Driving Wheel Stop Cam Position Collar Set Screw .....
250417	13864	Driving Wheel Stop Cam Spring .....
200096d	13864	“ “ “ “ “ “ Position Screw .....
350073E	13972	Driving Wheel Stop Cam Stop Screw .....
232520	13812	Face Plate .....
641D	13853	“ “ Screw (2) .....
232521	13898	Feed Adjusting Gear .....
250052	13898	“ “ “ Bracket .....
250053	13898	“ “ “ “ Clamp- ing Post .....
690D	13862	Feed Adjusting Gear Bracket Clamping Post Screw (2) .....
350074E	13972	Feed Adjusting Gear Bracket Clamping Screw .....
201428c	13899	Feed Adjusting Gear Screw Stud .....
1518J	13899	“ “ “ “ “ “ Nut .....
250704	13973	Feed Driving Gear (intermediate) with 457c .....
232721	13899	Feed Driving Gear (intermediate) Position Pin .....
457c	13811	Feed Driving Gear (intermediate) Set Screw .....
250055	13899	Feed Driving Gear (intermediate) Shaft .....
252601	13957	Feed Wheel with three 232382 ....
250057	13825	“ “ Driving Pawl (3) ....
201385c	13825	“ “ “ “ Hinge Screw (3) .....
250058	13825	Feed Wheel Driving Pawl Spring (3) .....
232382	13825	Feed Wheel Driving Pawl Spring Pin .....
1449II	13825	Feed Wheel Driving Pawl Spring Screw (3) .....

No.	Plate	Name
350071E	13825	Feed Wheel Friction Ring Adjust- ing Screw .....
201522E	13825	Feed Wheel Friction Ring Adjust- ing Screw Lock Nut .....
232131	13825	Feed Wheel Friction Ring Adjust- ing Screw Washer (2) .....
250059	13826	Feed Wheel Friction Ring Bracket .....
200070c	13825	“ “ “ “ “ “ Screw (2) .....
250060	13826	Feed Wheel Friction Ring Section (long) .....
250061	13826	Feed Wheel Friction Ring Section (short) .....
232135	13825	Feed Wheel Friction Ring Spring .....
232532	13957	“ “ Ring .....
250062	13825	“ “ “ Gib (3) .....
209F	13825	“ “ “ “ Screw (6) ...
201362c	13825	“ “ Screw Stud .....
250418	13859	Finger Starting Lever with 250435 and 250436 .....
250419	13859	Finger Starting Lever Hinge Block .....
350080D	13859	“ “ “ “ “ “ Hinge Screw .....
250420	13859	Finger Starting Lever (intermedi- ate) .....
255080	-----	Finger Starting Lever (intermedi- ate) Bracket with 208E and 991c .....
208E	13817	Finger Starting Lever (intermedi- ate) Bracket Pinch Screw .....
158E	13859	Finger Starting Lever (intermedi- ate) Bracket Screw .....
72D	13856	Finger Starting Lever (intermedi- ate) Hinge Screw .....
646F	13859	Finger Starting Lever (intermedi- ate) Operating Stud .....
251292	13975	Finger Starting Lever (intermedi- ate) Operating Stud Collar with 646E .....
2273	13972	Finger Starting Lever (intermedi- ate) Operating Stud Collar Posi- tion Pin .....
200097c	13859	Finger Starting Lever Screw .....
228026	13859	“ “ “ “ Washer .....
251518	15401	“ “ “ Spring .....
250435	13859	“ “ “ Stud (back) .....
250436	13859	“ “ “ “ (front) .....
232539	13899	Intermittent Feed Driving Wheel with two 465c .....
*250395	13898	Intermittent Feed Driving Wheel Bracket .....

No.	Plate	Name
232244	13811	Intermittent Feed Driving Wheel Bracket Position Pin (2) .....
129E	13899	Intermittent Feed Driving Wheel Bracket Screw (4) .....
250589	13975	Intermittent Feed Driving Wheel Driving Stud .....
204648	13899	Intermittent Feed Driving Wheel Driving Stud Position Pin .....
232541	13899	Intermittent Feed Driving Wheel Position Pin .....
465C	13899	Intermittent Feed Driving Wheel Set Screw .....
232542	13899	Intermittent Feed Driving Wheel Shaft .....
250705	13975	Intermittent Feed Driving Wheel Shaft Gear with 465C .....
232721	13899	Intermittent Feed Driving Wheel Shaft Gear Position Pin .....
465C	13899	Intermittent Feed Driving Wheel Shaft Gear Set Screw .....
252801	13975	Loop Retainer (left) .....
252802	13975	" " " Carrier .....
252803	13975	" " (right) .....
250067	13900	" " " Carrier .....
250068	13900	" " Adjusting Block (2) ..
255055	15402	" " Cam with 350223E ..
40025	13834	" " " Position Pin ..
350223E	13972	" " " Set Screw .....
250070	13900	" " Carrier Link (2) ....
201431C	13900	" " " " Screw (4) .....
250071	13900	" " " Shaft .....
735E	13900	" " " " Set Screw .....
250073	13900	" " Driving Bar .....
250410	13900	" " " " Collar with 200130C .....
200130C	13900	Loop Retainer Driving Bar Collar Pinch Screw .....
185H	13900	Loop Retainer Screw (2) .....
250491	13975	" " " Washer (2) ..
250074	13900	" " Shim .005 in. thick..
250449	13900	" " " .010 in. thick..
250450	13900	" " " .020 in. thick..
250537	13900	" " " .030 in. thick..
250075	13842	" " Slide with 201943 ..
250076	13900	" " " Gib (lower) (2)
250077	13900	" " " " (upper) (2)
190D	13900	" " " " Screw (6) ..
*250078	13900	" " " Guide Extension
40025	13834	" " " " " " Position Pin (2) .....

No.	Plate	Name
127D	13900	Loop Retainer Slide Guide Extension Screw (2) .....
201896	13900	Loop Retainer Slide Roller .....
201943	---	" " " " " " 201896 with 250429 .....
250429	13900	Loop Retainer Slide Roller Stud ..
252804	13975	Looper (left) .....
32012	13902	" " Thread Tension Disc (2) .....
232515	13902	Looper (left) Thread Tension Spring .....
637C	13934	Looper (left) Thread Tension Stud
1560C	13846	" " " " Thumb Nut .....
232516	13902	Looper (left) Thread Tube .....
252507	13975	" (right) .....
250081	13842	" Bracket with 735E .....
201658C	13901	" " Adjusting Nut .....
201659C	13901	" " " " Locking Nut .....
23421	---	Looper Bracket Dogging Hole Plug (leather) .....
250082	13842	Looper Bracket Frame Chip Guard
401D	13901	" " " " " " Screw (2) .....
232555	13862	Looper Bracket Rotating Gear with 906E .....
250084	13862	Looper Bracket Rotating Gear Position Pin .....
906E	13862	Looper Bracket Rotating Gear Set Screw .....
250085	13901	Looper Carrier .....
201433C	13901	" " Hinge Screw .....
250086	13901	" " Link .....
201099C	13901	" " " Hinge Screw (2)
250087	13901	" Driving Bar .....
250088	13901	" " Connection with 1120C, 250471 and two 233D .....
250471	13901	Looper Driving Connection Plate
233D	13901	" " " " " " Screw .....
1120C	13901	Looper Driving Connection Set Screw .....
250089	13901	Looper Driving Connection Slide Rod .....
250090	13901	Looper Driving Connection Slide Rod Bushing (lower) .....
250091	13901	Looper Driving Connection Slide Rod Bushing (upper) .....

No.	Plate	Name
250092	13901	Looper Driving Crank .....
250446	13901	" " " Bushing ....
201176E	13885	" " " " Screw (2) .....
250094	13901	Looper Driving Crank Gear with 735E .....
250095	13901	Looper Driving Crank Gear Posi- tion Pin .....
735E	13900	Looper Driving Crank Gear Set Screw .....
250096	13901	Looper Driving Crank Link .....
199C	13901	" " " " Cap Screw .....
350278C	13975	Looper Driving Crank Link Hinge Screw .....
250097	13839	Looper Driving Disc .....
255035	—	" " " 250097 with 201435C and 201704E .....
201435C	13839	Looper Driving Disc Screw Stud ..
201704E	13839	" " " " " Nut
250098	13839	" " Gear .....
176D	13839	" " " Screw (3) ....
201898	13839	" " Roller .....
201953	—	" " " 201898 with 201144E and 250099 (2) .....
201144E	13839	Looper Driving Roller Cap Screw
250099	13839	" " " Stud .....
*250100	13839	" Frame .....
250462	13840	" " Chip Guard .....
232866	13840	" " Position Pin (2) .....
201082E	13840	" " Screw (3) .....
190E	13900	" Screw (2) .....
250101	13840	" " Washer (2) .....
232270	13840	" Thread and Cord Clamping Spring (long) .....
232271	13840	Looper Thread and Cord Clamping Spring (short) .....
200186B	13840	Looper Thread and Cord Clamping Spring Screw .....
232272	13840	Looper Thread and Cord Cutter
200186B	13840	" " " " " Screw .....
250425	13840	Looper Thread Controlling Cam
236D	13840	" " " " Screw (2) .....
252805	13975	Looper Thread Controlling Lever with 201979 .....
250427	13840	Looper Thread Controlling Lever Bracket .....

No.	Plate	Name
161F	13817	Looper Thread Controlling Lever Bracket Screw .....
252806	15401	Looper Thread Controlling Lever Extension .....
233D	13901	Looper Thread Controlling Lever Extension Screw (2) .....
350177C	13975	Looper Thread Controlling Lever Hinge Screw .....
201979	13975	Looper Thread Controlling Lever Roller and Stud .....
250428	13840	Looper Thread Controlling Lever Spring .....
252807	13975	Looper Thread Controlling Lever Thread Guide .....
18859	13840	Looper Thread Guide .....
250102	13840	" " Leader .....
1423I	13840	" " " Screw .....
32012	13902	" " " Tension Disc (2) ...
253530	15401	" " " Releaser ....
253531	13932	" " " " Lever
350224F	13934	" " " " " Hinge Screw .....
253532	13933	Looper Thread Tension Releaser Lever Rod .....
253535	13932	Looper Thread Tension Releaser Lever Rod Collar with 237F (2) ...
237F	13817	Looper Thread Tension Releaser Lever Rod Collar Set Screw ....
251170	13856	Looper Thread Tension Releaser Lever Spring .....
1550J	15401	Looper Thread Tension Releaser Nut .....
707I	13856	Looper Thread Tension Releaser Nut Washer .....
253534	13932	Looper Thread Tension Releaser Operating Cam Block with 219F
219F	13856	Looper Thread Tension Releaser Operating Cam Block Set Screw
253533	13932	Looper Thread Tension Releaser Operating Lever with 237F ....
237C	13817	Looper Thread Tension Releaser Operating Lever Set Screw ....
252814	13975	Looper Thread Tension Releaser (left) with 1238E .....
350186E	15401	Looper Thread Tension Releaser (left) Screw Stud .....
1528E	13895	Looper Thread Tension Releaser (left) Screw Stud Nut .....
1238I	13817	Looper Thread Tension Releaser (left) Screw Stud Set Screw ....

No.	Plate	Name
232515	13902	Looper Thread Tension Spring ....
1043c	13902	" " " Stud .....
171D	13902	" " " " Set Screw .....
1560c	13846	" " " Thumb Nut ..
232516	13902	" " Tube (brass) .....
232517	13902	" " " Bracket (2) ...
190D	13900	" " " " Screw (2)
32012	13902	Lower Cord Tension Disc (2) ....
232515	13902	" " " Spring .....
637c	13934	" " " Stud .....
1560c	13846	" " " Thumb Nut ..
232516	13902	" " Tube (brass) .....
250451	13972	" " " Bracket (2) ....
250105	13903	Needle Bar Driving Crank with 200394c and two 200382c .....
40025	13834	Needle Bar Driving Crank Position Pin .....
200394c	15401	Needle Bar Driving Crank Set Screw .....
250106	13903	Needle Driving Bar .....
232177	13903	" " " Bushing .....
232176	13903	" " " Collar with 200083c .....
200083c	13847	Needle Driving Bar Collar Pinch Screw .....
232178	13903	Needle Driving Bar Link .....
232709	13903	" " " " Hinge Stud with 222598 .....
222598	---	Needle Driving Bar Link Hinge Stud Oil Packing (wick) .....
200382c	13903	Needle Driving Bar Link Hinge Stud Set Screw .....
250108	13903	Needle Driving Bar Swivel with 210933 .....
210933	---	Needle Driving Bar Swivel Oil Packing (wick) .....
255072	13934	Needle Guard .....
230E	13934	" " Screw .....
233D	13901	" " " (support end) ..
255073	13934	" " Support .....
251214	13903	" Holder with 904E .....
250111	15401	" Gauge Plate .....
201482D	13903	" " " " Adjusting Screw .....
250112	13903	Needle Holder Gauge Plate Block
201670c	15401	" " " " " " Adjusting Nut .....
201670c	15401	Needle Holder Gauge Plate Block Adjusting Nut Lock Nut .....

No.	Plate	Name
200124D	13903	Needle Holder Gauge Plate Screw (2) .....
208E	13817	Needle Holder Screw .....
255074	15401	" " Slide .....
250114	13903	" " " Lever with 255056
201434c	13903	" " " " Hinge Screw
255056	13934	" " " " Pin .....
250115	13903	" " " " Stud .....
208E	13817	" " " " " Screw
250116	13903	" " " " " " Washer .....
251155	13903	Needle Holder Slide Spring .....
201225c	13903	" " " Stud .....
250117	13862	" Rotating Gear with 735E ...
250118	13862	" " " Key .....
735E	13900	" " " " Set Screw ..
904E	13903	" Set Screw .....
253629	13934	" Thread Controller .....
1520A	13856	" " " Nut .....
255004	13934	" " " Spring .....
255005	---	" " " " Bracket with 171E .....
255067	13934	Needle Thread Controller Spring Bracket 255005 with 231c, 252081, 255004, 255006 and 255007 .....
18587	13934	Needle Thread Controller Spring Bracket Position Pin .....
202E	13934	Needle Thread Controller Spring Bracket Screw .....
255006	13934	Needle Thread Controller Spring Stop .....
231c	13826	Needle Thread Controller Spring Stop Adjusting Screw .....
255007	13934	Needle Thread Controller Spring Thread Guide .....
252081	13934	Needle Thread Controller Stud ...
171E	13902	" " " " " Set Screw .....
250119	13934	Needle Thread Guide .....
10145	13934	" " " " .....
232792	13932	" " Leader .....
1664E	13934	" " " Nut .....
10106	13934	" " Retainer Disc .....
39713	13934	" " " Spring .....
996E	13934	" " " " Screw Stud .....
252081	13934	Needle Thread Retainer Stud ....
171E	13902	" " " " " Set Screw .....

No.	Plate	Name
252082	13934	Needle Thread Retainer Tension Disc .....
252083	13932	Needle Thread Tension Bracket
159D	13934	" " " "
		Screw (2) .....
32012	13902	Needle Thread Tension Disc (2) ..
154C	13936	" " " Releasing Adjusting Screw .....
1550J	15401	Needle Thread Tension Releasing Adjusting Screw Nut .....
255008	15401	Needle Thread Tension Releasing Block with 200E .....
200E	13816	Needle Thread Tension Releasing Block Set Screw .....
240D	13936	Needle Thread Tension Releasing Block Stop Screw .....
32572	13846	Needle Thread Tension Releasing Disc .....
255009	13933	Needle Thread Tension Releasing Lever .....
255010	13933	Needle Thread Tension Releasing Lever Bracket .....
200346C	13936	Needle Thread Tension Releasing Lever Bracket Adjusting Screw ..
145E	13853	Needle Thread Tension Releasing Lever Bracket Screw (lower) ..
200062H	13936	Needle Thread Tension Releasing Lever Bracket Screw (upper) ..
35D	15401	Needle Thread Tension Releasing Lever Hinge Screw .....
255011	13936	Needle Thread Tension Releasing Lever Spring .....
39635	13846	Needle Thread Tension Releasing Pin .....
255013	13935	Needle Thread Tension Releasing Rod .....
255014	13936	Needle Thread Tension Releasing Rod Bracket .....
190D	13900	Needle Thread Tension Releasing Rod Bracket Screw (2) .....
255015	13936	Needle Thread Tension Releasing Rod Plate .....
792E	13936	Needle Thread Tension Releasing Rod Plate Screw (2) .....
208E	13817	Needle Thread Tension Releasing Rod Screw .....

No.	Plate	Name
13710	13846	Needle Thread Tension Spring ...
1388C	13846	" " " Stud .....
1560C	13846	" " " Thumb Nut ..
250140	13848	" Vibrating Adjusting Link
741C	13847	" " " "
		Hinge Screw .....
350076C	13847	Needle Vibrating Adjusting Stud
1671C	13847	" " " "
		Nut .....
39532	13847	Needle Vibrating Adjusting Stud Sleeve .....
250141	13848	Needle Vibrating Bell Crank ....
250142	13848	" " " " Con- nection .....
*38444	-----	Needle Vibrating Bell Crank Con- nection End Bearing (back) ....
38446	13847	Needle Vibrating Bell Crank Con- nection End Bearing 38444 with 42524, 50016C and two 175E ....
50016C	13847	Needle Vibrating Bell Crank Con- nection End Bearing (back) Ball Screw Stud .....
1636E	13847	Needle Vibrating Bell Crank Con- nection End Bearing (back) Ball Screw Stud Nut .....
*42524	-----	Needle Vibrating Bell Crank Con- nection End Bearing (back) Cap Screw .....
175E	13936	Needle Vibrating Bell Crank Con- nection End Bearing (back) Cap Screw .....
1698C	13847	Needle Vibrating Bell Crank Con- nection End Bearing (back) Check Nut .....
*38443	-----	Needle Vibrating Bell Crank Con- nection End Bearing (front) ...
250143	13847	Needle Vibrating Bell Crank Con- nection End Bearing 38443 with 42525, 201449C and two 175E ....
201449C	13847	Needle Vibrating Bell Crank Con- nection End Bearing (front) Ball Screw .....
*42525	-----	Needle Vibrating Bell Crank Con- nection End Bearing (front) Cap Screw .....
175E	13936	Needle Vibrating Bell Crank Con- nection End Bearing (front) Cap Screw .....
1697C	13847	Needle Vibrating Bell Crank Con- nection End Bearing (front) Check Nut .....

No.	Plate	Name
45c	13847	Needle Vibrating Bell Crank Hinge Screw .....
250144	13848	Needle Vibrating Lever .....
255034	13936	" " " Hinge Stud
443c	13936	" " " " "
		Set Screw .....
232420	13848	Needle Vibrating Ring with 462c ..
232421	13847	" " " Guide Stud
200083E	13847	" " " " "
		Set Screw .....
232343	13847	Needle Vibrating Ring Position Pin
462c	13847	" " " Set Screw ..
250145	13848	" " Rod .....
250146	13846	" " " (Guide with 1230E
232343	13847	" " " Position Pin
1230E	13851	" " " " Set Screw
250147	13847	" " Switch .....
200308E	13847	" " " Hinge Screw.
252810	----	Pattern Wheel, for $\frac{3}{4}$ in. Taper Bar (large eye) Buttonhole, bar adjustable for $\frac{1}{4}$ to $\frac{3}{8}$ inch .....
201668E	13904	Pattern Wheel Clamping Nut ....
250148	13904	" " Position Stud .....
250372	13904	" " Rapid Feed Trip Point .....
203E	13860	Pattern Wheel Rapid Feed Trip Point Screw .....
251496	13974	Pattern Wheel Ring (adjustable)
251428	----	" " " 251496 with 252662, 252663, two each 211E and 250444 .....
252662	15401	Pattern Wheel Ring Adjusting Segment (curved rise) .....
252663	15401	Pattern Wheel Ring Adjusting Segment (straight drop) .....
211E	13904	Pattern Wheel Ring Adjusting Segment Screw .....
250444	13904	Pattern Wheel Ring Adjusting Segment Screw Washer .....
391D	13904	Pattern Wheel Ring Screw .....
252811	13974	Pattern Wheel, for $\frac{3}{4}$ in. Taper Bar (large eye) Buttonhole, bar adjustable from $\frac{1}{4}$ to $\frac{3}{8}$ in., complete, Nos. 251428, 252810, two each 203E, 250372 and three 391D ....
250149	13974	Pattern Wheel Shaft with 250148...
250150	13906	" " " Bevel Gear with 168D .....
40025	13834	Pattern Wheel Shaft Bevel Gear Position Pin .....

No.	Plate	Name
168D	13904	Pattern Wheel Shaft Bevel Gear Set Screw .....
250151	13906	Pattern Wheel Shaft Bushing (left)
145E	13853	" " " " "
		Screw (2) .....
250152	13906	Pattern Wheel Shaft Bushing (right) .....
647E	13853	Pattern Wheel Shaft Bushing (right) Screw (2) .....
232600	13851	Pattern Wheel Shaft Collar with two 453c .....
453c	13851	Pattern Wheel Shaft Collar Set Screw .....
250154	13851	Rapid Feed Clutch Disengaging Lever (3) .....
253481	13935	Rapid Feed Clutch Disengaging Sleeve .....
250156	13851	Rapid Feed Clutch Driving Disc
1230E	13851	" " " " " "
		Screw (4) .....
201897	13851	Rapid Feed Clutch Roller (3) ....
255095	13932	" " " " " Carrier with 624E .....
40025	13834	Rapid Feed Clutch Roller Carrier Position Pin .....
624E	13851	Rapid Feed Clutch Roller Carrier Set Screw .....
250153	13851	Rapid Feed Clutch Roller Retainer (3) .....
208E	13817	Rapid Feed Clutch Roller Retainer Screw (3) .....
255096	13936	Rapid Feed Clutch Roller Spring (3) .....
255097	13936	Rapid Feed Clutch Roller Spring Guide Pin (3) .....
250158	13851	Rapid Feed Crank Shaft .....
250159	13851	" " " " Bushing (back) .....
250160	13851	Rapid Feed Crank Shaft Bushing (back) Oil Tube (lower) (brass)
250495	13851	Rapid Feed Crank Shaft Bushing (back) Oil Tube (upper) (brass)
250161	13851	Rapid Feed Crank Shaft Bushing (front) .....
436c	13851	Rapid Feed Crank Shaft Bushing Set Screw (2) .....
32600	13851	Rapid Feed Crank Shaft Collar with two 453c .....
453c	13851	Rapid Feed Crank Shaft Collar Set Screw .....





No.	Plate	Name
193D	13862	Rapid Feed Starting Lever Latch Stop Washer Screw .....
1330C	15403	Rapid Feed Starting Lever Operat- ing Screw Stud .....
201445E	15403	Rapid Feed Starting Lever Posi- tion Screw (2) .....
1454E	13883	Rapid Feed Starting Lever Set Screw .....
250185	13855	Rapid Feed Starting Lever Shaft
250186	15403	" " " " "
		Collar (left) with 200113F .....
204197	15403	Rapid Feed Starting Lever Shaft Collar (right) with 200113F ....
200113F	15403	Rapid Feed Starting Lever Shaft Collar Set Screw .....
250409	15403	Rapid Feed Starting Lever Spring
1241E	13895	" " " " "
		Screw Eye .....
255054	13936	Rapid Feed Starting Lever Stud
704C	15403	" " " " "
		Set Screw .....
203213	13936	Rapid Feed Starting Lever Stud Spring .....
253537	13935	Rapid Feed Starting Pawl .....
250188	15403	" " " " Spring
201454E	15403	" " " " "
		Screw Eye .....
250189	13855	Rapid Feed Starting Trip Lever with 1454E .....
201445E	15403	Rapid Feed Starting Trip Lever Position Screw .....
201437C	15403	Rapid Feed Starting Trip Lever Screw Stud .....
1454E	13883	Rapid Feed Starting Trip Lever Set Screw .....
251168	13856	Rapid Feed Tripping Pawl .....
350109C	13856	" " " " Hinge Screw .....
251169	13856	Rapid Feed Tripping Pawl Lever
250432	13856	" " " " "
		Bracket .....
232154	13817	Rapid Feed Tripping Pawl Lever Bracket Position Pin (2) .....
350110C	13856	Rapid Feed Tripping Pawl Lever Bracket Screw .....
14017	13856	Rapid Feed Tripping Pawl Lever Bracket Screw Washer .....
72C	13856	Rapid Feed Tripping Pawl Lever Hinge Screw .....

No.	Plate	Name
232083	13937	Rapid Feed Tripping Pawl Spring
1241E	13895	" " " " "
		Screw Eye .....
1242E	13937	Rapid Feed Tripping Pawl Spring Screw Stud .....
250195	13855	Rapid Feed Worm with 453c .....
25362	---	" " " Ball .....
250196	13855	" " " " Bearing Cup
225007	13856	" " " " Retainer with eight 25362 .....
232244	13811	Rapid Feed Worm Position Pin ..
453C	13851	" " " Set Screw .....
250197	13855	" " " Wheel .....
250198	13855	" " " " Collar with two 453c .....
453C	13851	Rapid Feed Worm Wheel Collar Set Screw .....
202244	---	Rapid Feed Worm Wheel Oil Pack- ing (wick) .....
250199	13860	Starting Bell Crank .....
3C	13860	" " " Hinge Screw...
250200	13860	" Latch .....
643D	13860	" " Hinge Screw .....
250201	13860	" " Spring .....
203E	13860	" " " Screw .....
250202	13860	" Rod .....
250203	13860	" " Block with 203E .....
2273	13972	" " " Position Pin .....
203E	13860	" " " Set Screw .....
40043	13860	" " Collar with 209c (2) ..
209C	13825	" " " Set Screw .....
250204	13860	" " Lock .....
946D	13860	" " " Hinge Screw .....
250205	13860	" " " Spring .....
213D	13860	" " " " Screw .....
250206	13860	" " " " " Washer
250207	13857	" " Safety Lock .....
38D	13857	" " " " Hinge Screw
226467	13857	" " " " " "
		Washer .....
250423	13859	Starting Rod Spring .....
201160E	13860	" " " Screw Eye .....
250210	---	Stitch Regulating Gear, 22 teeth ..
250211	---	" " " 26 teeth ..
250212	13899	" " " 28 teeth ..
250598	---	" " " 30 teeth ..
250213	13899	" " " 33 teeth ..

Note: No. 250213 is furnished with this machine unless another Stitch Regulating Gear is specified on order.

No.	Plate	Name
250214	13899	Stitch Regulating Gear, 34 teeth ..
250415	13899	" " " 38 teeth ..
201660c	13899	" " " Lock Nut ..
250215	13861	" Rotating Lever (lower) with 458c .....
201442E	13862	Stitch Rotating Lever (lower) Posi- tion Screw .....
201871	13862	Stitch Rotating Lever (lower) Rol- ler .....
350066c	13862	Stitch Rotating Lever (lower) Rol- ler Screw Stud .....
201666E	13862	Stitch Rotating Lever (lower) Rol- ler Screw Stud Nut .....
458c	13853	Stitch Rotating Lever (lower) Set Screw .....
232591	13861	Stitch Rotating Lever (upper) with 448c .....
40025	13834	Stitch Rotating Lever (upper) Posi- tion Pin .....
448c	13862	Stitch Rotating Lever (upper) Set Screw .....
232807	13862	Stitch Rotating Lever Connection (front section) (lower) .....
232593	13862	Stitch Rotating Lever Connection (front section) (upper) .....
232808	13862	Stitch Rotating Lever Connection (rear section) (lower) .....
232592	13862	Stitch Rotating Lever Connection (rear section) (upper) .....
58F	13862	Stitch Rotating Lever Connection Hinge Screw (4) .....
172D	13862	Stitch Rotating Lever Connection Screw (lower) .....
193D	13862	Stitch Rotating Lever Connection Screw (upper) .....
39504	13862	Stitch Rotating Lever Connection Screw Washer (lower) .....
232717	13862	Stitch Rotating Lever Connection Screw Washer (upper) .....
232764	----	Stitch Rotating Lever Connection (lower) complete, Nos. 232807, 232808, two each 172D and 39504
250400	----	Stitch Rotating Lever Connection (upper) complete, Nos. 232592, 232593, 232717 and two 193D ....
250394	13861	Stitch Rotating Lever Rock Shaft
250216	13861	" " Sector (lower) .....
232597	13861	" " " " Bracket
690D	13862	" " " " " " Screw .....

No.	Plate	Name
226163	13862	Stitch Rotating Sector (lower) Bracket Screw Washer .....
350087c	13862	Stitch Rotating Sector (lower) Hinge Screw .....
250217	13861	Stitch Rotating Sector (upper) ....
232599	13861	" " " " Bracket
201395D	13862	" " " " " Screw (2) .....
23414	13862	Stitch Rotating Sector (upper) Position Collar with two 453c ..
453c	13851	Stitch Rotating Sector (upper) Position Collar Set Screw .....
251026	13933	Stop Lever with 200352c .....
232262	13777	" " Bracket .....
350263E	15403	" " " Screw .....
250218	13777	" " Crank with 453c .....
40025	13834	" " " Position Pin .....
453c	13851	" " " Set Screw .....
232263	13864	" " Friction Pad (rawhide).
200110D	13811	" " " " Screw (2)
255523	15403	" " Interlocking Slide .....
201084c	13864	" " " " Adjust- ing Screw .....
201628E	13864	Stop Lever Interlocking Slide Ad- justing Screw Nut .....
1178D	13864	Stop Lever Interlocking Slide Screw .....
232265	13864	Stop Lever Interlocking Slide Screw Washer .....
250416	13864	Stop Lever Interlocking Slide Spring .....
250219	13777	Stop Lever Link .....
250220	13777	" " " Connection .....
250221	13864	" " " " Locking Pin .....
250222	13864	Stop Lever Link Connection Lock- ing Pin Spring .....
217D	13864	Stop Lever Link Connection Lock- ing Pin Spring Screw (2) .....
350225D	13937	Stop Lever Link Connection Screw (back) .....
807D	13895	Stop Lever Link Connection Screw (front) .....
64c	13901	Stop Lever Link Hinge Screw ....
250223	13777	" " Operating Lever .....
11c	13853	" " " " Hinge Screw .....

No.	Plate	Name
250224	13864	Stop Lever Operating Plate .....
157c	13864	" " " " Screw
39541	13864	" " " " " "
		Washer .....
40025	13834	Stop Lever Position Pin .....
200352c	13864	" " Set Screw .....
250225	13777	" " Shaft .....
250404	13864	" " Spring .....
201110d	13864	" " Screw .....
251368	13902	Throat Plate, for soft material ....
250447	13902	" " Adjusting Block .....
176d	13839	" " Screw .....
250590	13777	Vertical Shaft with two each 204648 and 250589 .....
255522	13935	Vertical Shaft Bevel Gear (lower) with two 453c .....
232719	13853	Vertical Shaft Bevel Gear (lower) Position Pin .....
250227	13777	Vertical Shaft Bevel Gear (upper) (order Position Screws or Set Screws as required) .....
40025	13834	Vertical Shaft Bevel Gear (upper) Position Pin .....
350223E	13972	Vertical Shaft Bevel Gear Position Screw .....
453c	13851	Vertical Shaft Bevel Gear Set Screw .....
250396	13777	Vertical Shaft Bushing (lower)
200100E	13811	" " " " " "
		Screw (2) .....
232710	13777	Vertical Shaft Bushing (upper) ...
575c	13811	" " " " " Set Screw .....
250523	15404	Work Clamp Arm (left) .....
250524	15404	" " " (right) .....
250525	15408	" " " Bracket (left)
255057	---	" " " " " "
		250525 with 250268, 250551, 250552, 253666 and three 2269 .....
250526	15408	Work Clamp Arm Bracket (right)
255058	---	" " " " " "
		250526 with 250266, 250528, 250529, 253666 and three 2269 .....
201129d	13937	Work Clamp Arm Bracket Screw (back) .....
200161d	13942	Work Clamp Arm Bracket Screw (front) (2) .....
253666	13937	Work Clamp Arm Cam with 209F
2269	13895	" " " " Position Pin .....

No.	Plate	Name
209F	13825	Work Clamp Arm Cam Set Screw
250552	13937	" " " " Shaft (left)
250528	13937	" " " " " (right)
201237F	13937	" " " " Stop Screw
201537u	13937	" " " " " "
		Nut .....
252184	13937	Work Clamp Arm Hinge Block
350123E	13937	" " " " " "
		Hinge Screw .....
200051E	13883	Work Clamp Arm Screw .....
13218	13937	" " " Spring .....
350136E	13937	" " " " Screw ...
253496	15404	" " Base (left) with 232304
252633	---	Work Clamp Base (left) 253496 with 93u, 194c, 217E, 602E, 792d, 991E, 1443E, 1550J, 707I, 10249, 13218, 200051E, 200097C, 201237E, 201537u, 228026, 232306, 232311, 232312, 250236, 250241, 250418, 250419, 250512, 250523, 251518, 251519, 252184, 252202, 252602, 252624, 255003, 255016, 255057, 350080d, 350136E, two each 207E, 229d, 201121d, 201129d, 350123E and eight 934u .....
250236	15404	Work Clamp Base (left) Guard
934u	15405	" " " " " "
		Screw (4) .....
253497	15404	Work Clamp Base (right) with 232304 .....
252634	---	Work Clamp Base (right) 253497 with 93u, 602E, 792d, 991E, 1443E, 1550J, 13218, 200051E, 201237E, 201537u, 232270 to 232272, 232306, 232311, 232312, 250238, 250242, 250275, 250513, 250524, 252184, 252202, 252531, 252603, 252623, 255003, 255016, 255058, 350136E, two each 229d, 757E, 200186u, 201121d, 201129d, 350123E, four 207E and eight 934u .....
250238	15404	Work Clamp Base (right) Guard
934u	15405	" " " " " "
		Screw .....
252602	15408	Work Clamp Base Clamping Plate (left) .....
252603	15408	Work Clamp Base Clamping Plate (right) .....
252531	15405	Work Clamp Base Clamping Plate Extension .....

No.	Plate	Name
757E	15405	Work Clamp Base Clamping Plate Extension Screw .....
934H	15405	Work Clamp Base Clamping Plate Screw .....
232304	15405	Work Clamp Base Hinge Stud ....
232678	15405	" " " Locking Spring (left) .....
232679	15405	Work Clamp Base Locking Spring (right) .....
792D	13936	Work Clamp Base Locking Spring Screw (2) .....
39541	13864	Work Clamp Base Locking Spring Screw Washer (2) .....
250439	13937	Work Clamp Base Retaining Stud
250241	15405	" " " Spring (left) ..
250242	15405	" " " " (right) ..
232306	15405	" " " " (front)
232311	15405	" " " " " "
		Catch .....
350215E	15405	Work Clamp Base Spring (front) Catch Stud (2) .....
93H	15405	Work Clamp Base Spring (front) Screw .....
1443F	13937	Work Clamp Base Spring Screw
201451E	15405	" " " " " " Stud (2) .....
232309	15405	Work Clamp Base Stop Block (2) ..
232310	15405	" " " " " " Position Pin (2) .....
201148H	15405	Work Clamp Base Stop Block Screw (2) .....
253502	15404	Work Clamp Carrier Base Plate with 250439 .....
232462	13826	Work Clamp Carrier Base Plate Slide Rod .....
201643E	13825	Work Clamp Carrier Base Plate Slide Rod Nut .....
232310	15405	Work Clamp Carrier Base Plate Slide Rod Position Pin (2) .....
200119D	13937	Work Clamp Carrier Base Plate Slide Rod Set Screw .....
250244	13826	Work Clamp Carrier Feed Lever
350185E	13937	" " " " " " Hinge Screw .....
250245	13825	Work Clamp Carrier Feed Lever Link .....
250246	13825	Work Clamp Carrier Feed Lever Link Block .....
50168E	13825	Work Clamp Carrier Feed Lever Link Block Screw (2) .....

No.	Plate	Name
350070C	13825	Work Clamp Carrier Feed Lever Link Hinge Screw (block end) ..
350216C	15405	Work Clamp Carrier Feed Lever Link Hinge Screw (lever end) ..
201868	13825	Work Clamp Carrier Feed Lever Roller .....
201988	-----	Work Clamp Carrier Feed Lever Roller 201868 with 255075 and 350072E .....
350072E	13825	Work Clamp Carrier Feed Lever Roller Cap Screw .....
255075	13937	Work Clamp Carrier Feed Lever Roller Stud .....
255076	13937	Work Clamp Carrier Feed Lever Roller Stud Washer .....
250248	13974	Work Clamp Carrier Side Throw Lever (lower section) with 201097C and 201530E .....
250249	13974	Work Clamp Carrier Side Throw Lever (upper section) with 201374E and 201937 .....
250599	13937	Work Clamp Carrier Side Throw Lever Hinge Stud .....
250600	13937	Work Clamp Carrier Side Throw Lever Hinge Stud Collar with two 448C .....
448C	13862	Work Clamp Carrier Side Throw Lever Hinge Stud Collar Set Screw .....
435C	13885	Work Clamp Carrier Side Throw Lever Hinge Stud Set Screw ...
250250	13825	Work Clamp Carrier Side Throw Lever Lock Pin with 201940 and 350072E .....
201940	13825	Work Clamp Carrier Side Throw Lever Lock Pin Roller .....
350072E	13825	Work Clamp Carrier Side Throw Lever Lock Pin Roller Cap Screw
201430C	13825	Work Clamp Carrier Side Throw Lever Lock Pin Screw Stud ....
250251	15405	Work Clamp Carrier Side Throw Lever Lock Pin Spring .....
191C	13825	Work Clamp Carrier Side Throw Lever Lock Pin Spring Screw (2)
201873	13825	Work Clamp Carrier Side Throw Lever Roller .....
201937	13825	Work Clamp Carrier Side Throw Lever Roller 201873 with 201144E and 232686 .....

No.	Plate	Name
250263	13823	Work Clamp Closing Lever Engaging Stud Latch .....
250264	13891	Work Clamp Closing Lever Engaging Stud Latch Spring .....
1241E	13895	Work Clamp Closing Lever Engaging Stud Latch Spring Screw Eye .....
201956	13891	Work Clamp Closing Lever Engaging Stud Roller .....
255069	13938	Work Clamp Closing Lever Engaging Stud Roller Cap .....
350133E	13891	Work Clamp Closing Lever Engaging Stud Screw .....
250265	13891	Work Clamp Closing Lever Engaging Stud Spring .....
255070	---	Work Clamp Closing Lever Engaging Stud complete, Nos. 201956, 255068, 255069 and 350133E .....
201438C	13891	Work Clamp Closing Lever Hinge Screw .....
201947	13891	Work Clamp Closing Lever Roller .....
201948	13891	" " " " " " .....
350156E	13891	201947 with 350156E .....
201531H	13972	Work Clamp Closing Lever Roller Screw Stud Nut .....
228026	13859	Work Clamp Closing Lever Roller Screw Stud Washer .....
250267	13891	Work Clamp Closing Lever Spring .....
1241E	13895	" " " " " " .....
991C	13891	Screw Eye (2) .....
250268	13891	Work Clamp Closing Lever Stop Screw .....
250268	15407	Work Clamp Connection Lever (left) with 209F .....
250269	15407	Work Clamp Connection Lever (right) with 209F .....
2269	13895	Work Clamp Connection Lever Position Pin .....
209F	13825	Work Clamp Connection Lever Set Screw .....
250270	15402	Work Clamp Opening Bell Crank with 1819 .....
659D	13895	Work Clamp Opening Bell Crank Hinge Screw .....
1819	13895	Work Clamp Opening Bell Crank Roller and Stud .....
232200	13895	Work Clamp Opening Bell Crank Spring .....

No.	Plate	Name
1241E	13895	Work Clamp Opening Bell Crank Spring Screw Eye .....
253680	15407	Work Clamp Opening Cam with 462C .....
12509	15407	Work Clamp Opening Cam Position Pin .....
462C	13847	Work Clamp Opening Cam Set Screw .....
250551	13895	Work Clamp Opening Lever with 1253C .....
251519	13939	Work Clamp Opening Lever Latch .....
253679	---	" " " " " " .....
200E	13816	Releasing Bracket with 200E, 1547J and 350218C .....
350218C	15407	Work Clamp Opening Lever Latch Releasing Bracket Set Screw .....
1547J	15407	Work Clamp Opening Lever Latch Releasing Screw .....
10249	13939	Work Clamp Opening Lever Latch Releasing Screw Check Nut .....
217E	13864	Work Clamp Opening Lever Latch Spring .....
7071	13856	Work Clamp Opening Lever Latch Spring Screw Washer .....
194C	13856	Work Clamp Opening Lever Latch Spring Screw Washer .....
2269	13895	Work Clamp Opening Lever Latch Stop Screw .....
1253C	13895	Work Clamp Opening Lever Position Pin .....
255077	13939	Work Clamp Opening Lever Set Screw .....
255078	13939	Work Clamp Opening Rod .....
255079	---	" " " " " " Connection .....
807D	13895	Work Clamp Opening Rod complete, Nos. 203C, 1662J, 250287, 255077 and 255078 .....
250274	13895	Work Clamp Opening Rod Connection Hinge Screw .....
808E	13895	Work Clamp Opening Rod Guide with 808E .....
1662J	13939	Work Clamp Opening Rod Guide Pinch Screw .....
250275	13895	Work Clamp Opening Rod Nut .....
		" " " " Stop (adjustable) .....



No.	Plate	Name
201144E	13839	Work Clamp Carrier Side Throw Lever Roller Cap Screw .....
232686	13826	Work Clamp Carrier Side Throw Lever Roller Stud .....
201374E	13826	Work Clamp Carrier Side Throw Lever Roller Stud Cap Screw ..
232321	13826	Work Clamp Carrier Side Throw Lever Slide Block .....
250252	13826	Work Clamp Carrier Side Throw Lever Slide Block Guide .....
231c	13826	Work Clamp Carrier Side Throw Lever Slide Block Guide Screw (3) .....
201097c	13826	Work Clamp Carrier Side Throw Lever Slide Block Screw Stud ..
201530E	13826	Work Clamp Carrier Side Throw Lever Slide Block Screw Stud Nut
252815	13974	Work Clamp Carrier Slide (left) with 200119b .....
250254	15404	Work Clamp Carrier Slide (right) with 200119b .....
255082	13938	Work Clamp Carrier Slide Adjusting Bracket with 255061 and two 208b .....
236D	13840	Work Clamp Carrier Slide Adjusting Bracket Screw (2) .....
208D	13817	Work Clamp Carrier Slide Adjusting Screw .....
255061	13938	Work Clamp Carrier Slide Adjusting Screw Locking Plate .....
255509	13938	Work Clamp Carrier Slide Gib (left, back) .....
255510	13938	Work Clamp Carrier Slide Gib (left, front) .....
255511	13938	Work Clamp Carrier Slide Gib (right, back) .....
255512	13938	Work Clamp Carrier Slide Gib (right, front) .....
1094E	13883	Work Clamp Carrier Slide Gib Screw .....
250255	15404	Work Clamp Carrier Slide Stay Plate .....
250597	13938	Work Clamp Carrier Slide Stay Plate Position Pin (2) .....
231c	13826	Work Clamp Carrier Slide Stay Plate Screw (5) .....
252621	15406	Work Clamp Check (left) with 1296E .....

No.	Plate	Name
250512	15406	Work Clamp Check Extension (left)
229D	15406	" " " " Screw
602D	15406	" " " " Screw .....
1296E	15406	" " " " Stop Screw ....
252622	---	Work Clamp Check (left) complete, Nos. 250512, 252621 and two 229D
252623	15406	Work Clamp Check (right) with 1296E .....
250513	15406	Work Clamp Check Extension (right) .....
252624	---	Work Clamp Check (right) complete, Nos. 250513, 252623 and two 229D .....
252194	13823	Work Clamp Closing Lever .....
250266	15407	" " " " (hand) with 209E .....
2269	13895	Work Clamp Closing Lever (hand) Position Pin .....
209E	13825	Work Clamp Closing Lever (hand) Set Screw .....
252196	13823	Work Clamp Closing Lever Adjusting Arm with 201531a, 201948 and 228026 .....
1178E	13864	Work Clamp Closing Lever Adjusting Arm Screw .....
14017	13856	Work Clamp Closing Lever Adjusting Arm Screw Washer .....
255021	13935	Work Clamp Closing Lever Cam Groove Protector .....
210750	15407	Work Clamp Closing Lever Cam Groove Protector Position Pin ..
172D	13862	Work Clamp Closing Lever Cam Groove Protector Screw .....
255022	13938	Work Clamp Closing Lever Cam Safety Latch .....
350198E	13938	Work Clamp Closing Lever Cam Safety Latch Hinge Screw ....
255023	13938	Work Clamp Closing Lever Cam Safety Latch Spring .....
250261	13891	Work Clamp Closing Lever Disengaging Block .....
183c	13840	Work Clamp Closing Lever Disengaging Block Screw .....
250406	13891	Work Clamp Closing Lever Disengaging Block Shim (.005 in. thick)
250407	13891	Work Clamp Closing Lever Disengaging Block Shim (.010 in. thick)
255068	13938	Work Clamp Closing Lever Engaging Stud .....





No.	Plate	Name
207F	13895	Work Clamp Opening Stop Screw
250276	15407	" " Spreader (left) .....
350140D	15407	" " " " Screw..
250277	15407	" " " (right) .....
201463D	15407	" " " " Screw ..
991E	13891	" " " Adjusting Screw
252202	13953	" " " " "
		Bracket .....
207F	13895	Work Clamp Spreader Adjusting Screw Bracket Screw .....
1550J	15401	Work Clamp Spreader Adjusting Screw Nut .....
250279	15404	Work Clamp Spreader Base Plate
50058D	15407	" " " " "
		Screw (2) .....
253503	15401	Work Clamp Spreader Cam .....
253504	15407	" " " " Crank with 906c .....
2269	13895	Work Clamp Spreader Cam Crank Position Pin .....
906c	13862	Work Clamp Spreader Cam Crank Set Screw .....
253505	13953	Work Clamp Spreader Connection
253506	13953	" " " " "
		Bracket with 201981 .....
1981	13953	Work Clamp Spreader Connection Bracket Roller .....
201981	13953	Work Clamp Spreader Connection Bracket Roller 1981 with 253524
253524	15407	Work Clamp Spreader Connection Bracket Roller Stud .....
208E	13817	Work Clamp Spreader Connection Bracket Screw (2) .....
201453c	13953	Work Clamp Spreader Connection Hinge Screw .....
250281	13953	Work Clamp Spreader Connection Link (left) .....
253507	13953	Work Clamp Spreader Connection Link (right) .....
201452E	15407	Work Clamp Spreader Connection Link Hinge Screw (2) .....
253508	13953	Work Clamp Spreader Lever (front)
940F	13953	" " " " "
		Hinge Screw .....
194c	13856	Work Clamp Spreader Lever (front) Screw Stud .....
253509	13953	Work Clamp Spreader Operating Fork Lever .....
253510	15402	Work Clamp Spreader Operating Fork Lever Connection .....

No.	Plate	Name
106e	13953	Work Clamp Spreader Operating Fork Lever Connection Hinge Screw (front) .....
99c	13953	Work Clamp Spreader Operating Fork Lever Connection Hinge Screw (rear) .....
350138E	13939	Work Clamp Spreader Operating Fork Lever Hinge Screw .....
255081	13939	Work Clamp Spreader Operating Fork Lever Stop Plate .....
203E	13860	Work Clamp Spreader Operating Fork Lever Stop Plate Screw ...
7071	13856	Work Clamp Spreader Operating Fork Lever Stop Plate Screw Washer .....
250285	15407	Work Clamp Spreader Operating Pawl .....
252512	13953	Work Clamp Spreader Operating Pawl Adjusting Block .....
176D	13839	Work Clamp Spreader Operating Pawl Adjusting Block Screw ...
7071	13856	Work Clamp Spreader Operating Pawl Adjusting Block Screw Washer .....
132E	15407	Work Clamp Spreader Operating Pawl Adjusting Screw .....
201669E	15407	Work Clamp Spreader Operating Pawl Adjusting Screw Nut ....
741c	13847	Work Clamp Spreader Operating Pawl Hinge Screw .....
250286	15407	Work Clamp Spreader Operating Pawl Spring .....
201314c	15407	Work Clamp Spreader Operating Pawl Stop Screw .....
252513	-----	Work Clamp Spreader Operating Pawl complete, Nos. 176D, 7071, 250285 and 252512 .....
232312	13953	Work Clamp Spreader Plate (2) ..
201121D	13953	" " " " Screw (4) .....
250287	13939	Work Clamp Spreader Releaser
203c	13860	" " " " "
		Screw .....
201314c	15407	Work Clamp Spreader Screw Stud (2) .....

No.	Plate	Name
253525	13953	Work Clamp Spreader Stop Plate
237F	13817	" " " " " "
		Screw .....
255003	13939	Work Clamp Spring .....
255016	13939	" " " Wear Plate ....
792D	13936	" " " " " Screw

## LIST OF PARTS COMPLETE

FOR

## MACHINE No. 99w95

No.	Plate	Name
*250001	---	Arm .....
204235	13811	" Position Pin (2) .....
200020F	13811	" Screw (1) .....
232488	13858	" Shaft .....
232489	13858	" " Bevel Gear (order Position Screw or Set Screw as required) .....
232244	13811	Arm Shaft Bevel Gear Position Pin
350223I	13972	" " " " " Screw
453I	13851	" " " " " Set Screw..
232002	13812	" " Bushing (back) with 202260 .....
232490	13812	Arm Shaft Bushing (front) with 202260 .....
202260		Arm Shaft Bushing Oil Packing (wick) .....
200100F	13811	Arm Shaft Bushing Screw (4) ....
232003	13858	" " Hand Wheel with two 200341c .....
200341c	13858	Arm Shaft Hand Wheel Set Screw
150D	13858	" " Screw .....
250002	13812	" Side Cover .....
200110D	13811	" " " Screw (2) .....
*252002		Bed with 250078, 255509 to 255512, two each 127D, 40025 and eight 1094E .....
250009	---	Bed End Cover .....
232025	13811	" " " Catch (2) .....
232026	13811	" " " " Position Pin (2) .....
250010	13811	Bed End Cover Catch Releaser (2)
204264	13811	" " " " " Stop Pin (2) .....
200047D	13811	Bed End Cover Catch Screw (2) ..
201531E	13972	" " " " " Nut (2)
250011	13811	" " " Support (left) ....
250012	13811	" " " " (right) .....
457c	13811	" " " " " Set Screw ..
250013	- -	" Extension .....
250397	13811	" " Position Pin (2) .....

No.	Plate	Name
134D	13811	Bed Extension Screw (4) .....
250014	13858	" Shaft .....
255521	13932	" " Bevel Gear with two 453c
232719	13853	" " " " Position Pin (2) .....
453c	13851	Bed Shaft Bevel Gear Set Screw ..
232030	13812	" " Bushing (back) with 202260 .....
202260	---	Bed Shaft Bushing (back) Oil Pack- ing (wick) .....
232821	13811	Bed Shaft Bushing (back) Oil Tube (brass) .....
230795	13811	Bed Shaft Bushing (back) Oil Tube Pin .....
200100E	13811	Bed Shaft Bushing (back) Screw (2) .....
250015	13812	Bed Shaft Bushing (front) .....
255527	13932	" " " " Oil Tube (brass) .....
250451	13972	Bed Shaft Bushing (front) Oil Tube Bracket .....
330D	13972	Bed Shaft Bushing (front) Oil Tube Bracket Screw .....
232244	13811	Bed Shaft Bushing (front) Position Pin .....
200100E	13811	Bed Shaft Bushing (front) Screw (2) .....
250017	13858	Bed Shaft Collar with two 1258E (2) .....
1258E	13858	Bed Shaft Collar Set Screw .....
232725	13811	Belt Guard .....
9D	13811	" " Screw .....
252020	15411	Buttonhole Cutting Block (steel), 2 in. (eye or taper bar) .....
350111c	13883	Buttonhole Cutting Block Pinch Screw .....
250468	13883	Buttonhole Cutting Block Pinch Screw Washer .....
990D	13883	Buttonhole Cutting Block Stop Screw .....
250020	13818	Buttonhole Cutting Carrier Cam with 200364c .....
40025	13834	Buttonhole Cutting Carrier Cam Position Pin .....
200364c	13972	Buttonhole Cutting Carrier Cam Set Screw .....
250021	13818	Buttonhole Cutting Carrier Lever with 990D, 201366c, 201524E and 201892 .....

No.	Plate	Name
50031c	13883	Buttonhole Cutting Carrier Lever Adjusting Screw Stud .....
1698c	13847	Buttonhole Cutting Carrier Lever Adjusting Screw Stud Nut .....
39541	13864	Buttonhole Cutting Carrier Lever Adjusting Screw Stud Nut Wash- er .....
250022	13883	Buttonhole Cutting Carrier Lever Adjusting Screw Stud Sleeve .....
201892	13883	Buttonhole Cutting Carrier Lever Roller .....
990D	13883	Buttonhole Cutting Carrier Lever Roller Cap Screw .....
201366c	13883	Buttonhole Cutting Carrier Lever Roller Screw Stud .....
201524E	13883	Buttonhole Cutting Carrier Lever Roller Screw Stud Nut .....
232038	13972	Buttonhole Cutting Carrier Lever Slide Block .....
250023	13972	Buttonhole Cutting Disengaging Lever .....
350233c	13972	Buttonhole Cutting Disengaging Lever Hinge Screw .....
203213	13936	Buttonhole Cutting Disengaging Lever Spring .....
250592	13972	Buttonhole Cutting Disengaging Push Rod .....
2273	13972	Buttonhole Cutting Disengaging Push Rod Pin .....
250290	13818	Buttonhole Cutting Driving Wheel with 446E .....
232043	13883	Buttonhole Cutting Driving Wheel Lock .....
232044	13883	Buttonhole Cutting Driving Wheel Lock Spring .....
200051E	13883	Buttonhole Cutting Driving Wheel Lock Spring Screw .....
228026	13859	Buttonhole Cutting Driving Wheel Lock Spring Screw Washer .....
232724	13883	Buttonhole Cutting Driving Wheel Lock Stop Plate .....
1094E	13883	Buttonhole Cutting Driving Wheel Lock Stop Plate Screw (2) .....
232150	13972	Buttonhole Cutting Driving Wheel Position Pin .....
446E	13972	Buttonhole Cutting Driving Wheel Set Screw .....
252062	15412	Buttonhole Cutting Knife (.100 x .180 eye) .....

No.	Plate	Name
250027	13883	Buttonhole Cutting Knife Adjusting Block .....
1100D	13883	Buttonhole Cutting Knife Adjusting Block Screw .....
252064	13972	Buttonhole Cutting Knife Base Plate .....
201474E	13883	Buttonhole Cutting Knife Base Plate Adjusting Screw (2) .....
1454E	13883	Buttonhole Cutting Knife Base Plate Screw .....
250475	13883	Buttonhole Cutting Knife Clamping Lever .....
350114c	13883	Buttonhole Cutting Knife Clamping Lever Hinge Screw .....
250030	13885	Buttonhole Cutting Knife Clamping Plate .....
252065	13974	Buttonhole Cutting Lever (lower) with 251269 and 251270 .....
250032	13973	Buttonhole Cutting Lever (lower) Cam with 453c .....
40025	13834	Buttonhole Cutting Lever (lower) Cam Position Pin .....
453c	13851	Buttonhole Cutting Lever (lower) Cam Set Screw .....
252066	13974	Buttonhole Cutting Lever (upper) with 232482 and two 232483 .....
252067	13973	Buttonhole Cutting Lever (upper) Cam with 453c .....
40025	13834	Buttonhole Cutting Lever (upper) Cam Position Pin .....
453c	13851	Buttonhole Cutting Lever (upper) Cam Set Screw .....
252068	13973	Buttonhole Cutting Lever Bracket with 350146E .....
250036	13885	Buttonhole Cutting Lever Bracket Gib (left) .....
250037	13885	Buttonhole Cutting Lever Bracket Gib (right) .....
232380	13885	Buttonhole Cutting Lever Bracket Gib Adjusting Plate (2) .....
219E	13856	Buttonhole Cutting Lever Bracket Gib Adjusting Plate Screw (4) ..
206482	13885	Buttonhole Cutting Lever Bracket Gib Adjusting Plate Screw Washer (4) .....
201176E	13885	Buttonhole Cutting Lever Bracket Gib Screw (6) .....
250038	13885	Buttonhole Cutting Lever Hinge Stud .....

No.	Plate	Name
350146E	13972	Buttonhole Cutting Lever Hinge Stud Set Screw .....
251268	13885	Buttonhole Cutting Lever Spring
251269	13885	" " " "
		Bracket (lower) .....
251270	13885	Buttonhole Cutting Lever Spring Bracket (lower) Pin .....
232482	13885	Buttonhole Cutting Lever Spring Bracket (upper) .....
232483	13885	Buttonhole Cutting Lever Spring Bracket (upper) Pin .....
252069	13973	Buttonhole Cutting Pressure Wedge with 232056 .....
*201155D	13816	Buttonhole Cutting Pressure Wedge Adjusting Screw .....
250538	---	Buttonhole Cutting Pressure Wedge Adjusting Screw 201155D with 2273, 201672E, 232054 and 232055
232054	13816	Buttonhole Cutting Pressure Wedge Adjusting Screw Collar .....
232055	13816	Buttonhole Cutting Pressure Wedge Adjusting Screw Collar Position Pin .....
232466	13816	Buttonhole Cutting Pressure Wedge Adjusting Screw Lock Spring ..
662D	13816	Buttonhole Cutting Pressure Wedge Adjusting Screw Lock Spring Screw .....
201672E	13816	Buttonhole Cutting Pressure Wedge Adjusting Screw Nut .....
2273	13972	Buttonhole Cutting Pressure Wedge Adjusting Screw Nut Pin .....
232056	13816	Buttonhole Cutting Pressure Wedge Boss .....
232057	13816	Buttonhole Cutting Pressure Wedge Post with 662D and 232466 .....
200122H	13816	Buttonhole Cutting Pressure Wedge Post Screw .....
250040	13957	Buttonhole Cutting Shaft .....
232383	13957	" " " " Hand Crank with 201484c .....
201468H	13816	Buttonhole Cutting Shaft Hand Crank Cap Screw .....
201484c	13816	Buttonhole Cutting Shaft Hand Crank Position Screw .....
203172	13972	Buttonhole Cutting Shaft Hand Crank Washer .....
255019	---	Buttonhole Cutting Shaft Pulley (loose) with 255021, two each 172D, 210750 and eight 232817 ..

No.	Plate	Name
232513	13816	Buttonhole Cutting Shaft Pulley Bushing .....
232817	13816	Buttonhole Cutting Shaft Pulley Stud .....
255020	13933	Buttonhole Cutting Shaft Pulley complete, Nos. 255019, two each 255022, 255023 and 350198e ....
250042	13974	Buttonhole Cutting Starting Lever with 201085c .....
232718	13973	Buttonhole Cutting Starting Lever Hinge Stud .....
200530E	13816	Buttonhole Cutting Starting Lever Hinge Stud Set Screw .....
232064	13816	Buttonhole Cutting Starting Lever Latch .....
350148D	13972	Buttonhole Cutting Starting Lever Latch Hinge Screw .....
201531E	13972	Buttonhole Cutting Starting Lever Latch Hinge Screw Nut .....
232065	13816	Buttonhole Cutting Starting Lever Latch Spring .....
201218E	13816	Buttonhole Cutting Starting Lever Latch Spring Screw Stud (2) ..
200E	13816	Buttonhole Cutting Starting Lever Latch Stop Screw .....
250043	13817	Buttonhole Cutting Starting Lever Plate .....
200577H	13817	Buttonhole Cutting Starting Lever Plate Screw (2) .....
201085c	13817	Buttonhole Cutting Starting Lever Restoring Screw Stud .....
250456	13817	Buttonhole Cutting Starting Lever Safety Plate .....
208E	13817	Buttonhole Cutting Starting Lever Safety Plate Screw (2) .....
250044	13817	Buttonhole Cutting Starting Lever Spring .....
350105E	13816	Buttonhole Cutting Starting Lever Spring Screw Stud .....
250045	13817	Buttonhole Cutting Trip Lever with 460c .....
250046	13817	Buttonhole Cutting Trip Lever Bracket .....
232154	13817	Buttonhole Cutting Trip Lever Bracket Position Pin (2) .....
161D	13817	Buttonhole Cutting Trip Lever Bracket Screw (2) .....
2049	13817	Buttonhole Cutting Trip Lever Position Pin .....

No.	Plate	Name
250047	13817	Buttonhole Cutting Trip Lever Safety Lever with 237E .....
232343	13847	Buttonhole Cutting Trip Lever Safety Lever Position Pin .....
237E	13817	Buttonhole Cutting Trip Lever Safety Lever Set Screw .....
460c	13817	Buttonhole Cutting Trip Lever Set Screw .....
250048	13817	Buttonhole Cutting Trip Lever Shaft .....
250049	13817	Buttonhole Cutting Trip Lever Spring .....
201432c	13817	Buttonhole Cutting Trip Screw Stud .....
1521J	13817	Buttonhole Cutting Trip Screw Stud Nut .....
255062	13972	Buttonhole Cutting Trip Screw Stud Shim (.010 in. thick) ....
255063	13972	Buttonhole Cutting Trip Screw Stud Shim (.025 in. thick) ....
250050	13834	Driving Wheel (loose) .....
232110	-----	" " with 200395c and two 232113 .....
232112	13834	Driving Wheel Friction Gib .....
232113	13853	" " " " Position Pin .....
8873	13972	Driving Wheel Position Pin .....
200395c	13972	" " Set Screw .....
251024	13932	" " Stop Cam .....
251025	13932	" " " " Position Collar with 4036c .....
1036c	13972	Driving Wheel Stop Cam Position Collar Set Screw .....
250417	13864	Driving Wheel Stop Cam Spring
200096D	13864	" " " " " " Position Screw .....
350073E	13972	Driving Wheel Stop Cam Stop Screw .....
232520	13812	Face Plate .....
641D	13853	" " Screw (2) .....
232521	13898	Feed Adjusting Gear .....
250052	13898	" " " Bracket .....
250053	13898	" " " " Clamp- ing Post .....
690D	13862	Feed Adjusting Gear Bracket Clamping Post Screw (2) .....
350113c	13899	Feed Adjusting Gear Bracket Clamping Screw .....
250473	13972	Feed Adjusting Gear Bracket Clamping Screw Washer .....

No.	Plate	Name
201428c	13899	Feed Adjusting Gear Screw Stud
1518j	13899	" " " " "
		Nut .....
252071	13973	Feed Driving Differential Gear (large) .....
252072	13973	Feed Driving Differential Gear (small) .....
232721	13899	Feed Driving Differential Gear Position Pin .....
201402E	13972	Feed Driving Differential Gear Set Screw .....
252073	13973	Feed Driving Differential Gear Shaft .....
250704	13973	Feed Driving Gear (intermediate) with 457c .....
252075	13973	Feed Driving Gear (intermediate) Bracket .....
250399	13972	Feed Driving Gear (intermediate) Bracket Position Pin (2) .....
143E	13972	Feed Driving Gear (intermediate) Bracket Screw (2) .....
350118c	13975	Feed Driving Gear (intermediate) Screw Stud .....
252076		Feed Wheel with three 232382 ....
250057	13825	" " Driving Pawl (3) .....
201385c	13825	" " " " Hinge Screw (3) .....
250058	13825	Feed Wheel Driving Pawl Spring (3) .....
232382	13825	Feed Wheel Driving Pawl Spring Pin .....
1449H	13825	Feed Wheel Driving Pawl Spring Screw (3) .....
350071E	13825	Feed Wheel Friction Ring Adjusting Screw .....
201522E	13825	Feed Wheel Friction Ring Adjusting Screw Lock Nut .....
232131	13825	Feed Wheel Friction Ring Adjusting Screw Washer (2) .....
250059	13826	Feed Wheel Friction Ring Bracket
200070c	13825	" " " " " Screw (2) .....
250060	13826	Feed Wheel Friction Ring Section (long) .....
250061	13826	Feed Wheel Friction Ring Section (short) .....
232135	13825	Feed Wheel Friction Ring Spring ..
232532	13957	" " Ring .....

No.	Plate	Name
250062	13825	Feed Wheel Ring Gib (3) .....
209E	13825	" " " " Screw (6) ..
201362c	13825	" " Screw Stud .....
250418	13859	Finger Starting Lever with 250435 and 250436 .....
250419	13859	Finger Starting Lever Hinge Block
350080b	13859	" " " " " Hinge Screw .....
252212	13973	Finger Starting Lever (intermediate) .....
255080		Finger Starting Lever (intermediate) Bracket with 208E and 991c
208E	13817	Finger Starting Lever (intermediate) Bracket Pinch Screw ....
158E	13859	Finger Starting Lever (intermediate) Bracket Screw .....
72b	13856	Finger Starting Lever (intermediate) Hinge Screw .....
646E	13859	Finger Starting Lever (intermediate) Operating Stud .....
251292	13975	Finger Starting Lever (intermediate) Operating Stud Collar with 646E .....
2273	13972	Finger Starting Lever (intermediate) Operating Stud Collar Position Pin .....
200097c	13859	Finger Starting Lever Screw .....
228026	13859	" " " " Washer
251518	15401	" " " Spring .....
250435	13859	" " " Stud (back) ..
250436	13859	" " " " (front) ..
232539	13899	Intermittent Feed Driving Wheel with two 465c .....
*252077		Intermittent Feed Driving Wheel Bracket .....
232244	13811	Intermittent Feed Driving Wheel Bracket Position Pin (2) .....
129E	13899	Intermittent Feed Driving Wheel Bracket Screw (4) .....
250589	13975	Intermittent Feed Driving Wheel Driving Stud .....
204648	13899	Intermittent Feed Driving Wheel Driving Stud Position Pin ....
232541	13899	Intermittent Feed Driving Wheel Position Pin .....
465c	13899	Intermittent Feed Driving Wheel Set Screw .....
232542	13899	Intermittent Feed Driving Wheel Shaft .....





No.	Plate	Name
201435c	13839	Looper Driving Disc Screw Stud ..
201704E	13839	" " " " " Nut
250098	13839	" " Gear .....
176D	13839	" " " Screw (3) .....
201898	13839	" " Roller .....
201953	----	" " " 201898 with 201144E and 250099 (2) .....
201144E	13839	Looper Driving Roller Cap Screw ..
250099	13839	" " " Stud .....
*250100	13839	" Frame .....
250462	13840	" " Chip Guard .....
232866	13840	" " Position Pin (2) .....
201082E	13840	" " Screw (3) .....
190E	13900	" Screw (2) .....
250101	13840	" " Washer (2) .....
232270	13840	" Thread and Cord Clamping Spring (long) .....
232271	13840	Looper Thread and Cord Clamping Spring (short) .....
200186B	13840	Looper Thread and Cord Clamping Spring Screw .....
232272	13840	Looper Thread and Cord Cutter
200186B	13840	" " " " " Screw .....
250425	13840	Looper Thread Controlling Cam
236D	13840	" " " " " Screw (2) .....
250426	13840	Looper Thread Controlling Lever with 201979 .....
250427	13840	Looper Thread Controlling Lever Bracket .....
183E	13840	Looper Thread Controlling Lever Bracket Screw (2) .....
50061c	13840	Looper Thread Controlling Lever Hinge Screw .....
201979	13975	Looper Thread Controlling Lever Roller and Stud .....
250428	13840	Looper Thread Controlling Lever Spring .....
1120c	13901	Looper Thread Controlling Lever Spring Screw .....
253513	15401	Looper Thread Controlling Spring
253488	15401	" " " " Stop .....
219E	13856	Looper Thread Controlling Spring Stop Screw .....

No.	Plate	Name
18859	13840	Looper Thread Guide .....
250102	13840	" " Leader .....
1423F	13840	" " " Screw .....
32012	13902	" " Tension Disc (2) ...
253530	15401	" " " Releaser ....
253531	13932	" " " " Lever
350224E	13934	" " " " " Hinge Screw .....
253532	13933	Looper Thread Tension Releaser Lever Rod .....
253535	13932	Looper Thread Tension Releaser Lever Rod Collar with 237E (2)
237E	13817	Looper Thread Tension Releaser Lever Rod Collar Set Screw ....
251170	13856	Looper Thread Tension Releaser Lever Spring .....
1550J	15401	Looper Thread Tension Releaser Nut .....
7071	13856	Looper Thread Tension Releaser Nut Washer .....
253534	13932	Looper Thread Tension Releaser Operating Cam Block with 219E
219E	13856	Looper Thread Tension Releaser Operating Cam Block Set Screw
253533	13932	Looper Thread Tension Releaser Operating Lever with 237E .....
237E	13817	Looper Thread Tension Releaser Operating Lever Set Screw ....
232515	13902	Looper Thread Tension Spring ....
1043c	13902	" " " Stud .....
171D	13902	" " " " Set Screw
1560c	13846	" " " Thumb Nut.
232516	13902	" " Tube (brass) .....
232517	13902	" " Bracket (2) ...
190D	13900	" " " " Screw (2)
251152	13972	Lower Cord Leader .....
185D	13900	" " " Screw .....
250444	13904	" " " " Washer ..
32012	13902	" " Tension Disc (2) ....
232515	13902	" " " Spring .....
637c	13934	" " " Stud .....
225604	15401	" " " " Washer ..
1560c	13846	" " " Thumb Nut ..
232516	13902	" " Tube (brass) .....
250451	13972	" " " Bracket (2) ....
250105	13903	Needle Bar Driving Crank with 200394c and two 200382c .....
40025	13834	Needle Bar Driving Crank Position Pin .....

No.	Plate	Name
200394c	15401	Needle Bar Driving Crank Set Screw .....
250106	13903	Needle Driving Bar .....
232177	13903	" " " Bushing .....
232176	13903	" " " Collar with 200083E .....
200083E	13847	Needle Driving Bar Collar Pinch Screw .....
232178	13903	Needle Driving Bar Link .....
232709	13903	" " " " Hinge Stud with 222598 .....
222598	---	Needle Driving Bar Link Hinge Stud Oil Packing (wick) .....
200382c	13903	Needle Driving Bar Link Hinge Stud Set Screw .....
250108	13903	Needle Driving Bar Swivel with 210933 .....
210933	---	Needle Driving Bar Swivel Oil Packing (wick) .....
255072	13934	Needle Guard .....
230E	13934	" " Screw .....
233D	13901	" " " (support end) .....
255073	13934	" " Support .....
251214	13903	" Holder with 904E .....
250111	15401	" " Gauge Plate .....
201482D	13903	" " " " Adjusting Screw .....
250112	13903	Needle Holder Gauge Plate Block .....
201670c	15401	" " " " " Adjusting Nut .....
201670c	15401	Needle Holder Gauge Plate Block Adjusting Nut Lock Nut .....
200124H	13903	Needle Holder Gauge Plate Screw (2) .....
208E	13817	Needle Holder Screw .....
255074	15401	" " Slide .....
250114	13903	" " " Lever with 255056 .....
201434c	13903	Needle Holder Slide Lever Hinge Screw .....
255056	13934	Needle Holder Slide Lever Pin .....
250115	13903	" " " " Stud .....
208E	13817	" " " " " Screw .....
250116	13903	Needle Holder Slide Lever Stud Screw Washer .....

No.	Plate	Name
251155	13903	Needle Holder Slide Spring .....
201225c	13903	" " " Stud .....
250117	13862	" Rotating Gear with 735E .....
250118	13862	" " " Key .....
735E	13900	" " " Set Screw .....
904E	13903	" Set Screw .....
253629	13934	" Thread Controller .....
1520J	13856	" " " Nut .....
255004	13934	" " " Spring .....
255005	---	" " " Bracket with 171E .....
255067	13934	Needle Thread Controller Spring Bracket 255005 with 231c, 252081, 255004, 255006 and 255007 .....
18587	13934	Needle Thread Controller Spring Bracket Position Pin .....
202F	13934	Needle Thread Controller Spring Bracket Screw .....
255006	13934	Needle Thread Controller Spring Stop .....
231c	13826	Needle Thread Controller Spring Stop Adjusting Screw .....
255007	13934	Needle Thread Controller Spring Thread Guide .....
252081	13934	Needle Thread Controller Stud .....
171E	13902	" " " " Set Screw .....
10145	13934	Needle Thread Guide .....
250119	13934	" " " .....
232792	13932	" " Leader .....
1664E	13934	" " " Nut .....
10106	13934	" " Retainer Disc .....
39713	13934	" " " Spring .....
996E	13934	" " " " Screw Stud .....
252081	13934	Needle Thread Retainer Stud .....
171E	13902	" " " " Set Screw .....
252082	13934	Needle Thread Retainer Tension Disc .....
252083	13932	Needle Thread Tension Bracket .....
159D	13934	" " " " Screw (2) .....
32012	13902	Needle Thread Tension Disc (2) .....
154c	13936	" " " Releasing Adjusting Screw .....
1550J	15401	Needle Thread Tension Releasing Adjusting Screw Nut .....
255008	15401	Needle Thread Tension Releasing Block with 200E .....

No.	Plate	Name
200E	13816	Needle Thread Tension Releasing Block Set Screw .....
240D	13936	Needle Thread Tension Releasing Block Stop Screw .....
32572	13846	Needle Thread Tension Releasing Disc .....
255009	13933	Needle Thread Tension Releasing Lever .....
255010	13933	Needle Thread Tension Releasing Lever Bracket .....
200346C	13936	Needle Thread Tension Releasing Lever Bracket Adjusting Screw
145E	13853	Needle Thread Tension Releasing Lever Bracket Screw (lower) ..
200062U	13936	Needle Thread Tension Releasing Lever Bracket Screw (upper) ..
35D	15401	Needle Thread Tension Releasing Lever Hinge Screw .....
255011	13936	Needle Thread Tension Releasing Lever Spring .....
39635	13846	Needle Thread Tension Releasing Pin .....
255013	13935	Needle Thread Tension Releasing Rod .....
255014	13936	Needle Thread Tension Releasing Rod Bracket .....
190D	13900	Needle Thread Tension Releasing Rod Bracket Screw (2) .....
255015	13936	Needle Thread Tension Releasing Rod Plate .....
792E	13936	Needle Thread Tension Releasing Rod Plate Screw (2) .....
208E	13817	Needle Thread Tension Releasing Rod Screw .....
13710	13846	Needle Thread Tension Spring ...
1388C	13846	" " " Stud .....
1560C	13846	" " " Thumb Nut.
250140	13848	" Vibrating Adjusting Link
741C	13847	" " " " "
		Hinge Screw .....
350076C	13847	Needle Vibrating Adjusting Stud
1671C	13847	" " " " "
		Nut .....
39532	13847	Needle Vibrating Adjusting Stud Sleeve .....
250141	13848	Needle Vibrating Bell Crank .....
250142	13848	" " " " Connection .....
*38444	---	Needle Vibrating Bell Crank Connection End Bearing (back) ....

No.	Plate	Name
38446	13847	Needle Vibrating Bell Crank Connection End Bearing 38444 with 42524, 50016C and two 175E .....
50016C	13847	Needle Vibrating Bell Crank Connection End Bearing (back) Ball Screw Stud .....
1636E	13847	Needle Vibrating Bell Crank Connection End Bearing (back) Ball Screw Stud Nut .....
*42524	---	Needle Vibrating Bell Crank Connection End Bearing (back) Cap
175E	13936	Needle Vibrating Bell Crank Connection End Bearing (back) Cap Screw .....
1698C	13847	Needle Vibrating Bell Crank Connection End Bearing (back) Check Nut .....
*38443	---	Needle Vibrating Bell Crank Connection End Bearing (front) ....
250143	13847	Needle Vibrating Bell Crank Connection End Bearing 38443 with 42525, 201449C and two 175E .....
201449C	13847	Needle Vibrating Bell Crank Connection End Bearing (front) Ball Screw .....
*42525	---	Needle Vibrating Bell Crank Connection End Bearing (front) Cap
175E	13936	Needle Vibrating Bell Crank Connection End Bearing (front) Cap Screw .....
1697C	13847	Needle Vibrating Bell Crank Connection End Bearing (front) Check Nut .....
45C	13847	Needle Vibrating Bell Crank Hinge Screw .....
250144	13848	Needle Vibrating Lever .....
255034	13936	" " " Hinge Stud
443C	13936	" " " " "
		Set Screw .....
232420	13848	Needle Vibrating Ring with 462C ..
232421	13847	" " " Guide Stud
200083E	13847	" " " " "
		Set Screw .....

No.	Plate	Name
232343	13847	Needle Vibrating Ring Position Pin
462C	13847	" " " " Set Screw ..
250145	13848	" " " " Rod .....
250146	13848	" " " " Guide with 1230E
232343	13847	" " " " Position Pin
1230E	13851	" " " " Set Screw ..
250147	13847	" " Switch .....
200308E	13847	" " " " Hinge Screw.
252130	—	Pattern Wheel, for 2 in. Eye and Straight Buttonhole .....
201668E	13904	Pattern Wheel Clamping Nut ....
250148	13904	" " Position Stud .....
250372	13904	" " Rapid Feed Trip Point
203E	13860	" " " " " " "
		Screw .....
252176	13974	Pattern Wheel Ring .....
252291	—	" " " " 252176 with 211E, 250443 and 250444 .....
250443	13904	Pattern Wheel Ring Adjusting Seg- ment .....
211E	13904	Pattern Wheel Ring Adjusting Seg- ment Screw .....
250444	13904	Pattern Wheel Ring Adjusting Seg- ment Screw Washer .....
391D	13904	Pattern Wheel Ring Screw .....
252131	13974	Pattern Wheel, for 2 in. Eye and Straight Buttonhole complete, Nos. 252130, 252291, two each 203E, 250372 and three 391D ....
250149	13974	Pattern Wheel Shaft with 250148 ..
250150	13906	" " " " Bevel Gear with 168D .....
40025	13834	Pattern Wheel Shaft Bevel Gear Position Pin .....
168D	13904	Pattern Wheel Shaft Bevel Gear Set Screw .....
250151	13906	Pattern Wheel Shaft Bushing (left)
145E	13853	" " " " " " " Screw (2) .....
250152	13906	Pattern Wheel Shaft Bushing (right) .....
647E	13853	Pattern Wheel Shaft Bushing (right) Screw (2) .....
232600	13851	Pattern Wheel Shaft Collar with two 453c .....
453C	13851	Pattern Wheel Shaft Collar Set Screw .....
250154	13851	Rapid Feed Clutch Disengaging Lever (3) .....

No.	Plate	Name
253481	13935	Rapid Feed Clutch Disengaging Sleeve .....
250156	13851	Rapid Feed Clutch Driving Disc
1230F	13851	" " " " " " Screw (4) .....
201897	13851	Rapid Feed Clutch Roller (3) ....
255095	13932	" " " " " " Carrier with 624E .....
40025	13834	Rapid Feed Clutch Roller Carrier Position Pin .....
624E	13851	Rapid Feed Clutch Roller Carrier Set Screw .....
250153	13851	Rapid Feed Clutch Roller Retainer (3) .....
208E	13817	Rapid Feed Clutch Roller Retainer Screw (3) .....
255096	13936	Rapid Feed Clutch Roller Spring (3) .....
255097	13936	Rapid Feed Clutch Roller Spring Guide Pin (3) .....
250158	13851	Rapid Feed Crank Shaft .....
250159	13851	" " " " " " Bushing (back) .....
250160	13851	Rapid Feed Crank Shaft Bushing (back) Oil Tube (lower) (brass)
250495	13851	Rapid Feed Crank Shaft Bushing (back) Oil Tube (upper) (brass)
250161	13851	Rapid Feed Crank Shaft Bushing (front) .....
436c	13851	Rapid Feed Crank Shaft Bushing Set Screw (2) .....
232600	13851	Rapid Feed Crank Shaft Collar with two 453c .....
453c	13851	Rapid Feed Crank Shaft Collar Set Screw .....
250452	13852	Rapid Feed Crank Shaft Gear with 458c .....
232719	13853	Rapid Feed Crank Shaft Gear Posi- tion Pin .....
458c	13853	Rapid Feed Crank Shaft Gear Set Screw .....
202260	—	Rapid Feed Crank Shaft Oil Pack- ing (wick) (2) .....
250163	13852	Rapid Feed Driving Gear .....
250398	15403	" " " " " " Key ...
250164	13852	" " " " Gear Guard .....
641D	13853	" " " " " " Screw (2) .
250534	13852	" " " " Intermediate Gear (bronze) .....

No.	Plate	Name
201447c	13853	Rapid Feed Intermediate Gear Screw Stud .....
1510E	13853	Rapid Feed Intermediate Gear Screw Stud Nut .....
250167	13852	Rapid Feed Intermediate Gear Screw Stud Nut Washer .....
250405	13853	Rapid Feed Intermediate Gear Screw Stud Washer .....
253536	13935	Rapid Feed Pawl Bell Crank with 202299 .....
11c	13853	Rapid Feed Pawl Bell Crank Hinge Screw .....
202299	—	Rapid Feed Pawl Bell Crank Oil Packing (wick) .....
250171	13853	Rapid Feed Pawl Bell Crank Slide Block Section (2) .....
250172	13853	Rapid Feed Pawl Guide .....
181D	13853	" " " " Screw (2)
350166c	15403	" " " " Hinge Screw ...
1655E	15403	" " " " " Nut
252266	13935	" " Slide Bar .....
250174	13852	" " " " Bushing (left)
145E	13853	" " " " " " Screw (2) .....
250175	13852	Rapid Feed Slide Bar Bushing (right) .....
647E	13853	Rapid Feed Slide Bar Bushing (right) Screw (2) .....
252269	13936	Rapid Feed Slide Bar Collar with 448c .....
40025	13834	Rapid Feed Slide Bar Collar Position Pin .....
448c	13862	Rapid Feed Slide Bar Collar Set Screw .....
252267	13935	Rapid Feed Slide Bar Fork Connection with 889c .....
253538	15403	Rapid Feed Slide Bar Fork Connection Extension Plate .....
176D	13839	Rapid Feed Slide Bar Fork Connection Extension Plate Screw (2) ..
200603E	13853	Rapid Feed Slide Bar Fork Connection Position Screw .....
201448c	15403	Rapid Feed Slide Bar Fork Connection Screw Stud .....
889c	13853	Rapid Feed Slide Bar Fork Connection Set Screw .....
252306	13935	Rapid Feed Slide Bar Lock .....
252271	13936	" " " " " " Block
232055	13816	" " " " " " " Position Pin .....

No.	Plate	Name
704E	15403	Rapid Feed Slide Bar Lock Block Screw (2) .....
350262E	13936	Rapid Feed Slide Bar Lock Hinge Screw .....
250409	15403	Rapid Feed Slide Bar Lock Spring
1241E	13895	" " " " " " " Screw Eye .....
250194	13856	Rapid Feed Slide Bar Lock Trip
56c	13856	" " " " " " " Hinge Screw .....
252273	13936	Rapid Feed Slide Bar Spring ....
350293E	13936	" " " " " " Cap Screw .....
252274	13936	Rapid Feed Slide Bar Spring Washer .....
250180	15403	Rapid Feed Starting Latch .....
199c	13901	" " " " " " Cap Screw .....
201446c	13856	Rapid Feed Starting Latch Hinge Screw Stud .....
250181	15402	Rapid Feed Starting Lever with 1454E .....
255053	13935	Rapid Feed Starting Lever (operated by stop motion) with 704c, 1454E, 203213 and 255054 .....
255064	15403	Rapid Feed Starting Lever Latch
350256c	15403	" " " " " " Hinge Screw .....
255092	15403	Rapid Feed Starting Lever Latch Spring .....
217E	13864	Rapid Feed Starting Lever Latch Spring Screw .....
253512	15403	Rapid Feed Starting Lever Latch Stop Washer .....
193D	13862	Rapid Feed Starting Lever Latch Stop Washer Screw .....
1330c	15403	Rapid Feed Starting Lever Operating Screw Stud .....
201445E	15403	Rapid Feed Starting Lever Position Screw (2) .....
1454E	13883	Rapid Feed Starting Lever Set Screw .....
250185	13855	Rapid Feed Starting Lever Shaft
250186	15403	" " " " " " Collar (left) with 200113E .....
204197	15403	Rapid Feed Starting Lever Shaft Collar (right) with 200113E ....
200113E	15403	Rapid Feed Starting Lever Shaft Collar Set Screw .....

No.	Plate	Name
250409	15403	Rapid Feed Starting Lever Spring
1241E	13895	" " " " "
		Screw Eye .....
255054	13936	Rapid Feed Starting Lever Stud ..
704C	15403	" " " " " Set
		Screw .....
203213	13936	Rapid Feed Starting Lever Stud
		Spring .....
253537	13935	Rapid Feed Starting Pawl .....
250188	15403	" " " " Spring
201454E	15403	" " " " "
		Screw Eye .....
250189	13855	Rapid Feed Starting Trip Lever
		with 1454E .....
201445E	15403	Rapid Feed Starting Trip Lever
		Position Screw .....
201437C	15403	Rapid Feed Starting Trip Lever
		Screw Stud .....
1454E	13883	Rapid Feed Starting Trip Lever
		Set Screw .....
251168	13856	Rapid Feed Tripping Pawl .....
350109C	13856	" " " " Hinge
		Screw .....
251169	13856	Rapid Feed Tripping Pawl Lever
250432	13856	" " " " "
		Bracket .....
232154	13817	Rapid Feed Tripping Pawl Lever
		Bracket Position Pin (2) .....
350110C	13856	Rapid Feed Tripping Pawl Lever
		Bracket Screw .....
14017	13856	Rapid Feed Tripping Pawl Lever
		Bracket Screw Washer .....
72C	13856	Rapid Feed Tripping Pawl Lever
		Hinge Screw .....
232083	13937	Rapid Feed Tripping Pawl Spring
1241E	13895	" " " " "
		Screw Eye .....
1242E	13937	Rapid Feed Tripping Pawl Spring
		Screw Stud .....
250195	13855	Rapid Feed Worm with 453C .....
25362	-----	" " " Ball .....
250196	13855	" " " " Bearing Cup
225007	13856	" " " " Retainer
		with eight 25362 .....
232244	13811	Rapid Feed Worm Position Pin ..
453C	13851	" " " Set Screw .....
250197	13855	" " " Wheel .....
250198	13855	" " " " Collar with
		two 453C .....

No.	Plate	Name
453C	13851	Rapid Feed Worm Wheel Collar
		Set Screw .....
202244	-----	Rapid Feed Worm Wheel Oil Pack-
		ing (wick) .....
250199	13860	Starting Bell Crank .....
3C	13860	" " " Hinge Screw ..
250200	13860	" Latch .....
648D	13860	" " Hinge Screw .....
250201	13860	" Spring .....
203E	13860	" " " Screw .....
250202	13860	" Rod .....
250203	13860	" " Block with 203E .....
2273	13972	" " " Position Pin .....
203E	13860	" " " Set Screw .....
40013	13860	" " Collar with 209C (2) ...
209C	13825	" " " Set Screw .....
250204	13860	" Lock .....
946D	13860	" " " Hinge Screw .....
250205	13860	" " " Spring .....
213D	13860	" " " " Screw .....
250206	13860	" " " " Washer
250207	13857	" " Safety Lock .....
38D	13857	" " " " Hinge Screw
226467	13857	" " " " "
		Washer .....
250423	13859	Starting Rod Spring .....
201160E	13860	" " " Screw Eye ...
250210	-----	Stitch Regulating Gear, 22 teeth ..
250211	-----	" " " 26 teeth ..
250212	13899	" " " 28 teeth ..
250598	---	" " " 30 teeth ..
250213	13899	" " " 33 teeth ..
		Note: No. 250213 is furnished with this
		Machine unless another Stitch Regulat-
		ing Gear is specified on order.
250214	13899	Stitch Regulating Gear, 34 teeth ..
250415	13899	" " " 38 teeth ..
250478	-----	" " " 42 teeth ..
201660C	13899	" " " Lock Nut.
252207	15402	" " Shaft .....
252177	15402	" " " Gear with 457C
232721	13899	" " " " Position
		Pin .....
457C	13811	Stitch Regulating Shaft Gear Set
		Screw .....
252178	15402	Stitch Rotating Lever (lower) with
		458C .....
201442E	13862	Stitch Rotating Lever (lower) Posi-
		tion Screw .....

No.	Plate	Name
201871	13862	Stitch Rotating Lever (lower) Roller
350066c	13862	Stitch Rotating Lever (lower) Roller Screw Stud
201666e	13862	Stitch Rotating Lever (lower) Roller Screw Stud Nut
458c	13853	Stitch Rotating Lever (lower) Set Screw
232591	13861	Stitch Rotating Lever (upper) with 448c
40025	13834	Stitch Rotating Lever (upper) Position Pin
448c	13862	Stitch Rotating Lever (upper) Set Screw
232807	13862	Stitch Rotating Lever Connection (front section) (lower)
232593	13862	Stitch Rotating Lever Connection (front section) (upper)
232808	13862	Stitch Rotating Lever Connection (rear section) (lower)
232592	13862	Stitch Rotating Lever Connection (rear section) (upper)
58F	13862	Stitch Rotating Lever Connection Hinge Screw (4)
172b	13862	Stitch Rotating Lever Connection Screw (lower)
193b	13862	Stitch Rotating Lever Connection Screw (upper)
39504	13862	Stitch Rotating Lever Connection Screw Washer (lower)
232717	13862	Stitch Rotating Lever Connection Screw Washer (upper)
232764	----	Stitch Rotating Lever Connection (lower) complete, Nos. 232807, 232808, two each 172b and 39504
250400	----	Stitch Rotating Lever Connection (upper) complete, Nos. 232592, 232593, 232717 and two 193b
250394	13861	Stitch Rotating Lever Rock Shaft
250216	13861	" " Sector (lower)
232597	13861	" " " " Bracket
690b	13862	" " " " " Screw
226163	13862	Stitch Rotating Sector (lower) Bracket Screw Washer
350087c	13862	Stitch Rotating Sector (lower) Hinge Screw
252204	15402	Stitch Rotating Sector (upper)
232599	13861	" " " " Bracket

No.	Plate	Name
201395b	13862	Stitch Rotating Sector (upper) Bracket Screw (2)
251026	13933	Stop Lever with 200352c
232262	13777	" " Bracket
350263e	15403	" " " Screw
250218	13777	" " Crank with 453c
40025	13834	" " " Position Pin
453c	13851	" " " Set Screw
232263	13864	" " Friction Pad (rawhide)
200110b	13811	" " " " Screw (2)
255523	15403	" " Interlocking Slide
201084c	13861	" " " " Adjusting Screw
201628f	13864	Stop Lever Interlocking Slide Adjusting Screw Nut
1178b	13864	Stop Lever Interlocking Slide Screw
232265	13864	Stop Lever Interlocking Slide Screw Washer
250416	13864	Stop Lever Interlocking Slide Spring
250219	13777	Stop Lever Link
250220	13777	" " " Connection
250221	13864	" " " " Locking Pin
250222	13864	Stop Lever Link Connection Locking Pin Spring
217b	13864	Stop Lever Link Connection Locking Pin Spring Screw (2)
350225b	13937	Stop Lever Link Connection Screw (back)
807b	13895	Stop Lever Link Connection Screw (front)
64c	13901	Stop Lever Link Hinge Screw
250223	13777	" " Operating Lever
11c	13853	" " " " Hinge Screw
250224	13864	Stop Lever Operating Plate
157c	13864	" " " " Screw
39541	13864	" " " " " Washer
40025	13834	Stop Lever Position Pin
200352c	13864	" " Set Screw
250225	13777	" " Shaft
252211	15402	" " Spring
201110b	13864	" " " Screw
250448	15403	Throat Plate, for flat purl
250447	13902	" " Adjusting Block
176b	13839	" " Screw
250560	13937	" " " Washer

No.	Plate	Name
250590	13777	Vertical Shaft with two each 204648 and 250589 .....
255522	13935	Vertical Shaft Bevel Gear (lower) with two 453c .....
232719	13853	Vertical Shaft Bevel Gear (lower) Position Pin .....
250227	13777	Vertical Shaft Bevel Gear (upper) (order Position Screw or Set Screw as required) .....
40025	13834	Vertical Shaft Bevel Gear (upper) Position Pin .....
350223E	13972	Vertical Shaft Bevel Gear Position Screw .....
453c	13851	Vertical Shaft Bevel Gear Set Screw
250396	13777	" " Bushing (lower) ...
200100E	13811	" " " " Screw (2) .....
232710	13777	Vertical Shaft Bushing (upper) ..
575c	13811	" " " " Set Screw .....
253125	15404	Work Clamp Arm (left) .....
253126	15404	" " " (right) .....
252213	13974	" " " Bracket (left) ..
252300	---	" " " " 252213 with 250551, 250552, 252200, 253666 and three 2269 .....
252214	13974	Work Clamp Arm Bracket (right)
252301	---	" " " " 252214 with 250266, 250528, 252201, 253666 and three 2269 .....
201129D	13937	Work Clamp Arm Bracket Screw (back) .....
200161D	13942	Work Clamp Arm Bracket Screw (front) (2) .....
252183	15405	Work Clamp Arm Cam with 209F (2) .....
2269	13895	Work Clamp Arm Cam Position Pin (2) .....
209F	13825	Work Clamp Arm Cam Set Screw
250552	13937	" " " " Shaft (left)
250528	13937	" " " " " (right)
201237E	13937	" " " " Stop Screw
201537H	13937	" " " " " " Nut .....
252184	13937	Work Clamp Arm Hinge Block ....
350123D	13937	" " " " " Hinge Screw .....

No.	Plate	Name
200051E	13883	Work Clamp Arm Screw .....
13218	13937	" " " Spring .....
350136E	13937	" " " " Screw ....
253496	15404	" " Base (left) with 232304
252301	- -	" " " " 253496 with 934u, 194c, 217E, 602E, 792D, 991E, 1443E, 1550J, 7071, 10249, 13218, 200051E, 200097C, 201237E, 201537H, 228026, 232306, 232311, 232312, 250236, 250241, 250418, 250419, 251518, 251519, 252184, 252187, 252202, 252277, 252300, 253125, 255003, 255016, 350080D, 350136E, two each 207E, 201121D, 201129D, 350123E and eight 934u .....
250236	15404	Work Clamp Base (left) Guard ....
934u	15405	" " " " " Screw
253497	15404	" " " (right) with 232304
252305	- -	" " " " 253497 with 934u, 602E, 792D, 991E, 1443E, 1550J, 13218, 200051E, 201237E, 201537H, 232270 to 232272, 232306, 232311, 232312, 250238, 250242, 250275, 252184, 252188, 252202, 252278, 252301, 253126, 255003, 255016, 350136E, two each 200186B, 201121D, 201129D, 350123E, four 207E and eight 934u .....
250238	15404	Work Clamp Base (right) Guard
934u	15405	" " " " " Screw .....
252187	15408	Work Clamp Base Clamping Plate (left) .....
252188	15408	Work Clamp Base Clamping Plate (right) .....
934u	15405	Work Clamp Base Clamping Plate Screw .....
232304	15405	Work Clamp Base Hinge Stud ....
232678	15405	" " " Locking Spring (left) .....
232679	15405	Work Clamp Base Locking Spring (right) .....
792D	13936	Work Clamp Base Locking Spring Screw (2) .....
39541	13864	Work Clamp Base Locking Spring Screw Washer (2) .....



No.	Plate	Name
250439	13937	Work Clamp Base Retaining Stud
250241	15405	" " " Spring (left) ..
250242	15405	" " " " (right) ..
232306	15405	" " " " (front)
232311	15405	" " " " " "
		Catch .....
350215E	15405	Work Clamp Base Spring (front)
		Catch Stud (2) .....
93H	15405	Work Clamp Base Spring (front)
		Screw .....
1443F	13937	Work Clamp Base Spring Screw
201451E	15405	" " " " " "
		Stud (2) .....
232309	15405	Work Clamp Base Stop Block (2) ..
232310	15405	" " " " " Posi- tion Pin (2) .....
201148H	15405	Work Clamp Base Stop Block
		Screw (2) .....
253502	15404	Work Clamp Carrier Base Plate
		with 250439 .....
232462	13826	Work Clamp Carrier Base Plate
		Slide Rod .....
201643E	13825	Work Clamp Carrier Base Plate
		Slide Rod Nut .....
200119D	13937	Work Clamp Carrier Base Plate
		Slide Rod Set Screw .....
250244	13826	Work Clamp Carrier Feed Lever
350185c	13937	" " " " " "
		Hinge Screw .....
252189	15405	Work Clamp Carrier Feed Lever
		Link .....
250246	13825	Work Clamp Carrier Feed Lever
		Link Block .....
50168E	13825	Work Clamp Carrier Feed Lever
		Link Block Screw (2) .....
350070c	13825	Work Clamp Carrier Feed Lever
		Link Hinge Screw (block end) ..
350216c	15405	Work Clamp Carrier Feed Lever
		Link Hinge Screw (lever end) ..
201960	—	Work Clamp Carrier Feed Lever
		Roller .....
201989	15405	Work Clamp Carrier Feed Lever
		Roller 201960 with 255075 and 350072E .....
350072E	13825	Work Clamp Carrier Feed Lever
		Roller Cap Screw .....
255075	13937	Work Clamp Carrier Feed Lever
		Roller Stud .....
255076	13937	Work Clamp Carrier Feed Lever
		Roller Stud Washer .....

No.	Plate	Name
250248	13974	Work Clamp Carrier Side Throw
		Lever with 201097c and 201530E ..
252190	15402	Work Clamp Carrier Side Throw
		Lever Bushing .....
250599	13937	Work Clamp Carrier Side Throw
		Lever Hinge Stud .....
250600	13937	Work Clamp Carrier Side Throw
		Lever Hinge Stud Collar with two 448c .....
448c	13862	Work Clamp Carrier Side Throw
		Lever Hinge Stud Collar Set Screw .....
435c	13885	Work Clamp Carrier Side Throw
		Lever Hinge Stud Set Screw ...
250250	13825	Work Clamp Carrier Side Throw
		Lever Lock Pin with 201940 and 350072E .....
201940	13825	Work Clamp Carrier Side Throw
		Lever Lock Pin Roller .....
350072E	13825	Work Clamp Carrier Side Throw
		Lever Lock Pin Roller Cap Screw
201430c	13825	Work Clamp Carrier Side Throw
		Lever Lock Pin Screw Stud ....
250251	15405	Work Clamp Carrier Side Throw
		Lever Lock Pin Spring .....
191c	13825	Work Clamp Carrier Side Throw
		Lever Lock Pin Spring Screw (2)
252208	15405	Work Clamp Carrier Side Throw
		Lever Lock Plate .....
252209	15405	Work Clamp Carrier Side Throw
		Lever Lock Plate Bracket .....
232287	13826	Work Clamp Carrier Side Throw
		Lever Lock Plate Bracket Posi- tion Pin (2) .....
203E	13860	Work Clamp Carrier Side Throw
		Lever Lock Plate Bracket Screw
232287	13826	Work Clamp Carrier Side Throw
		Lever Lock Plate Position Pin (2)
203F	13860	Work Clamp Carrier Side Throw
		Lever Lock Plate Screw (2) ....
232321	13826	Work Clamp Carrier Side Throw
		Lever Slide Block .....
250252	13826	Work Clamp Carrier Side Throw
		Lever Slide Block Guide .....
231c	13826	Work Clamp Carrier Side Throw
		Lever Slide Block Guide Screw (3) .....
201097c	13826	Work Clamp Carrier Side Throw
		Lever Slide Block Screw Stud ..



No.	Plate	Name
228026	13859	Work Clamp Closing Lever Roller Screw Stud Washer .....
250267	13891	Work Clamp Closing Lever Spring
1241E	13895	" " " " "
		Screw Eye (2) .....
991c	13891	Work Clamp Closing Lever Stop Screw .....
252199	15402	Work Clamp Closing Safety Bracket with two 453c .....
453c	13851	Work Clamp Closing Safety Bracket Set Screw .....
252200	15407	Work Clamp Connection Lever (left) with 209F .....
252201	15407	Work Clamp Connection Lever (right) with 209F .....
2269	13895	Work Clamp Connection Lever Position Pin .....
209F	13825	Work Clamp Connection Lever Set Screw .....
250270	15402	Work Clamp Opening Bell Crank with 1819 .....
659D	13895	Work Clamp Opening Bell Crank Hinge Screw .....
1819	13895	Work Clamp Opening Bell Crank Roller and Stud .....
232200	13895	Work Clamp Opening Bell Crank Spring .....
1241E	13895	Work Clamp Opening Bell Crank Spring Screw Eye .....
253680	15407	Work Clamp Opening Cam with 462c .....
12509	15407	Work Clamp Opening Cam Position Pin .....
462c	13847	Work Clamp Opening Cam Set Screw .....
250551	13895	Work Clamp Opening Lever with 1253c .....
251519	13939	Work Clamp Opening Lever Latch
253679	15407	" " " " "
		Releasing Bracket with 200E, 1547J and 350218c .....
200E	13816	Work Clamp Opening Lever Latch Releasing Bracket Set Screw ..
350218c	15407	Work Clamp Opening Lever Latch Releasing Screw .....
1547J	15407	Work Clamp Opening Lever Latch Releasing Screw Check Nut ....
10249	13939	Work Clamp Opening Lever Latch Spring .....

No.	Plate	Name
217E	13864	Work Clamp Opening Lever Latch Spring Screw .....
7071	13856	Work Clamp Opening Lever Latch Spring Screw Washer .....
194c	13856	Work Clamp Opening Lever Latch Stop Screw .....
2269	13895	Work Clamp Opening Lever Position Pin .....
1253c	13895	Work Clamp Opening Lever Set Screw .....
255077	13939	Work Clamp Opening Rod .....
255078	13939	" " " " Connection .....
255079		Work Clamp Opening Rod complete, Nos. 203c, 1662J, 250287, 255077 and 255078 .....
807D	13895	Work Clamp Opening Rod Connection Hinge Screw .....
250274	13895	Work Clamp Opening Rod Guide with 808E .....
808E	13895	Work Clamp Opening Rod Guide Pinch Screw .....
1662J	13939	Work Clamp Opening Rod Nut ...
252206	15407	" " " Stop (adjustable) (2) .....
207F	13895	Work Clamp Opening Stop Screw
250276	15407	" " Spreader (left) .....
350140D	15407	" " " " Screw
250277	15407	" " " (right) .....
201463D	15407	" " " " Screw ...
991E	13891	" " " Adjusting Screw
252202	13953	" " " " "
		Bracket .....
207F	13895	Work Clamp Spreader Adjusting Screw Bracket Screw .....
1550J	15401	Work Clamp Spreader Adjusting Screw Nut .....
250279	15404	Work Clamp Spreader Base Plate
50058D	15407	" " " " "
		Screw (2) .....
253503	15401	Work Clamp Spreader Cam .....
253504	15407	" " " " Crank with 906c .....
2269	13895	Work Clamp Spreader Cam Crank Position Pin .....
906c	13862	Work Clamp Spreader Cam Crank Set Screw .....
253505	13953	Work Clamp Spreader Connection
201453c	13953	" " " " "
		Hinge Screw .....

No.	Plate	Name
250281	13953	Work Clamp Spreader Connection Link (left) .....
253507	13953	Work Clamp Spreader Connection Link (right) .....
201452E	15407	Work Clamp Spreader Connection Link Hinge Screw (2) .....
253506	13953	Work Clamp Spreader Connection Bracket with 201981 .....
1981	13953	Work Clamp Spreader Connection Bracket Roller .....
201981	13953	Work Clamp Spreader Connection Bracket Roller 1981 with 253524
253524	15407	Work Clamp Spreader Connection Bracket Roller Stud .....
208E	13817	Work Clamp Spreader Connection Bracket Screw (2) .....
253508	13953	Work Clamp Spreader Lever (front)
940F	13953	" " " " "
		Hinge Screw .....
194C	13856	Work Clamp Spreader Lever (front) Screw Stud .....
253509	13953	Work Clamp Spreader Operating Fork Lever .....
253510	15402	Work Clamp Spreader Operating Fork Lever Connection .....
106C	13953	Work Clamp Spreader Operating Fork Lever Connection Hinge Screw (front) .....
99C	13953	Work Clamp Spreader Operating Fork Lever Connection Hinge Screw (rear) .....
350138E	13939	Work Clamp Spreader Operating Fork Lever Hinge Screw .....
255081	13939	Work Clamp Spreader Operating Fork Lever Stop Plate .....
203E	13860	Work Clamp Spreader Operating Fork Lever Stop Plate Screw ..
7071	13856	Work Clamp Spreader Operating Fork Lever Stop Plate Screw Washer .....
250285	15407	Work Clamp Spreader Operating Pawl .....
252512	13953	Work Clamp Spreader Operating Pawl Adjusting Block .....
176D	13839	Work Clamp Spreader Operating Pawl Adjusting Block Screw ..
7071	13856	Work Clamp Spreader Operating Pawl Adjusting Block Screw Washer .....

No.	Plate	Name
132E	15407	Work Clamp Spreader Operating Pawl Adjusting Screw .....
201669E	15407	Work Clamp Spreader Operating Pawl Adjusting Screw Nut .....
741E	13847	Work Clamp Spreader Operating Pawl Hinge Screw .....
250286	15407	Work Clamp Spreader Operating Pawl Spring .....
201314E	15407	Work Clamp Spreader Operating Pawl Stop Screw .....
252513	---	Work Clamp Spreader Operating Pawl complete, Nos. 176D, 7071, 250285 and 252512 .....
232312	13953	Work Clamp Spreader Plate (2) ...
201121D	13953	" " " " Screw (4) .....
250287	13939	Work Clamp Spreader Releaser
203E	13860	" " " " " Screw .....
201314C	15407	Work Clamp Spreader Screw Stud (2) .....
253525	13953	Work Clamp Spreader Stop Plate
237E	13817	" " " " " Screw .....
255003	13939	Work Clamp Spring .....
255016	13939	" " " " Wear Plate
792D	13936	" " " " " Screw .....

## ACCESSORIES

FOR MACHINE No. 99w76

No.	Plate	Name
255314	---	Buttonhole Cutting Block (steel), 1 in. eye or taper bar .....
250664	---	Buttonhole Cutting Knife (.126 x .180 eye) .....
232486	13865	Threader Wire (large) .....
250412	13865	" " (small) .....
255513	15410	Tweezers .....
142 x 5	---	Needles, six, size 17 .....
250004	13865	Bed Cushion (leather) (back) ....
250006	13865	" " " (front) .....
250007	13865	" " (rawhide) (inside) ....
250008	13865	" " " (outside) .....
158E	13859	" " Screw .....
250018	13865	" Support (left) with 250004, 250006, 250008, two 250007 and six 158E .....
250019	13865	Bed Support (right) with 250004, 250006, 250008, two 250007 and six 158E .....
250288	---	Drip Pan .....
250408	13865	Machine Rest (high) with 232982 and two wood screws 1 in., No. 13
232982	---	Machine Rest Cushion (leather) ..
120346	13865	Oiler (copper plated) with 120347
120347	13865	" Spout (9 in. long) .....
11831	13866	Screw Driver, 5 in. blade (machine, large) .....
*225484	---	Screw Driver Blade .....
*250521	---	" " " .....
*225483	---	" " Handle .....
*225485	---	" " " .....
225498	15410	Screw Driver complete (7½ in. long), Nos. 225484 and 225485 ..
250522	13866	Screw Driver complete (for needle set screw), Nos. 225483 and 250521
255093	13941	Work Position Gauge (left) .....
255094	13941	" " " (right) .....
1443E	13937	" " " Screw (2) ..
203149	13941	" " " " Washer (2) .....

No.	Plate	Name
250289	13866	Wrench, for 350111 .....
250402	13865	" " 201442 and 201445 ..
232935	13866	" " 201658, 201659 and 201670 .....
8909	13866	Wrench, for 201628 and 201660 ....
10875	13866	" " 201524 .....
23535	13866	" " 1697 and 1698 .....
25200	13866	" " 1528 and 201643 .....
42850	13866	" " 1550 .....
232900	13866	" " 201362 and 201668 ...
250211	---	Stitch Regulating Gear, 26 teeth..
250543	15410	" " " Holder ... Wood Screws 1½ in., No. 12 (4) ..

### THREAD UNWINDER

232417	13940	Spool Pin .....
225375	13940	" " (wood) .....
232895	13940	" " Arm with 759E .....
232896	13940	" " " Bracket with two 448c .....
448c	13862	Spool Pin Arm Bracket Set Screw
448c	13862	" " " Set Screw .....
250424	13940	" " Cap .....
200159E	13941	" " " Screw .....
759E	13941	" " Thumb Set Screw .....
225389	13944	" Rest (for one spool) with 201018c .....
225395	13944	Spool Rest (for two spools) with 201018c .....
232987	13944	Spool Rest Cushion (felt) .....
250453	13944	" " Rod (lower) .....
225388	13944	" " " (upper) .....
250454	13940	" " " Coupling with two 456c .....
456c	13941	Spool Rest Rod Coupling Set Screw
200383c	15409	" " " Set Screw .....
201018c	13941	" " Set Screw .....
202490	13944	" Stand with 200383c .....
225390	13940	Thread Cone Holder .....
250472	13940	" Cop Holder .....
225391	13940	" Guide .....
201696J	13941	" " Lock Nut .....
350192J	13941	" " Screw Stud .....
225393	13941	" " " " Washer ..
200164B	13941	" " Stud Set Screw .....

No.	Plate	Name
225376	---	Thread Unwinder complete, Nos. 200164b, 201696j, 202490, 225388, 225389, 225393, 225395, 250453, 250454, 250472, 350192j, three each 200159e, 225375, 225390, 232417, 232895, 232896, 232987, 250424, four 225391 and three wood screws $\frac{7}{8}$ in., No. 12 .....

## DRIVING EQUIPMENT

228628	----	Belt (gilt edge), size $\frac{5}{8}$ in. diam., length 83 in., with two 25029 ...
228629	----	Belt (gilt edge), size $\frac{3}{4}$ in. diam., length 57 in., with 25030 .....
228630	----	Belt (gilt edge), size $\frac{3}{4}$ in. diam., length 120 in., with two 25030 ..
228631	----	Belt (gilt edge), size $\frac{3}{4}$ in. diam., length 133 in., with two 25030 ..
228608	----	Belt Guard, for Bridgeport Old Style Power Table (trough), with two wood screws $\frac{3}{4}$ in., No. 10 ..
228610	----	Belt Guard, for E'port Old Style Power Table (trough), with two wood screws $\frac{3}{4}$ in., No. 10 .....
25029	15409	Belt Hook .....
25030	13941	" " .....
228565	13870	" Shifter .....
228566	13870	" " Lever with 200526c ...
228567	13871	" " " Hinge Stud .....
200335c	13871	" " " " " Set Screw .....
228632	13933	Belt Shifter Locking Spring .....
200526c	13871	" " Set Screw .....
228618	13926	Buttonhole Cutter Driving Pulley, $4\frac{1}{2}$ in. diam., with 200342c and 200347c .....
228619	13926	Buttonhole Cutter Driving Pulley Driving Pinion, 16 teeth, with 454c .....
2117	13871	Buttonhole Cutter Driving Pulley Driving Pinion Pin .....
454c	13941	Buttonhole Cutter Driving Pulley Driving Pinion Set Screw .....
200342c	13871	Buttonhole Cutter Driving Pulley Position Screw .....

No.	Plate	Name
200347c	13871	Buttonhole Cutter Driving Pulley Set Screw .....
228579	13869	Buttonhole Cutter Driving Pulley Shaft .....
228580	13869	Buttonhole Cutter Driving Pulley Shaft Bushing with 224392 ....
224392	----	Buttonhole Cutter Driving Pulley Shaft Bushing Oil Packing (wick)
350028c	13871	Buttonhole Cutter Driving Pulley Shaft Bushing Set Screw .....
228620	13926	Buttonhole Cutter Driving Pulley Shaft Gear, 48 teeth, with 448c
2117	13871	Buttonhole Cutter Driving Pulley Shaft Gear Pin .....
448c	13862	Buttonhole Cutter Driving Pulley Shaft Gear Set Screw .....
228593	13869	Counter Shaft (hollow) with 200370c and 228595 .....
210833	13871	Counter Shaft Collar with two 200383c .....
200383c	15409	Counter Shaft Collar Set Screw ..
228590	13870	" " Driving Pulley (loose), 5 in. diameter .....
228591	13870	Counter Shaft Driving Pulley (tight), 5 in. diam., with 200352c and 200363c .....
200352c	13864	Counter Shaft Driving Pulley Position Screw .....
200363c	13834	Counter Shaft Driving Pulley Set Screw .....
228601	13870	Counter Shaft Hanger with 200335c and 202244 .....
228588	13870	Counter Shaft Hanger Belt Guard (double) .....
228597	13870	Counter Shaft Hanger Belt Guard (single) .....
200002e	13871	Counter Shaft Hanger Belt Guard Screw .....
202244	----	Counter Shaft Hanger Oil Packing (wick) .....
50294e	13871	Counter Shaft Hanger Screw .....
51046e	15409	" " " " .....
41125	13871	" " " " Washer .....
228602	13871	" " Oil Cup .....
228594	----	" " " Packing Wick .....
228595	13869	" " " " " " Wire with 228594 .....
200370c	13871	Counter Shaft Oil Stop Screw ....
228592	13870	Counter Shaft Pulley, $5\frac{1}{2}$ in. diam., with 200352c and 200363c .....

No.	Plate	Name
200352c	13864	Counter Shaft Pulley Position Screw .....
200363c	13834	Counter Shaft Pulley Set Screw ..
228596	-----	Counter Shaft Hanger complete, for Old Style Power Table, Nos. 50294e, 200002e, 210833, 228565 to 228567, 228588, 228590 to 228593, 228601, 228602, 228632, two 51046e and three 41125 .....
228598	-----	Counter Shaft Hanger complete, for Singer Safety Power Table, Nos. 50294e, 200002e, 210833, 228565 to 228567, 228590 to 228593, 228597, 228601, 228602, 228632, two 51046e and three 41125 .....
228573	13870	Driving Attachment Belt Guard with 228607 .....
228607	13926	Driving Attachment Belt Guard Drain Valve .....
50075a	13871	Driving Attachment Belt Guard Thumb Screw .....
228574	13870	Driving Attachment Bracket with 11119, 228575 and four 350028c ..
228575	13871	Driving Attachment Bracket Oil Cup .....
11119	13871	Driving Attachment Bracket Oil Tube with 52045 .....
52045	-----	Driving Attachment Bracket Oil Tube Packing (cotton) .....
51046e	15409	Driving Attachment Bracket Screw
41125	13871	" " " " Washer .....
228624	13926	Driving Pulley, 6 in. diam., with 200374c and 200396c .....
200396c	13941	Driving Pulley Position Screw ....
200374c	13816	" " Set Screw .....
228625	13926	" " Shaft .....
228571	13869	" " " Bushing with 202260 .....
350028c	13871	Driving Pulley Shaft Bushing Set Screw .....
228626	13926	Driving Pulley Shaft Collar with two 200378c .....
200378c	15409	Driving Pulley Shaft Collar Set Screw .....
202260	-----	Driving Pulley Shaft Bushing Oil Packing (wick) .....

No.	Plate	Name
228627	-----	Driving Attachment complete, Nos. 50075a, 228573, 228574, 228579, 228580, 228618 to 228626, two each 2117, 228571, three each 41125, 51046e, 200050c and 214179 to 214181 .....
228578	-----	Driving Attachment and Idler complete, Nos. 228587 and 228627 ..
234342	-----	Front Plank Extension (back) with two wood screws 1½ in., No. 10 (for flat table) .....
234343	-----	Front Plank Extension (back) with three wood screws 1½ in., No. 10 and six 1½ in. wire nails, for Singer Safety Power Table (trough) .....
234349	-----	Front Plank Extension (back) with four wood screws 1½ in., No. 10, for Singer Universal Safety Power Table (flat) .....
234350	-----	Front Plank Extension (back) with six wood screws 1½ in., No. 10, for Singer Universal Safety Power Table (trough) .....
234344	-----	Front Plank Extension (front) with two wood screws 2¼ in., No. 12 and three wood screws 1¾ in., No. 12 .....
228581	13870	Idler Pulley .....
228643	13870	" " Belt Guard with 200526c
200526c	13871	" " " " Set Screw ..
228644	13870	" " Bracket with 200526c ..
200019a	13871	" " " Screw .....
228584	13869	" " Shaft with 228586 .....
228602	13871	" " " Oil Cup .....
228585	-----	" " " " Wick .....
228586	13869	" " " " " Wire with 228585 .....
200526c	13871	Idler Pulley Shaft Set Screw .....
228587	-----	Idler complete, Nos. 228584, 228602, 228644, two each 228581, 228643 and three 200019e .....
228621	13926	Machine Driving Pulley (loose), 3½ in. diameter .....
228622	13926	Machine Driving Pulley Clutch ....
214179	13941	" " " " Roller
214181	13941	" " " " " Spring .....
214180	13941	Machine Driving Pulley Clutch Roller Spring Plunger .....

No.	Plate	Name
200050c	13941	Machine Driving Pulley Clutch Screw .....
228623	13926	Machine Driving Pulley Collar with two 200364c .....
200364c	13972	Machine Driving Pulley Collar Set Screw .....
228604	—	Motor Base with four each 41125 and 50294E .....
50294E	13871	Motor Base Screw .....
41125	13871	" " " Washer .....
27068	—	Shaft Pulley (sectional, grooved), 8 in. diam., 1 $\frac{3}{8}$ in. bore, with two 597c .....
41228	—	Shaft Pulley (sectional, grooved), 5 $\frac{1}{2}$ in. diam., 1 $\frac{1}{2}$ in. bore, with two 50399E .....
597c	15409	Shaft Pulley Clamping Screw .....
50399E	15409	" " Screw .....
126865	15413	Table Belt Guide Bracket with 795c
50285R	15413	" " " " Bolt .....
126841	15413	" " " " " Clamping Plate .....
126846	15413	Table Belt Guide Bracket Bolt Washer .....
126750	15413	Table Belt Guide Pulley with 126752
126868	15413	" " " " Shaft .....
126752	15413	" " " " " Bushing .....
126869	15413	Table Belt Guide Pulley Shaft Collar with 1448c .....
1448c	15409	Table Belt Guide Pulley Shaft Collar Set Screw .....
795c	15413	Table Belt Guide Pulley Shaft Set Screw .....
126866	15413	Table Belt Guide Pulley Shaft Support Bracket with three wood screws $\frac{3}{4}$ in., No. 9, R.H.O. and A.
126870	—	Table Belt Guide complete, Nos. 50285R, 126841, 126846, 126865, 126866, 126868, two each 126750 and 126869 .....
126715	—	Transmitter Pulley (sectional, grooved), sheet metal, 5 $\frac{1}{2}$ in. diameter .....
228599	—	Driving Equipment complete, for Old Style Power Table (flat) and Singer Universal Power Table (flat), Nos. 27068, 228578, 228596, 228628, 228631, 234342, 234344 and blue print template .....

No.	Plate	Name
228600	—	Driving Equipment complete, for Singer Safety Power Table (flat), Nos. 41228, 228578, 228598, 228628, 228630, 234342, 234344 and blue print template .....
228605	—	Driving Equipment complete, for Individual Motor Table, Nos. 228627 to 228629 .....
228606	—	Driving Equipment complete, for Singer Safety Power Table (trough), Nos. 41228, 228578, 228598, 228628, 228630, 234343, 234344 and blue print template..
228609	—	Driving Equipment complete, for Bridgeport Old Style Power Table (trough) and Singer Universal Power Table (trough), Nos. 27068, 228578, 228596, 228608, 228628, 228631, 234344 and blue print template .....
228611	—	Driving Equipment complete, for E'port Old Style Power Table (trough), Nos. 27068, 228578, 228596, 228610, 228628, 228631, 234344 and blue print template..
228612	—	Driving Equipment complete, for use in connection with Electric Transmitter Motor on Power Table (flat), Nos. 228627 to 228629, 234342, 234344 and blue print template .....
228613	—	Driving Equipment complete, for use in connection with Electric Transmitter Motor on Power Table (E'port trough), Nos. 228610, 228627 to 228629, 234344 and blue print template .....
228645	—	Driving Equipment complete, for Singer Universal Safety Power Table (flat), Nos. 126715, 126870, 228627, 228628, 228630, 234349 and blue print template .....
228646	—	Driving Equipment complete, for Singer Universal Safety Power Table (trough), Nos. 126715, 126870, 228627, 228628, 228630, 234350 and blue print template..



## FOR MACHINE No. 99w77

Same as Machine No. 99w76 with the following exceptions:

No.	Plate	Name
250765	—	Buttonhole Cutting Block (steel), ¾ in. (eye or taper bar), in place of 255314 .....
250736	—	Buttonhole Cutting Knife (.126 x .180), in place of 250664 .....
250212	13899	Stitch Regulating Gear, 28 teeth, in place of 240211 .....

## FOR MACHINE No. 99w79

Same as Machine No. 99w76 with the following exceptions:

255318	15411	Buttonhole Cutting Block (steel), ¾ in. (eye or taper bar), in place of 255134 .....
252502	15412	Buttonhole Cutting Knife (.126 x .180 eye), in place of 250664 ....
142 x 1	—	Needles, six, size 17, in place of 142x5 .....
250478	—	Stitch Regulating Gear, 42 teeth, in place of 250211 .....

## FOR MACHINE No. 99w80

Same as Machine No. 99w76 with the following exceptions:

255318	15411	Buttonhole Cutting Block (steel), ¾ in. (eye or taper bar), in place of 255314 .....
252502	15412	Buttonhole Cutting Knife (.126 x .180 eye), in place of 250664 ....
142 x 1	—	Needles, six, size 17, in place of 142x5 .....
250214	13899	Stitch Regulating Gear, 34 teeth, in place of 250211 .....

## FOR MACHINE No. 99w95

Same as Machine No. 99w76 with the following exceptions:

No.	Plate	Name
252058	15411	Buttonhole Cutting Block (steel), 2 in. (straight), in place of 255314
252061	15412	Buttonhole Cutting Knife (straight), in place of 250664 .....
250214	13899	Stitch Regulating Gear, 34 teeth, in place of 250211 .....

## BUTTONHOLE CUTTING KNIVES

## FOR MACHINE No. 99w76

250662	15412	Buttonhole Cutting Knife (straight)
250663	15412	" " " (.100 x .180 eye) .....
250664	—	Buttonhole Cutting Knife (.126 x .180 eye) .....

## FOR MACHINE No. 99w77

250735	15412	Buttonhole Cutting Knife (straight)
250750	15412	" " " (.100 x .180 eye) .....
250736	—	Buttonhole Cutting Knife (.126 x .180 eye) .....

## FOR MACHINES NOS. 99w79 and 99w80

252534	—	Buttonhole Cutting Knife (.100 x .180 eye) .....
252502	15412	Buttonhole Cutting Knife (.126 x .180 eye) .....

## FOR MACHINE No. 99w95

252061	15412	Buttonhole Cutting Knife (straight)
252062	15412	" " " (.100 x .180 eye) .....

## BUTTONHOLE CUTTING BLOCKS

FOR MACHINE No. 99w76

No.	Plate	Name
255317	----	Buttonhole Cutting Block (steel), 5/8 in. (eye or taper bar) .....
255318	15411	Buttonhole Cutting Block (steel), 3/4 in. (eye or taper bar) .....
255319	----	Buttonhole Cutting Block (steel), 7/8 in. (eye or taper bar) .....
255314	----	Buttonhole Cutting Block (steel), 1 in. (eye or taper bar) .....
255316	----	Buttonhole Cutting Block (steel), 1 1/8 in. (eye or taper bar) .....
255324	----	Buttonhole Cutting Block (steel), 5/8 in. (straight) .....
255325	----	Buttonhole Cutting Block (steel), 3/4 in. (straight) .....
255326	----	Buttonhole Cutting Block (steel), 7/8 in. (straight) .....
255327	15411	Buttonhole Cutting Block (steel), 1 in. (straight) .....

FOR MACHINE No. 99w77

250766	15411	Buttonhole Cutting Block (steel), 5/8 in. (eye or taper bar) .....
250764	----	Buttonhole Cutting Block (steel), 3/4 in. (eye or taper bar) .....
250765	----	Buttonhole Cutting Block (steel), 7/8 in. (eye or taper bar) .....
250771	15411	Buttonhole Cutting Block (steel), 5/8 in. (straight) .....
250772	----	Buttonhole Cutting Block (steel), 3/4 in. (straight) .....
250773	----	Buttonhole Cutting Block (steel), 7/8 in. (straight) .....

FOR MACHINES NOS. 99w79 and 99w80

No.	Plate	Name
255317	----	Buttonhole Cutting Block (steel), 5/8 in. (eye or taper bar) .....
255318	15411	Buttonhole Cutting Block (steel), 3/4 in. (eye or taper bar) .....
255319	----	Buttonhole Cutting Block (steel), 7/8 in. (eye or taper bar) .....

FOR MACHINE No. 99w95

252003	----	Buttonhole Cutting Block (steel), 3/4 in. (eye or taper bar) .....
252004	----	Buttonhole Cutting Block (steel), 7/8 in. (eye or taper bar) .....
252006	----	Buttonhole Cutting Block (steel), 1 in. (eye or taper bar) .....
252008	----	Buttonhole Cutting Block (steel), 1 1/8 in. (eye or taper bar) .....
252010	----	Buttonhole Cutting Block (steel), 1 1/4 in. (eye or taper bar) .....
252012	----	Buttonhole Cutting Block (steel), 1 3/4 in. (eye or taper bar) .....
252014	----	Buttonhole Cutting Block (steel), 1 1/2 in. (eye or taper bar) .....
252018	----	Buttonhole Cutting Block (steel), 1 3/4 in. (eye or taper bar) .....
252020	15411	Buttonhole Cutting Block (steel), 2 in. (eye or taper bar) .....
252042	----	Buttonhole Cutting Block (steel), 3/4 in. (straight) .....
252044	----	Buttonhole Cutting Block (steel), 7/8 in. (straight) .....
252046	----	Buttonhole Cutting Block (steel), 1 in. (straight) .....
252048	----	Buttonhole Cutting Block (steel), 1 1/8 in. (straight) .....
252050	----	Buttonhole Cutting Block (steel), 1 1/4 in. (straight) .....
252052	----	Buttonhole Cutting Block (steel), 1 3/4 in. (straight) .....
252053	----	Buttonhole Cutting Block (steel), 1 1/2 in. (straight) .....
252056	----	Buttonhole Cutting Block (steel), 1 3/4 in. (straight) .....
252058	15411	Buttonhole Cutting Block (steel), 2 in. (straight) .....

## PATTERN WHEELS

FOR MACHINE No. 99w76

For Making EYELET END Buttonholes with  
LARGE and MEDIUM EYE

No.	Plate	Name
250672	---	Pattern Wheel, $\frac{5}{8}$ in., complete, Nos. 250671, 255025, two each 203E, 250372 and three 391D .....
250674	-----	Pattern Wheel, $\frac{3}{4}$ in., complete, Nos. 250673, 255309, two each 203E, 250372 and three 391D .....
250676	----	Pattern Wheel, $\frac{7}{8}$ in., complete, Nos. 250675, 255308, two each 203E, 250372 and three 391D .....
250678	-----	Pattern Wheel, 1 in. complete, Nos. 250677, 255310, two each 203E, 250372 and three 391D .....
250680	---	Pattern Wheel, $1\frac{1}{4}$ in., complete, Nos. 250679, 255311, two each 203E, 250372 and three 391D .....

For Making STRAIGHT Buttonholes

250624	---	Pattern Wheel, $\frac{5}{8}$ in., complete, Nos. 250623, 255025, two each 203E, 250372 and three 391D .....
250626	---	Pattern Wheel, $\frac{3}{4}$ in., complete, Nos. 250625, 255309, two each 203E, 250372 and three 391D .....
250638	---	Pattern Wheel, $\frac{7}{8}$ in., complete, Nos. 250637, 255308, two each 203E, 250372 and three 391D .....
250634	---	Pattern Wheel, 1 in., complete, Nos. 250633, 255310, two each 203E, 250372 and three 391D .....

For Making EYELET END Buttonholes with  
MEDIUM EYE and TAPER BAR

No.	Plate	Name
250690	---	Pattern Wheel, $\frac{5}{8}$ in., complete, bar adjustable from $\frac{1}{4}$ to $\frac{3}{8}$ in., Nos. 250689, 255307, two each 203E, 250372 and three 391D .....
250696	---	Pattern Wheel, $\frac{3}{4}$ in., complete, bar adjustable from $\frac{1}{4}$ to $\frac{3}{8}$ in., Nos. 250695, 251428, two each 203E, 250372 and three 391D .....
250698	-----	Pattern Wheel, $\frac{7}{8}$ in., complete, bar adjustable from $\frac{1}{4}$ to $\frac{1}{2}$ in., Nos. 250697, 251428, two each 203E, 250372 and three 391D .....

For Making EYELET END Buttonholes with  
LARGE EYE and TAPER BAR

255302	-----	Pattern Wheel, $\frac{5}{8}$ in., complete, bar adjustable from $\frac{1}{4}$ to $\frac{3}{8}$ in., Nos. 250732, 255301, 255307, two each 175E, 203E, 250372 and three 391D .....
255304	----	Pattern Wheel, $\frac{3}{4}$ in., complete, bar adjustable from $\frac{1}{4}$ to $\frac{3}{8}$ in., Nos. 250732, 251428, 255303, two each 175E, 203E, 250372 and three 391D .....
255306	-----	Pattern Wheel, $\frac{7}{8}$ in., complete, bar adjustable from $\frac{1}{4}$ to $\frac{1}{2}$ in., Nos. 250732, 251428, 255305, two each 175E, 203E, 250372 and three 391D .....
250671	---	Pattern Wheel, for $\frac{5}{8}$ in. Eye Buttonhole (large and medium eye), for 250672 .....
250673	---	Pattern Wheel, for $\frac{3}{4}$ in. Eye Buttonhole (large and medium eye), for 250674 .....
250675	---	Pattern Wheel, for $\frac{7}{8}$ in. Eye Buttonhole (large and medium eye), for 250676 .....
250677	---	Pattern Wheel, for 1 in. Eye Buttonhole (large and medium eye), for 250678 .....
250679	-----	Pattern Wheel, for $1\frac{1}{4}$ in. Eye Buttonhole (large and medium eye), for 250680 .....

No.	Plate	Name
250623	—	Pattern Wheel, for $\frac{5}{8}$ in. Eye and Straight Buttonhole (large eye), for 250624 .....
250625	—	Pattern Wheel, for $\frac{3}{4}$ in. Eye and Straight Buttonhole (large eye), for 250626 .....
250637	—	Pattern Wheel, for $\frac{3}{4}$ in. Eye and Straight Buttonhole (large eye), for 250638 .....
250633	—	Pattern Wheel, for 1 in. Eye and Straight Buttonhole (large eye), for 250634 .....
250689	—	Pattern Wheel, for $\frac{3}{8}$ in. Taper Bar (medium eye) Buttonhole, bar adjustable from $\frac{1}{4}$ to $\frac{3}{8}$ in., for 250690 .....
250695	—	Pattern Wheel, for $\frac{3}{4}$ in. Taper Bar (medium eye) Buttonhole, bar adjustable from $\frac{1}{4}$ to $\frac{3}{4}$ in., for 250696 .....
250697	—	Pattern Wheel, for $\frac{3}{4}$ in. Taper Bar (medium eye) Buttonhole, bar adjustable from $\frac{1}{4}$ to $\frac{1}{2}$ in., for 250698 .....
255301	—	Pattern Wheel, for $\frac{5}{8}$ in. Taper Bar (large eye) Buttonhole, bar adjustable from $\frac{1}{4}$ to $\frac{3}{8}$ in., for 255302 .....
255303	—	Pattern Wheel, for $\frac{3}{4}$ in. Taper Bar (large eye) Buttonhole, bar adjustable from $\frac{1}{4}$ to $\frac{3}{4}$ in., for 255304 .....
255305	—	Pattern Wheel, for $\frac{3}{4}$ in. Taper Bar (large eye) Buttonhole, bar adjustable from $\frac{1}{4}$ to $\frac{1}{2}$ in., for 255306 .....
250732	15402	Pattern Wheel Cam Block .....
175E	13936	" " " " Screw ..
250372	13904	" " Rapid Feed Trip Point ..
203E	13860	" " " " " " " " Screw .....
250378	—	Pattern Wheel Ring, for 255025 ..
255025	—	" " " 250378 with 211E, 250443 and 250444, for 250624 and 250672 .....
250644	—	Pattern Wheel Ring, for 255309 ..
255309	—	" " " 250644 with 211E, 250443 and 250444, for 250626 and 250674 .....
250641	—	Pattern Wheel Ring, for 255308 ..
255308	—	" " " 250641 with 211E, 250443 and 250444, for 250638 and 250676 .....

No.	Plate	Name
250646	—	Pattern Wheel Ring, for 255310 ..
255310	—	" " " 250646 with 211E, 250443 and 250444, for 250634 and 250678 .....
250647	—	Pattern Wheel Ring, for 255311 ..
255311	—	" " " 250647 with 211E, 250443 and 250444, for 250680 ..
250617	—	Pattern Wheel Ring, for 255307 ..
255307	—	" " " 250617 with 252662, 252663, two each 211E and 250444, for 250690 and 255302 ..
251496	13974	Pattern Wheel Ring (adjustable), for 251428 .....
251428	—	Pattern Wheel Ring 251496 with 252662, 252663, two each 211E and 250444, for 250696, 250698, 255304 and 255306 .....
250443	13904	Pattern Wheel Ring Adjusting Segment .....
252662	15401	Pattern Wheel Ring Adjusting Segment (curve rise) .....
252663	15401	Pattern Wheel Ring Adjusting Segment (straight drop) .....
211E	13904	Pattern Wheel Ring Adjusting Segment Screw .....
250444	13904	Pattern Wheel Ring Adjusting Segment Screw Washer .....
391D	13904	Pattern Wheel Ring Screw .....

## FOR MACHINE No. 99w77

For Making EYELET END Buttonholes with  
LARGE and MEDIUM EYE

250743	—	Pattern Wheel, $\frac{5}{8}$ in., complete, Nos. 250742, 250759, two each 203E, 250372 and three 391D .....
250745	—	Pattern Wheel, $\frac{3}{4}$ in., complete, Nos. 250744, 250760, two each 203E, 250372 and three 391D .....
250747	—	Pattern Wheel, $\frac{3}{4}$ in., complete, Nos. 250746, 250761, two each 203E, 250372 and three 391D .....



No.	Plate	Name
252649	---	Pattern Wheel, $\frac{3}{8}$ in., complete, bar adjustable from $\frac{1}{8}$ to $\frac{3}{8}$ in., Nos. 251428, 252650, two each 203E, 250372 and three 391D .....
252651	---	Pattern Wheel, $\frac{3}{8}$ in., complete, bar adjustable from $\frac{1}{8}$ to $\frac{1}{4}$ in., Nos. 251428, 252652, two each 203E, 250372 and three 391D .....

#### For Making EXTRA LARGE SIZE EYELET END TAPER

##### BAR Buttonholes with .050 inch Cutting Space

252653	----	Pattern Wheel, $\frac{5}{8}$ in., complete, bar adjustable from $\frac{1}{4}$ to $\frac{3}{8}$ in., Nos. 252654, 252661, two each 203E, 250372 and three 391D .....
252655	---	Pattern Wheel, $\frac{3}{8}$ in., complete, bar adjustable from $\frac{1}{8}$ to $\frac{3}{8}$ in., Nos. 251428, 252656, two each 203E, 250372 and three 391D .....
252657	----	Pattern Wheel, $\frac{7}{8}$ in., complete, bar adjustable from $\frac{1}{4}$ to $\frac{1}{2}$ in., Nos. 251428, 252658, two each 203E, 250372 and three 391D .....
252648	----	Pattern Wheel, for $\frac{5}{8}$ in. Taper Bar (large eye) Buttonhole, .025 in. cutting space, bar adjustable from $\frac{1}{8}$ to $\frac{3}{8}$ in., for 252647 .....
252650	----	Pattern Wheel, for $\frac{3}{8}$ in. Taper Bar (large eye) Buttonhole, .025 in. cutting space, bar adjustable from $\frac{1}{8}$ to $\frac{3}{8}$ in., for 252649 .....
252652	---	Pattern Wheel, for $\frac{7}{8}$ in. Taper Bar (large eye) Buttonhole, .025 in. cutting space, bar adjustable from $\frac{1}{4}$ to $\frac{1}{2}$ in., for 252651 .....
252654	---	Pattern Wheel, for $\frac{5}{8}$ in. Taper Bar (extra large eye) Buttonhole, .050 in. cutting space, bar adjustable from $\frac{1}{8}$ to $\frac{3}{8}$ in., for 252653 .....
252656	---	Pattern Wheel, for $\frac{3}{8}$ in. Taper Bar (extra large eye) Buttonhole, .050 in. cutting space, bar adjustable from $\frac{1}{8}$ to $\frac{3}{8}$ in., for 252655 .....
252658	---	Pattern Wheel, for $\frac{7}{8}$ in. Taper Bar (extra large eye) Buttonhole, .050 in. cutting space, bar adjustable from $\frac{1}{8}$ to $\frac{1}{2}$ in., for 252657 .....

No.	Plate	Name
250372	13904	Pattern Wheel Rapid Feed Trip Point .....
	203E 13860	Pattern Wheel Rapid Feed Trip Point Screw .....
252659	13974	Pattern Wheel Ring, for 252661 ..
252661	----	" " " 252659 with 252662, 252663, two each 211E and 250444, for 252647 and 252653 ..
251496	13974	Pattern Wheel Ring (adjustable), for 251428 .....
251428	----	Pattern Wheel Ring 251496 with 252662, 252663, two each 211E and 250444, for 252649, 252651, 252655 and 252657 .....
252662	15401	Pattern Wheel Ring Adjusting Segment (curved rise) .....
252663	15401	Pattern Wheel Ring Adjusting Segment (straight drop) .....
	211E 13904	Pattern Wheel Ring Adjusting Segment Screw .....
250444	13904	Pattern Wheel Ring Adjusting Segment Screw Washer .....
	391D 13904	Pattern Wheel Ring Screw .....

#### FOR MACHINE No. 99w80

#### For Making MEDIUM SIZE EYELET END TAPER BAR

##### Buttonholes with .025 inch Cutting Space

252809	---	Pattern Wheel, $\frac{5}{8}$ in., complete, bar adjustable from $\frac{1}{8}$ to $\frac{3}{8}$ in., Nos. 252661, 252808, two each 203E, 250372 and three 391D .....
--------	-----	---

#### For Making LARGE SIZE EYELET END TAPER BAR

##### Buttonholes with .025 inch Cutting Space

252811	13974	Pattern Wheel, $\frac{3}{8}$ in., complete, bar adjustable from $\frac{1}{8}$ to $\frac{3}{8}$ in., Nos. 251428, 252810, two each 203E, 250372 and three 391D .....
252813	---	Pattern Wheel, $\frac{7}{8}$ in., complete, bar adjustable from $\frac{1}{8}$ to $\frac{1}{2}$ in., Nos. 251428, 252812, two each 203E, 250372 and three 391D .....
252808	----	Pattern Wheel, for $\frac{5}{8}$ in. Taper Bar (medium eye) Buttonhole, bar adjustable from $\frac{1}{8}$ to $\frac{3}{8}$ in., for 252809

No.	Plate	Name
252810	---	Pattern Wheel, for $\frac{3}{4}$ in. Taper Bar (large eye) Buttonhole, bar adjustable from $\frac{1}{4}$ to $\frac{3}{4}$ in., for 252811
252812	---	Pattern Wheel, for $\frac{7}{8}$ in. Taper Bar (large eye) Buttonhole, bar adjustable from $\frac{1}{4}$ to $\frac{1}{2}$ in., for 252813
250372	13904	Pattern Wheel Rapid Feed Trip Point
203E	13860	Pattern Wheel Rapid Feed Trip Point Screw
252659	13974	Pattern Wheel Ring, for 252661
252661	---	Pattern Wheel Ring 252659 with 252662, 252663, two each 211E and 250441, for 252809
251496	13974	Pattern Wheel Ring (adjustable), for 251428
251428	---	Pattern Wheel Ring 251496 with 252662, 252663, two each 211E and 250444, for 252811 and 252813
252662	15401	Pattern Wheel Ring Adjusting Segment (curved rise)
252663	15401	Pattern Wheel Ring Adjusting Segment (straight drop)
211E	13904	Pattern Wheel Ring Adjusting Segment Screw
250444	13904	Pattern Wheel Ring Adjusting Segment Screw Washer
391D	13904	Pattern Wheel Ring Screw

## FOR MACHINE No. 99w95

## For Making EYELET END or STRAIGHT Buttonholes

252091	---	Pattern Wheel, $\frac{3}{4}$ in., complete, Nos. 252090, 252281, two each 203E, 250372 and three 391D
252095	---	Pattern Wheel, $\frac{7}{8}$ in., complete, Nos. 252094, 252282, two each 203E, 250372 and three 391D
252099	----	Pattern Wheel, 1 in., complete, Nos. 252098, 252283, two each 203E, 250372 and three 391D
252103	---	Pattern Wheel, $1\frac{1}{4}$ in., complete, Nos. 252102, 252284, two each 203E, 250372 and three 391D
252107	---	Pattern Wheel, $1\frac{1}{2}$ in., complete, Nos. 252106, 252285, two each 203E, 250372 and three 391D

No.	Plate	Name
252111	----	Pattern Wheel, $1\frac{3}{4}$ in., complete, Nos. 252110, 252286, two each 203E, 250372 and three 391D
252115	---	Pattern Wheel, $1\frac{1}{2}$ in., complete, Nos. 252114, 252287, two each 203E, 250372 and three 391D
252123	----	Pattern Wheel, for $1\frac{3}{4}$ in., complete, Nos. 252122, 252289, two each 203E, 250372 and three 391D
252131	13974	Pattern Wheel, 2 in., complete, Nos. 252130, 252291, two each 203E, 250372 and three 391D

## For Making EYELET END Buttonholes with TAPER BAR

252216	---	Pattern Wheel, $\frac{3}{4}$ in., complete, bar adjustable from $\frac{1}{4}$ to $\frac{3}{4}$ in., Nos. 252215, 252292, two each 203E, 250372 and three 391D
252218	----	Pattern Wheel, $\frac{7}{8}$ in., complete, bar adjustable from $\frac{1}{4}$ to $\frac{3}{4}$ in., Nos. 252217, 252293, two each 203E, 250372 and three 391D
252220	---	Pattern Wheel, 1 in., complete, bar adjustable from $\frac{1}{4}$ to $\frac{3}{4}$ in., Nos. 252219, 252294, two each 203E, 250372 and three 391D
252222	----	Pattern Wheel, $1\frac{1}{4}$ in., complete, bar adjustable from $\frac{1}{4}$ to $\frac{3}{4}$ in., Nos. 252221, 252295, two each 203E, 250372 and three 391D
252224	---	Pattern Wheel, $1\frac{1}{2}$ in., complete, bar adjustable from $\frac{1}{4}$ to $\frac{3}{4}$ in., Nos. 252223, 252296, two each 203E, 250372 and three 391D
252226	---	Pattern Wheel, $1\frac{3}{4}$ in., complete, bar adjustable from $\frac{1}{4}$ to $\frac{3}{4}$ in., Nos. 252225, 252297, two each 203E, 250372 and three 391D
252228	----	Pattern Wheel, $1\frac{1}{2}$ in., complete, bar adjustable from $\frac{1}{4}$ to $\frac{3}{4}$ in., Nos. 252227, 252298, two each 203E, 250372 and three 391D
252232	----	Pattern Wheel, $1\frac{3}{4}$ in., complete, bar adjustable from $\frac{1}{4}$ to $\frac{1}{2}$ in., Nos. 252231, 252299, two each 203E, 250372 and three 391D
252090	----	Pattern Wheel, for $\frac{3}{4}$ in. Eye and Straight Buttonhole, for 252091..

No.	Plate	Name
252094	-----	Pattern Wheel, for $\frac{3}{4}$ in. Eye and Straight Buttonhole, for 252095..
252098	-----	Pattern Wheel, for 1 in. Eye and Straight Buttonhole, for 252099..
252102	-----	Pattern Wheel, for $1\frac{1}{4}$ in. Eye and Straight Buttonhole, for 252103..
252106	-----	Pattern Wheel, for $1\frac{1}{2}$ in. Eye and Straight Buttonhole, for 252107..
252110	-----	Pattern Wheel, for $1\frac{3}{4}$ in. Eye and Straight Buttonhole, for 252111..
252114	-----	Pattern Wheel, for $1\frac{1}{2}$ in. Eye and Straight Buttonhole, for 252115..
252122	-----	Pattern Wheel, for $1\frac{3}{4}$ in. Eye and Straight Buttonhole, for 252123..
252130	-----	Pattern Wheel, for 2 in. Eye and Straight Buttonhole, for 252131..
252215	-----	Pattern Wheel, for $\frac{3}{4}$ in. Taper Bar Buttonhole, bar adjustable from $\frac{1}{4}$ to $\frac{3}{4}$ in., for 252216 .....
252217	-----	Pattern Wheel, for $\frac{3}{4}$ in. Taper Bar Buttonhole, bar adjustable from $\frac{1}{4}$ to $\frac{3}{4}$ in., for 252218 .....
252219	-----	Pattern Wheel, for 1 in. Taper Bar Buttonhole, bar adjustable from $\frac{1}{4}$ to $\frac{3}{4}$ in., for 252220 .....
252221	-----	Pattern Wheel, for $1\frac{1}{4}$ in. Taper Bar Buttonhole, bar adjustable from $\frac{1}{4}$ to $\frac{3}{4}$ in., for 252222 .....
252223	-----	Pattern Wheel, for $1\frac{1}{2}$ in. Taper Bar Buttonhole, bar adjustable from $\frac{1}{4}$ to $\frac{3}{4}$ in., for 252224 .....
252225	-----	Pattern Wheel, for $1\frac{3}{4}$ in. Taper Bar Buttonhole, bar adjustable from $\frac{1}{4}$ to $\frac{3}{4}$ in., for 252226 .....
252227	-----	Pattern Wheel, for $1\frac{1}{2}$ in. Taper Bar Buttonhole, bar adjustable from $\frac{1}{4}$ to $\frac{3}{4}$ in., for 252228 .....
252231	-----	Pattern Wheel, for $1\frac{3}{4}$ in. Taper Bar Buttonhole, bar adjustable from $\frac{1}{4}$ to $\frac{3}{4}$ in., for 252232 .....
250372	13904	Pattern Wheel Rapid Feed Trip Point .....
	203E 13860	Pattern Wheel Rapid Feed Trip Point Screw .....
252156	-----	Pattern Wheel Ring, for 252281 ..
252281	-----	" " " 252156 with 211E, 250443 and 250444, for 252091
252158	-----	Pattern Wheel Ring, for 252282 ..
252282	-----	" " " 252158 with 211E, 250443 and 250444, for 252095

No.	Plate	Name
252160	-----	Pattern Wheel Ring, for 252283 ..
252283	-----	" " " 252160 with 211E, 250443 and 250444, for 252099
252162	-----	Pattern Wheel Ring, for 252284 ..
252284	-----	" " " 252162 with 211E, 250443 and 250444, for 252103
252164	-----	Pattern Wheel Ring, for 252285 ..
252285	-----	Pattern Wheel Ring 252164 with 211E, 250443 and 250444, for 252107
252166	-----	Pattern Wheel Ring, for 252286 ..
252286	-----	" " " 252166 with 211E, 250443 and 250444, for 252111
252168	-----	Pattern Wheel Ring, for 252287 ..
252287	-----	" " " 252168 with 211E, 250443 and 250444, for 252115
252172	-----	Pattern Wheel Ring, for 252289 ..
252289	-----	" " " 252172 with 211E, 250443 and 250444, for 252123
252176	13974	Pattern Wheel Ring, for 252291 ..
252291	-----	" " " 252176 with 211E, 250443 and 250444, for 252131
252258	-----	Pattern Wheel Ring (adjustable), for 252292 .....
252292	-----	Pattern Wheel Ring 252258 with 252275, 252276, two each 211E and 250444, for 252216 .....
252259	-----	Pattern Wheel Ring (adjustable), for 252293 .....
252293	-----	Pattern Wheel Ring 252259 with 252275, 252276, two each 211E and 250444, for 252218 .....
252260	-----	Pattern Wheel Ring (adjustable), for 252294 .....
252294	-----	Pattern Wheel Ring 252260 with 252275, 252276, two each 211E and 250444, for 252220 .....
252261	-----	Pattern Wheel Ring (adjustable), for 252295 .....
252295	-----	Pattern Wheel Ring 252261 with 252275, 252276, two each 211E and 250444, for 252222 .....
252262	-----	Pattern Wheel Ring (adjustable), for 252296 .....
252296	-----	Pattern Wheel Ring 252262 with 252275, 252276, two each 211E and 250444, for 252224 .....
252263	-----	Pattern Wheel Ring (adjustable), for 252297 .....



No.	Plate	Name
252297	---	Pattern Wheel Ring 252263 with 252275, 252276, two each 211e and 250444, for 252226 .....
252264	---	Pattern Wheel Ring (adjustable), for 252298 .....
252298	---	Pattern Wheel Ring 252264 with 252275, 252276, two each 211e and 250444, for 252228 .....
252265	---	Pattern Wheel Ring (adjustable), for 252299 .....
252299	---	Pattern Wheel Ring 252265 with 252275, 252276, two each 211e and 250444, for 252232 .....
250443	13904	Pattern Wheel Ring Adjusting Segment .....
252275	15409	Pattern Wheel Ring Adjusting Segment (curved rise) .....
252276	15409	Pattern Wheel Ring Adjusting Segment (straight drop) .....
211e	13904	Pattern Wheel Ring Adjusting Segment Screw .....
250444	13904	Pattern Wheel Ring Adjusting Segment Screw Washer .....
391b	13904	Pattern Wheel Ring Screw .....

## PATTERN WHEEL CABINET

250403	---	Pattern Wheel Cabinet .....
--------	-----	-----------------------------

## KNIFE TRUEING FIXTURE

232870	13874	Knife Trueing Fixture Base with 448c .....
232871	----	Knife Trueing Fixture Base 232870 with 59d, 232872 and 232876 .....
232875	---	Knife Trueing Fixture Oil Stone Bracket 232874 with 232873 and 232877 .....
232872	13874	Knife Trueing Fixture Knife Clamping Lever .....
59d	13874	Knife Trueing Fixture Knife Clamping Lever Hinge Screw .....

No.	Plate	Name
232873	13874	Knife Trueing Fixture Oil Stone
232874	13874	" " " " " " Bracket with three 448c .....
232876	13874	Knife Trueing Fixture Oil Stone Bracket Shaft .....
448c	13862	Knife Trueing Fixture Oil Stone Bracket Shaft Set Screw .....
448c	13862	Knife Trueing Fixture Oil Stone Set Screw .....
232877	13874	Knife Trueing Fixture Oil Stone Set Screw Friction Gib .....
232878	----	Singer Knife Trueing Fixture complete, Nos. 232871 and 232875 ..

## THREAD LUBRICATING CUP

250518	13942	Thread Lubricating Cup with 171e, 250519 and 250520 .....
250519	---	Thread Lubricating Cup Oil Pad (felt) .....
171e	13902	Thread Lubricating Cup Pinch Screw .....
250520	----	Thread Lubricating Cup Thread Guide .....

## THROAT PLATES

250226	---	Throat Plate, for pyramid purl, for Machines Nos. 99w76, 99w77 and 99w95 .....
250448	15403	Throat Plate, for flat purl, for Machines Nos. 99w76, 99w77 and 99w95 .....
252528	15403	Throat Plate, for flat purl, for Machine No. 99w79 .....
251368	13902	Throat Plate, for soft material, for Machine No. 99w80 .....

## SHAFT PULLEYS

For Singer Safety Power Table

No.	Plate	Name
41219	—	Shaft Pulley (sectional, grooved), 3 in. diam., $\frac{1}{8}$ in. bore (for Table Shaft), with two 50399E .....
41220	—	Shaft Pulley (sectional, grooved), 3 $\frac{1}{4}$ in. diam., $\frac{1}{8}$ in. bore (for Table Shaft), with two 50399E .....
41221	—	Shaft Pulley (sectional, grooved), 3 $\frac{1}{2}$ in. diam., $\frac{1}{8}$ in. bore (for Table Shaft), with two 50399E .....
41222	—	Shaft Pulley (sectional, grooved), 3 $\frac{3}{4}$ in. diam., $\frac{1}{8}$ in. bore (for Table Shaft), with two 50399E .....
41223	—	Shaft Pulley (sectional, grooved), 4 in. diam., $\frac{1}{8}$ in. bore (for Table Shaft), with two 50399E .....
41224	—	Shaft Pulley (sectional, grooved), 4 $\frac{1}{4}$ in. diam., $\frac{1}{8}$ in. bore (for Table Shaft), with two 50399E .....
41228	—	Shaft Pulley (sectional, grooved), 5 $\frac{1}{4}$ in. diam., $\frac{1}{8}$ in. bore, with two 50399E .....
50399E	15409	Shaft Pulley Screw .....

For Low Shaft Table

27271	—	Shaft Pulley (sectional, grooved), 4 in. diam., $1\frac{1}{8}$ in. bore, with two 597c .....
232920	—	Shaft Pulley (sectional, grooved), 4 $\frac{1}{2}$ in. diam., $1\frac{1}{8}$ in. bore, with two 597c .....
27065	—	Shaft Pulley (sectional, grooved), 5 in. diam., $1\frac{1}{8}$ in. bore, with two 597c .....
232879	—	Shaft Pulley (sectional, grooved), 5 $\frac{1}{2}$ in. diam., $1\frac{1}{8}$ in. bore, with two 597c .....
27066	—	Shaft Pulley (sectional, grooved), 6 in. diam., $1\frac{1}{8}$ in. bore, with two 597c .....

No.	Plate	Name
232880	—	Shaft Pulley (sectional, grooved), 6 $\frac{1}{2}$ in. diam., $1\frac{1}{8}$ in. bore, with two 597c .....
27067	—	Shaft Pulley (sectional, grooved), 7 in. diam., $1\frac{1}{8}$ in. bore, with two 597c .....
232881	—	Shaft Pulley (sectional, grooved), 7 $\frac{1}{2}$ in. diam., $1\frac{1}{8}$ in. bore, with two 597c .....
27068	—	Shaft Pulley (sectional, grooved), 8 in. diam., $1\frac{1}{8}$ in. bore, with two 597c .....
232882	—	Shaft Pulley (sectional, grooved), 8 $\frac{1}{2}$ in. diam., $1\frac{1}{8}$ in. bore, with two 597c .....
27069	—	Shaft Pulley (sectional, grooved), 9 in. diam., $1\frac{1}{8}$ in. bore, with two 597c .....
232883	—	Shaft Pulley (sectional, grooved), 9 $\frac{1}{2}$ in. diam., $1\frac{1}{8}$ in. bore, with two 597c .....
27070	—	Shaft Pulley (sectional, grooved), 10 in. diam., $1\frac{1}{8}$ in. bore, with two 597c .....
27072	—	Shaft Pulley (sectional, grooved), 12 in. diam., $1\frac{1}{8}$ in. bore, with two 597c .....
27074	—	Shaft Pulley (sectional, grooved), 14 in. diam., $1\frac{1}{8}$ in. bore, with two 597c .....
27075	—	Shaft Pulley (sectional, grooved), 15 in. diam., $1\frac{1}{8}$ in. bore, with two 597c .....
597c	15409	Shaft Pulley Clamping Screw ....

## TRANSMITTER PULLEYS

For Singer Universal Safety Power Table

No.	Plate	Name
126713	---	Transmitter Pulley (sectional, grooved), sheet metal, 4 $\frac{3}{4}$ in. diameter .....
126714	15413	Transmitter Pulley (sectional, grooved), sheet metal, 5 in. diameter .....
126715	---	Transmitter Pulley (sectional, grooved), sheet metal, 5 $\frac{1}{4}$ in. diameter .....
126716	---	Transmitter Pulley (sectional, grooved), sheet metal, 5 $\frac{1}{2}$ in. diameter .....
126717	---	Transmitter Pulley (sectional, grooved), sheet metal, 5 $\frac{3}{4}$ in. diameter .....

## OBSOLETE PARTS

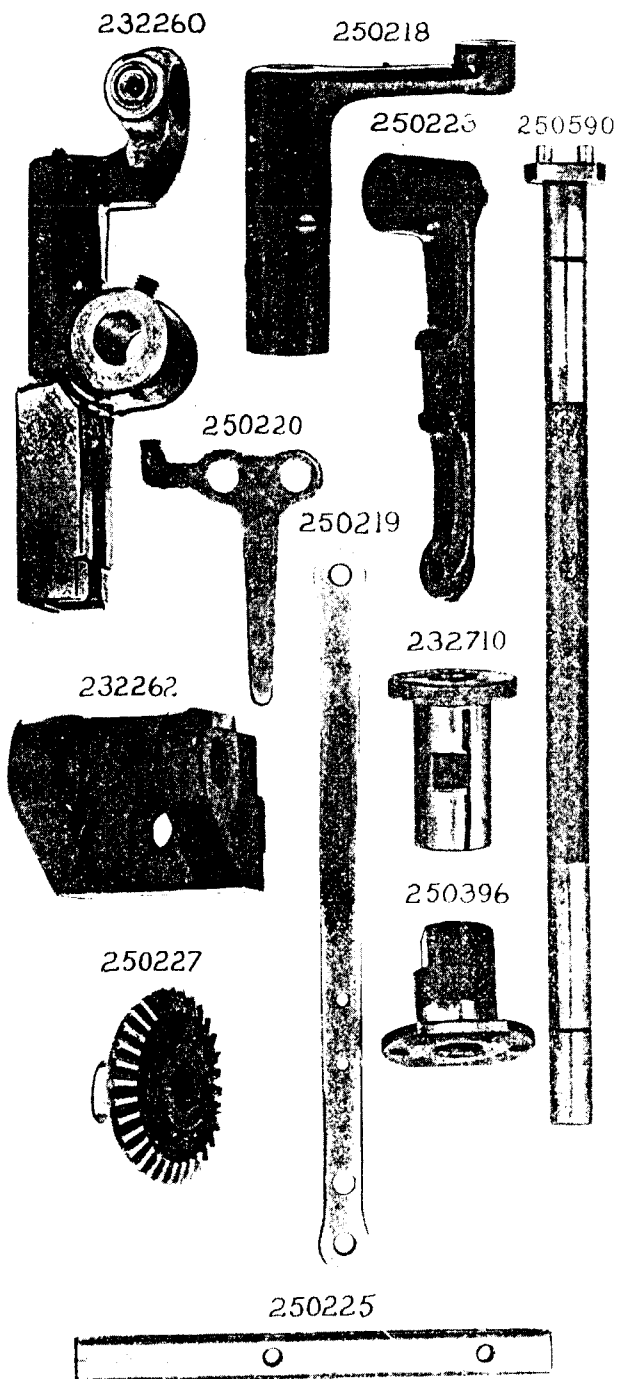
No.	Plate	Name
232495	13858	Bed Shaft Bevel Gear (order Position Screw or Set Screw as required) .....
250291	15410	Driving Wheel Stop Cam .....
250113	15409	Needle Holder Slide .....
232194	15409	" Thread Nipping Block ....
200397H	15409	" " " " Set Screw .....
250120	15409	Needle Thread Nipping Cam with 460c .....
12509	15407	Needle Thread Nipping Cam Position Pin .....
460c	13817	Needle Thread Nipping Cam Set Screw .....
250122	13875	Needle Thread Nipping Lever with 200075c, 200139E, 201103c, 201534E, 201535E, 201869 and 250123 .....
200075c	15409	Needle Thread Nipping Lever Adjusting Screw .....
201535E	15409	Needle Thread Nipping Lever Adjusting Screw Nut .....
1248c	15409	Needle Thread Nipping Lever Hinge Screw .....
201869	15409	Needle Thread Nipping Lever Roller .....
200139E	13846	Needle Thread Nipping Lever Roller Cap Screw .....
201103c	15409	Needle Thread Nipping Lever Roller Stud .....
201534E	15409	Needle Thread Nipping Lever Roller Stud Nut .....
250123	13875	Needle Thread Nipping Lever Roller Stud Washer .....
232196	15409	Needle Thread Nipping Post .....
200688E	---	" " " " Guide Screw .....
232197	15409	Needle Thread Nipping Post Spring .....
250741	---	Needle Thread Retainer complete, Nos. 1620E, 12400, 12402, 39713 and 250740 .....
250740	15409	Needle Thread Retainer Holder with 462c .....

From the library of: Diamond Needle Corp

No.	Plate	Name
1620E	15409	Needle Thread Retainer Holder Nut
12400	15409	" " " Sleeve .....
39713	13934	" " " Spring .....
12402	15409	" " " Stud .....
462C	13847	" " " " Set Screw
250126	15410	" " Take-up with 735c ..
12509	15407	" " " Position Pin ..
735C	13900	" " " Set Screw ....
250127	15410	" " " Shaft .....
250128	13875	" " " " Bracket
250399	13972	" " " " "
		Position Pin .....
232673	15410	Needle Thread Take-up Shaft Gear
40025	13834	" " " " " "
		Position Pin .....
448C	13862	Needle Thread Take-up Shaft Gear Set Screw .....
250129	13875	Needle Thread Take-up Spring ....
201440E	15409	" " " " Screw
		Stud .....
250130	13875	Needle Thread Take-up Spring Stop Plate .....
233D	13901	Needle Thread Take-up Spring Stop Plate Screw .....
250131	13875	Needle Thread Take-up Thread Guide .....
250132	13875	Needle Thread Take-up Thread Guide Hinge Pin .....
250133	13875	Needle Thread Take-up Thread Guide Spring Latch .....
233D	13901	Needle Thread Take-up Thread Guide Spring Latch Screw .....
250134	13875	Needle Thread Take-up Thread Stripper .....
233D	13901	Needle Thread Take-up Thread Stripper Screw .....
250135	13875	Needle Thread Tension Releaser Arm .....
250136	13875	Needle Thread Tension Releaser Arm Plate .....
220E	15409	Needle Thread Tension Releaser Arm Plate Screw .....
250139	13875	Needle Thread Tension Thread Guide .....
250739	15409	Needle Thread Tension Thread Guide .....
1620E	15409	Needle Thread Tension Thread Guide Lock Nut .....
250155	13851	Rapid Feed Clutch Disengaging Sleeve .....

No.	Plate	Name	
250157	13851	Rapid Feed Clutch Roller Carrier with 624E .....	
232531	13851	Rapid Feed Clutch Roller Spring	
250170	13853	" " Pawl Bell Crank with 202299 .....	
201441C	13853	Rapid Feed Pawl Hinge Screw ....	
201667C	13853	" " " " " Nut	
250173	13852	Rapid Feed Slide Bar .....	
250176	13853	" " " " Fork Con- nection with 889c .....	
253482	15409	Rapid Feed Slide Bar Fork Con- nection Extension Plate .....	
	190D	13900	Rapid Feed Slide Bar Fork Con- nection Extension Plate Screw ..
350166C	15403	Rapid Feed Slide Bar Lock Hinge Screw .....	
250188	15403	Rapid Feed Slide Bar Spring .....	
250737	15409	Throat Plate with 200589D and 250738 .....	
250738	15409	Throat Plate Needle Thread Cutter	
200589D	15409	" " " " " "	
		Screw .....	
232495	13858	Vertical Shaft Bevel Gear (order Position Screw or Set Screw as required) .....	
251351	15410	Work Clamp Arm (left) .....	
251352	15410	" " " (right) .....	

PLATE 13777—ONE-HALF SIZE



From the library of: Diamond Needle Corp

PLATE 13811—FULL SIZE

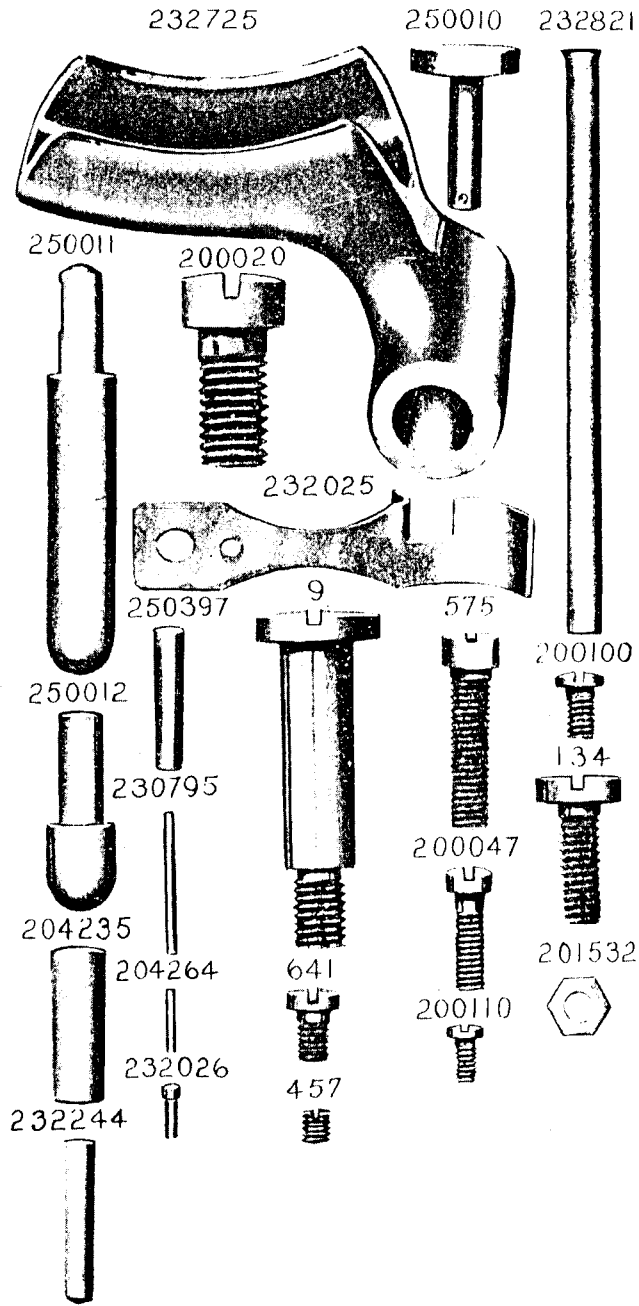
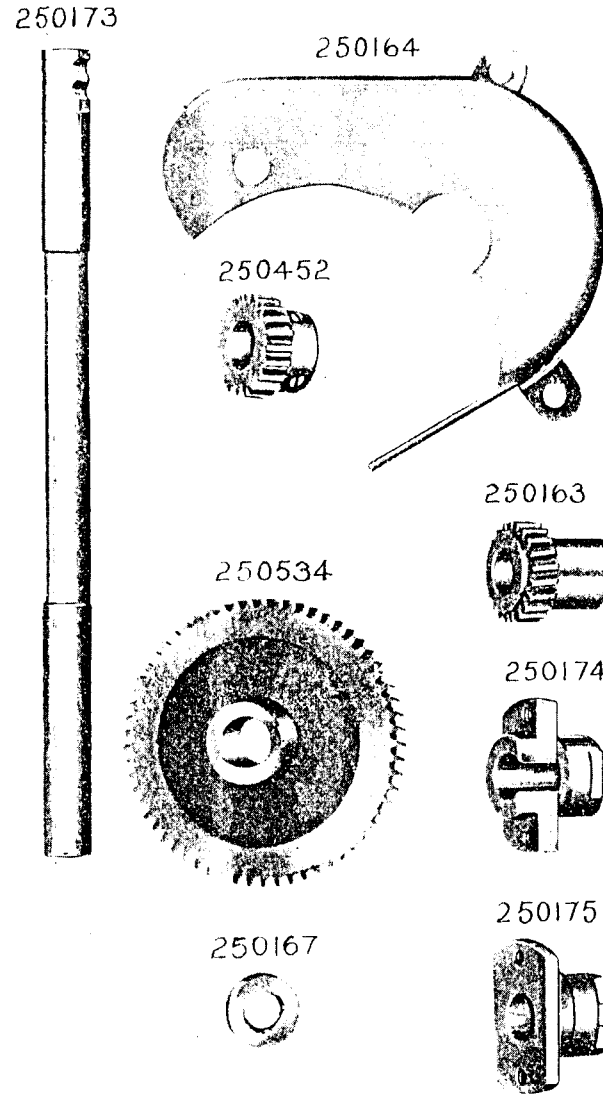


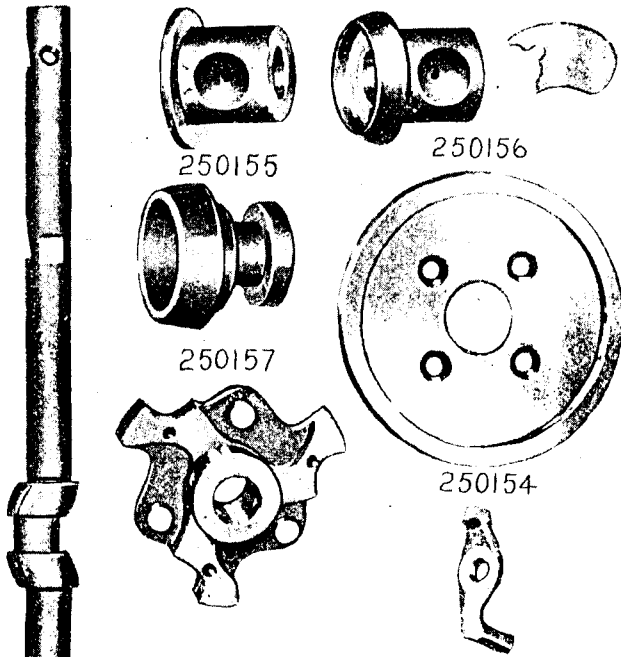
PLATE 13852—ONE-HALF SIZE



From the library of: Diamond Needle Corp

PLATE 13851—ONE-HALF SIZE

250158 250159 250161 250153



FULL SIZE

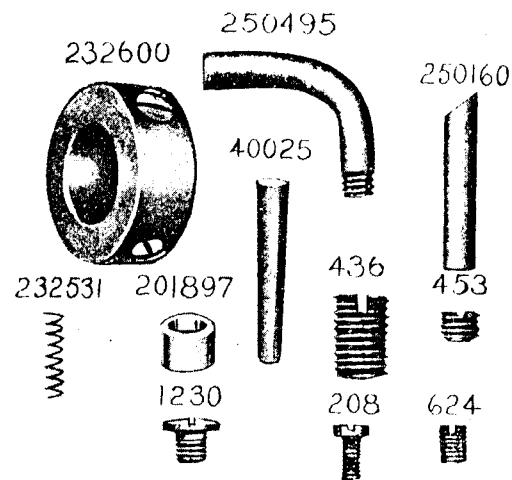
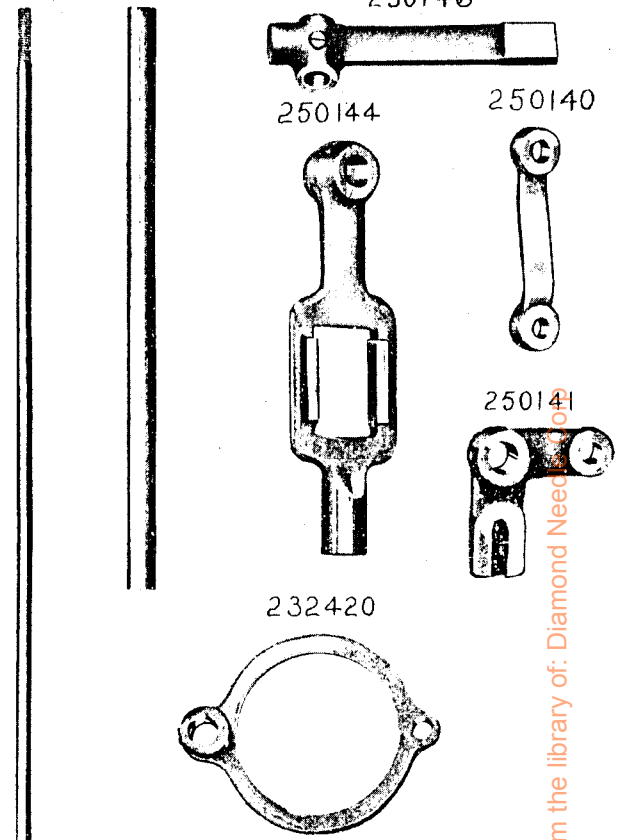


PLATE 13848—ONE-HALF SIZE

250142 250145



From the library of: Diamond Needles Co.

PLATE 13847—FULL SIZE

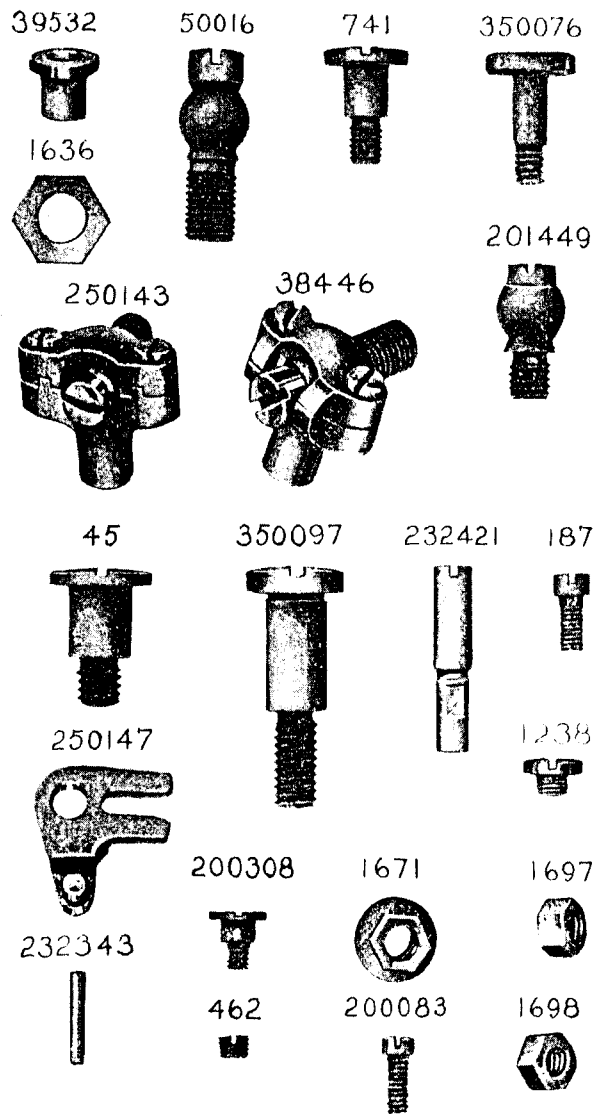
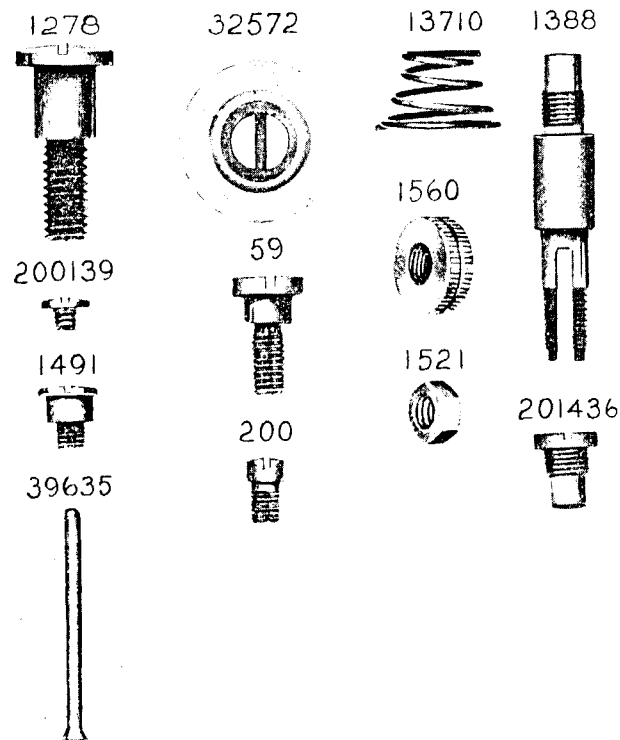


PLATE 13846—FULL SIZE

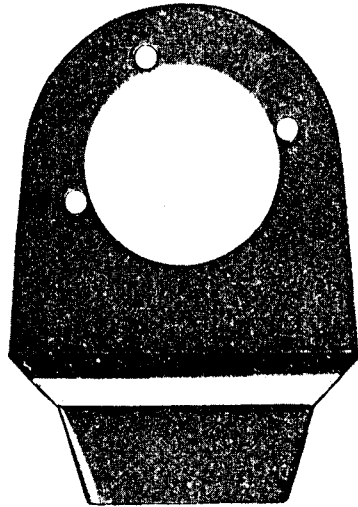


From the library of: Diamond Needle Corp

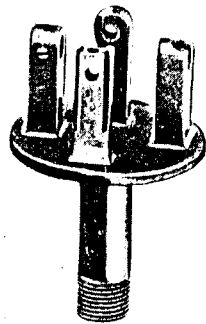


PLATE 13842—ONE-HALF SIZE

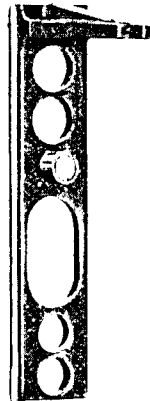
250082



250081



250075



250069

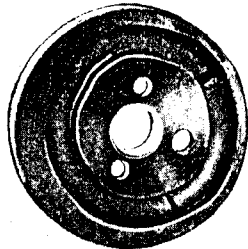
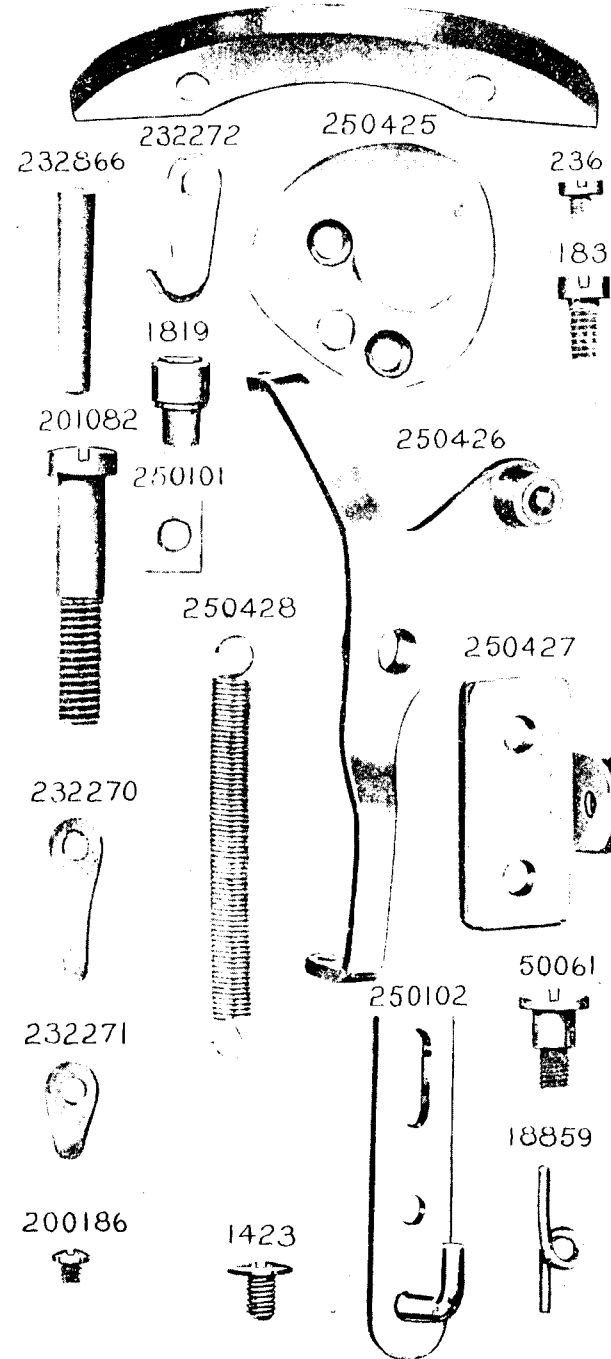


PLATE 13840—FULL SIZE

250462



232866

232272

250425

236

183

1819

201082

250101

250426

250428

250427

232270

232271

200186

1423

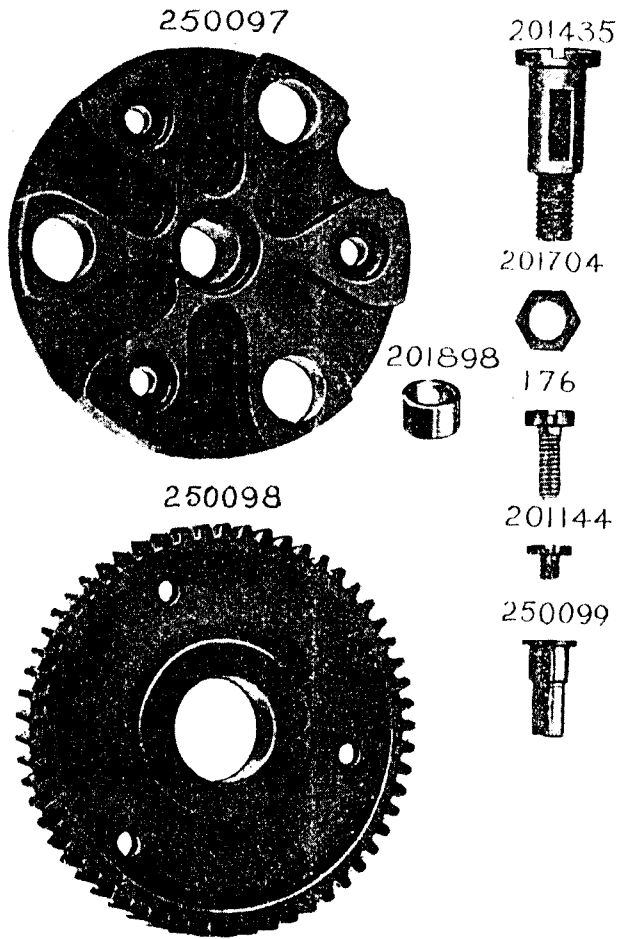
250102

50061

18859

From the library of: Diamond Needle Corp

PLATE 13839—FULL SIZE



250100  
ONE-HALF SIZE

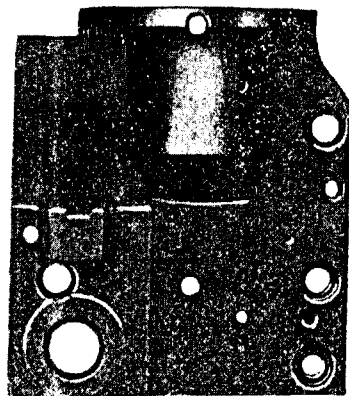
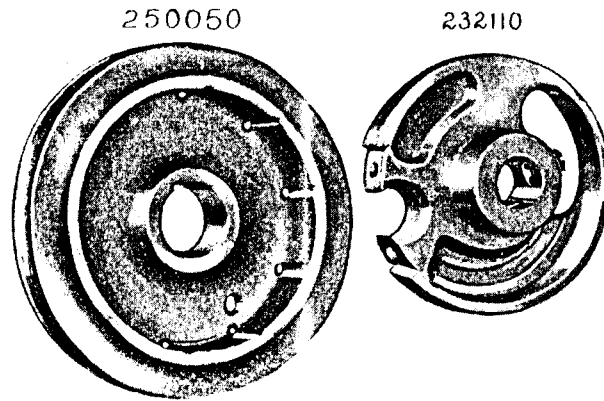


PLATE 13834—ONE-HALF SIZE



— FULL SIZE —

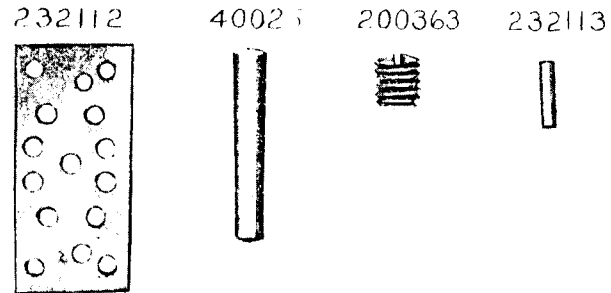
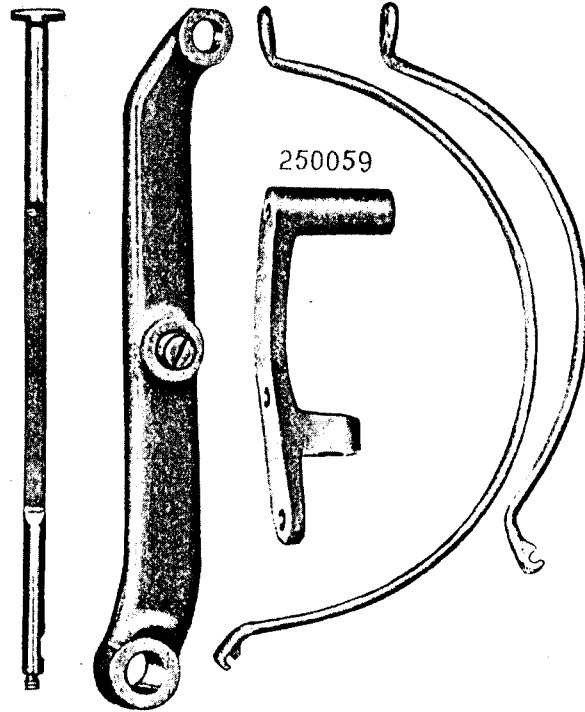


PLATE 13826—ONE-HALF SIZE

232462 250244 250060 250061



250059

250252



FULL SIZE

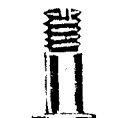
232321



201374



201097



201530



232287



232686



231



PLATE 13825—FULL SIZE

250245

232135

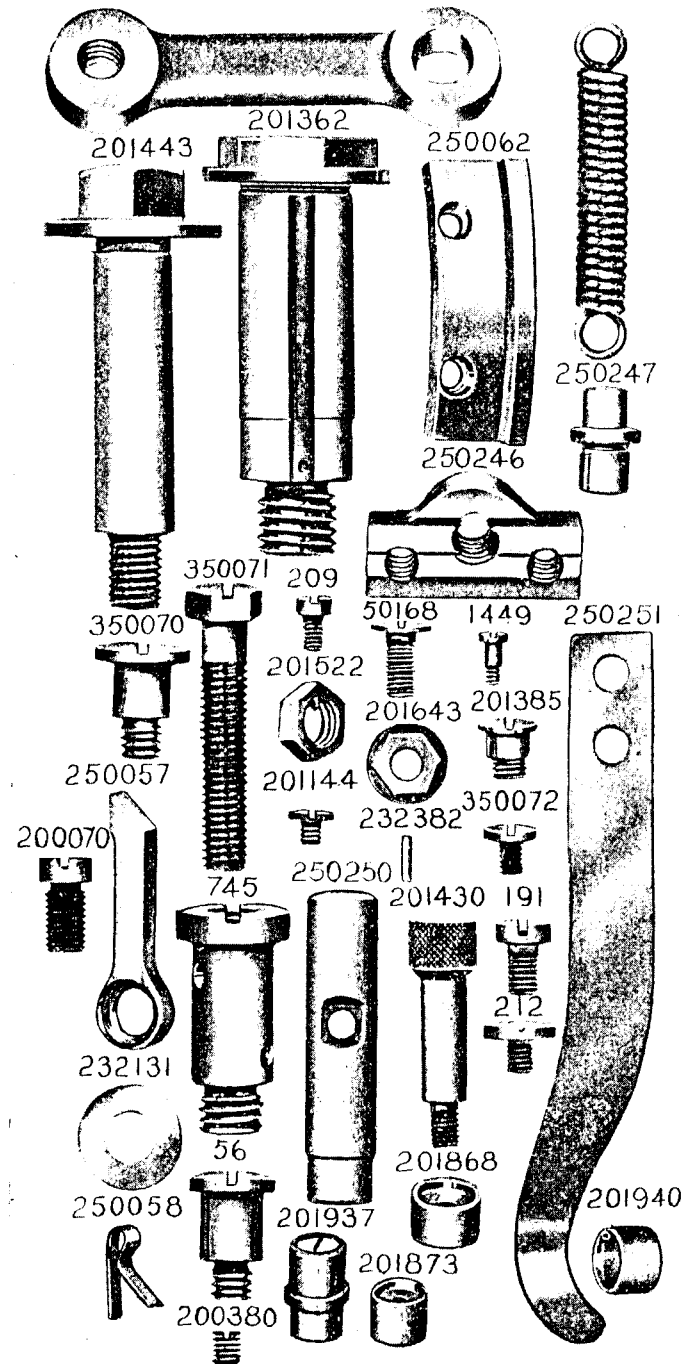


PLATE 13823—ONE-HALF SIZE

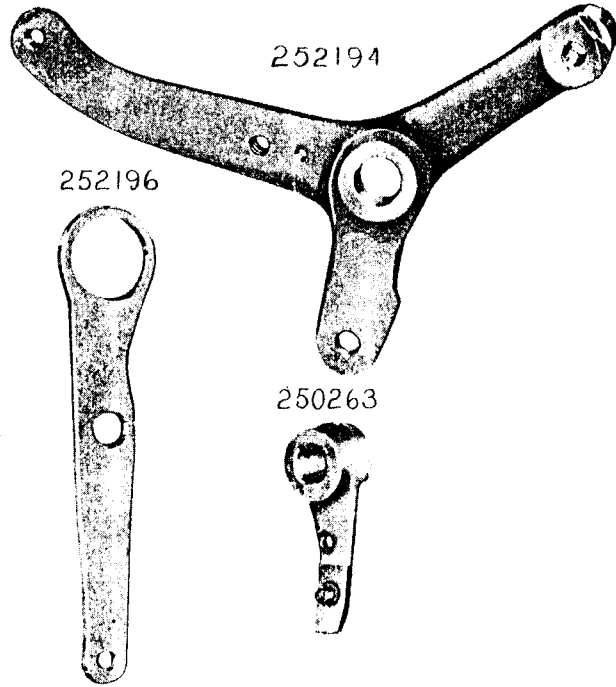


PLATE 13818—ONE-HALF SIZE

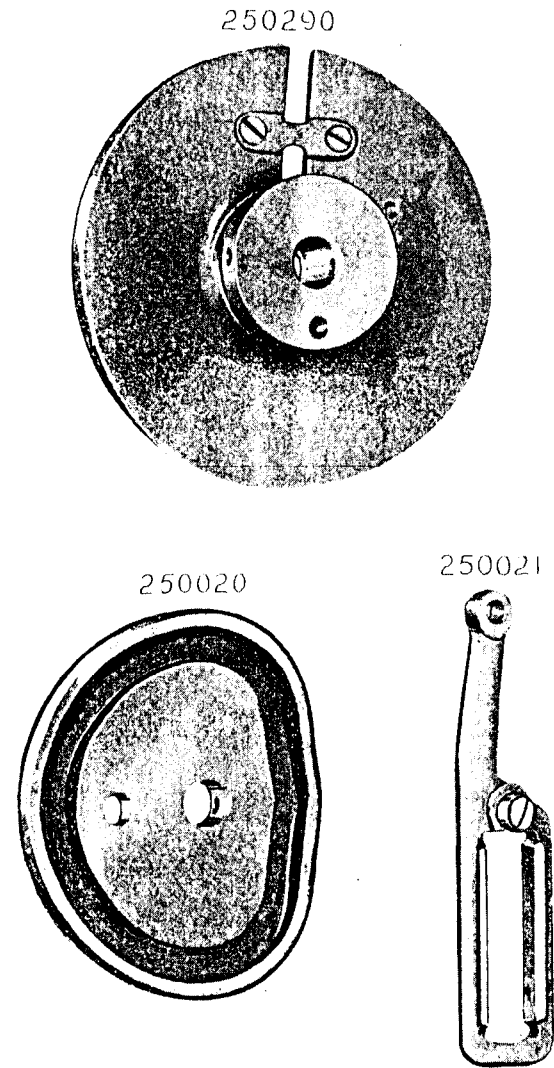


PLATE 13817—FULL SIZE

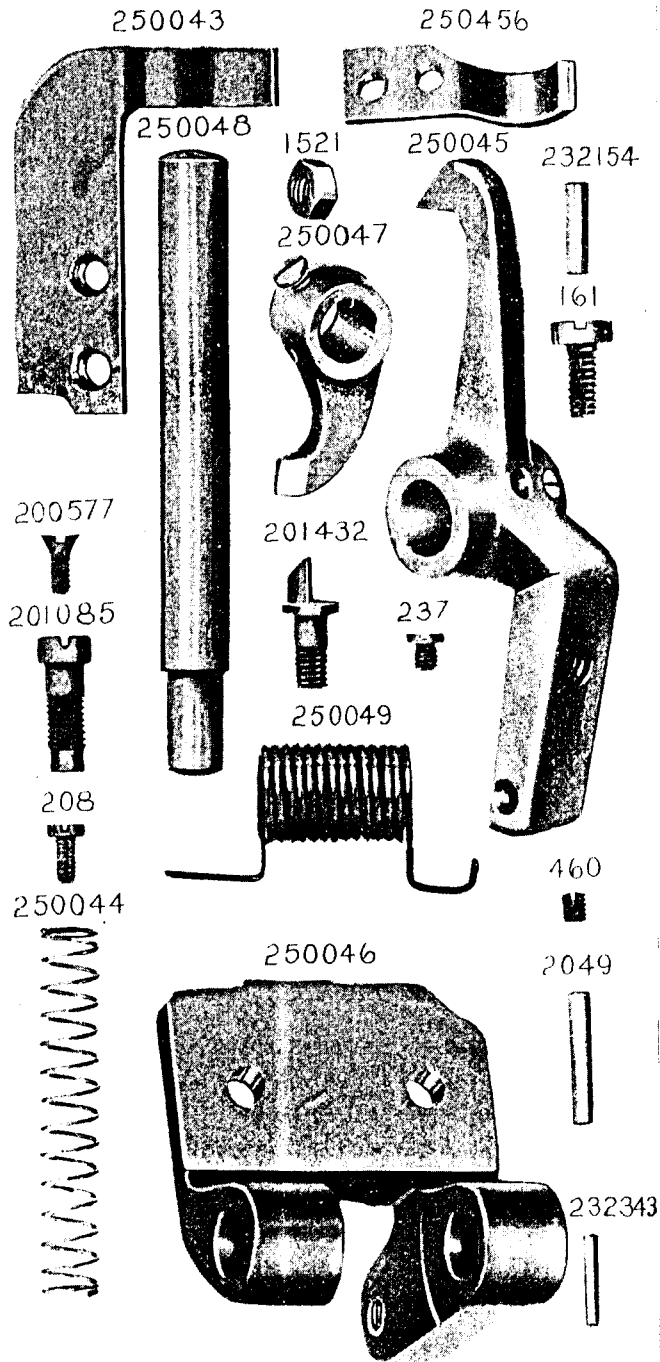


PLATE 13816—FULL SIZE

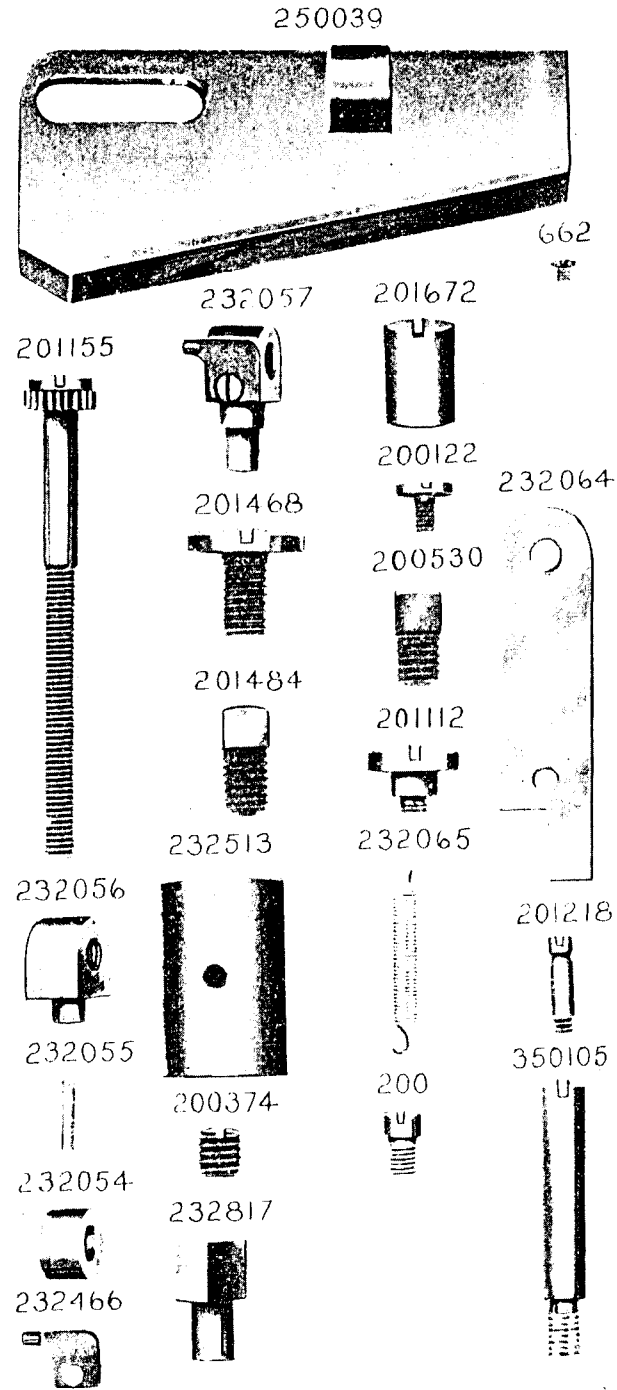


PLATE 13812—ONE-HALF SIZE

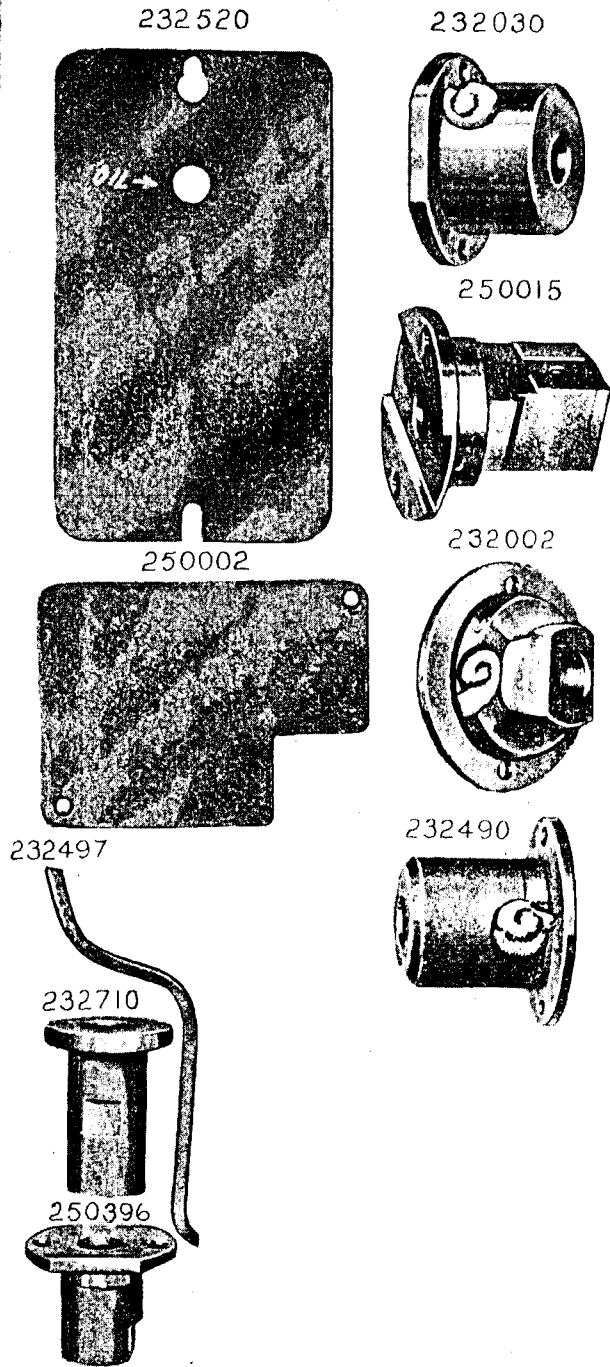


PLATE 13853—FULL SIZE

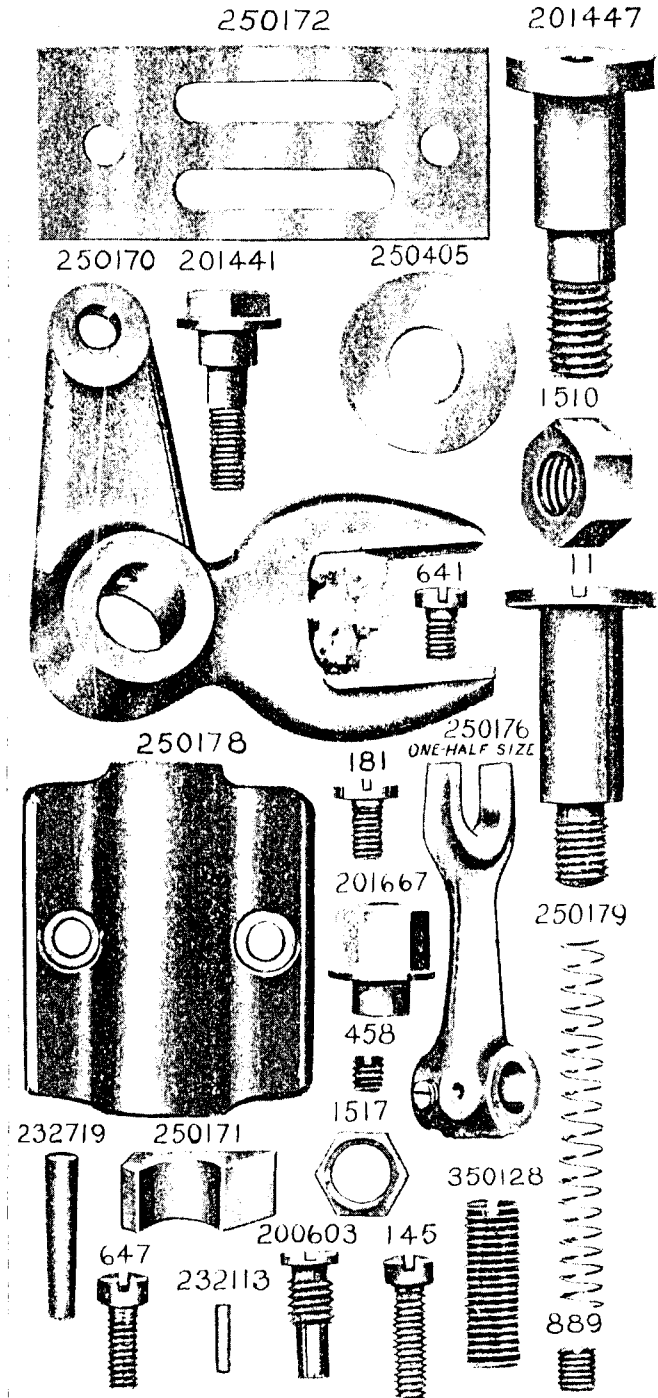


PLATE 13855—ONE-HALF SIZE

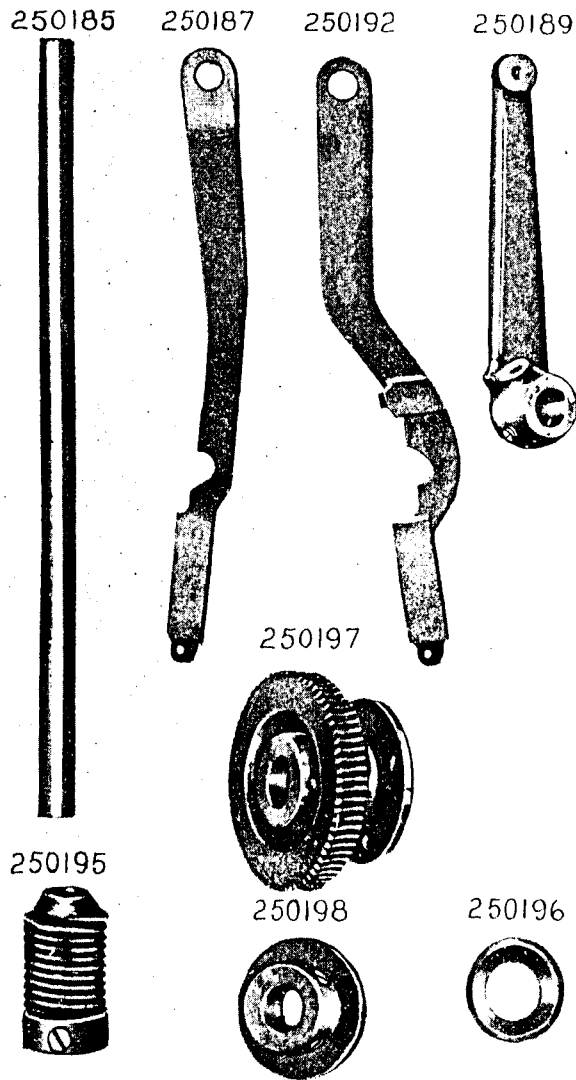
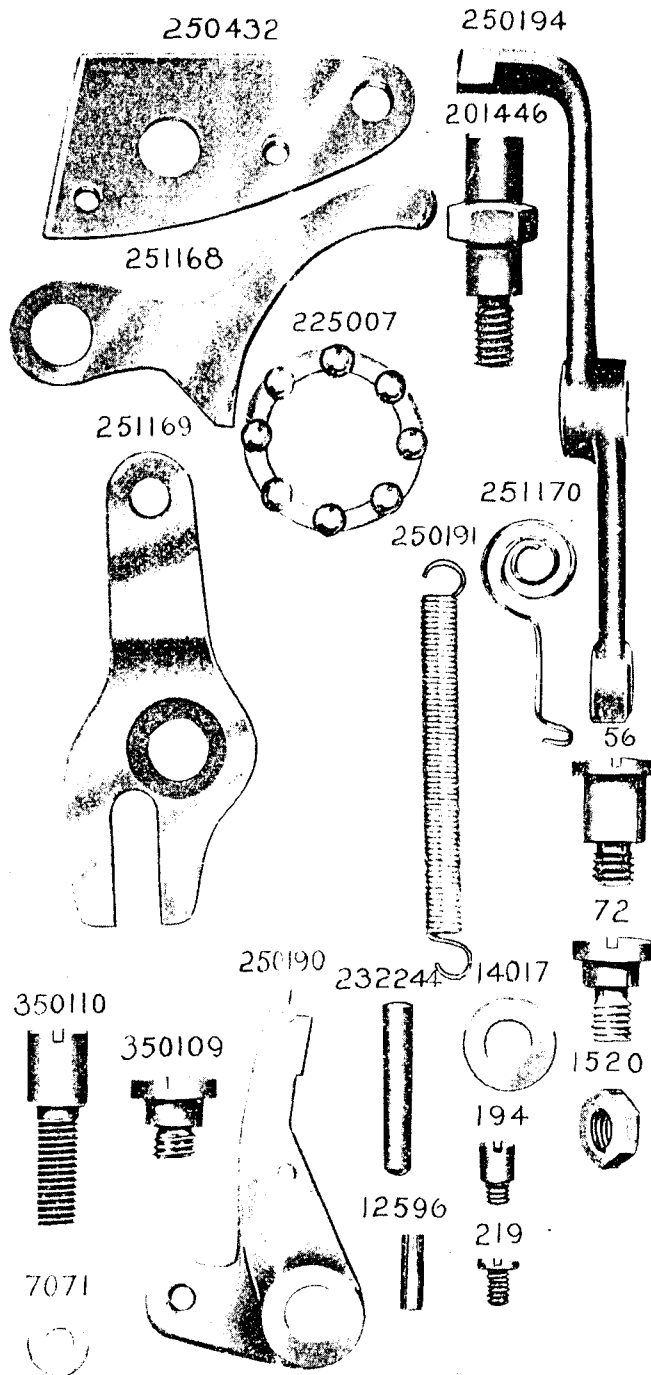


PLATE 13856—FULL SIZE



From the library of: Diamond Needle Corp

PLATE 13857—FULL SIZE

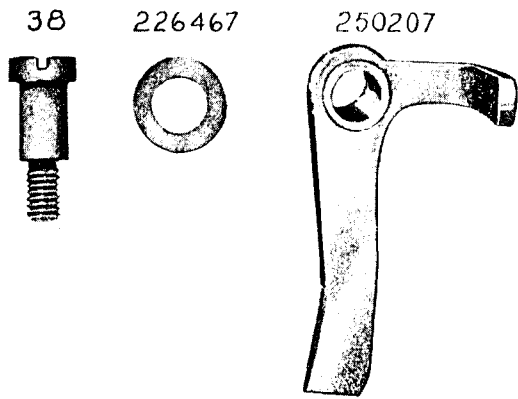
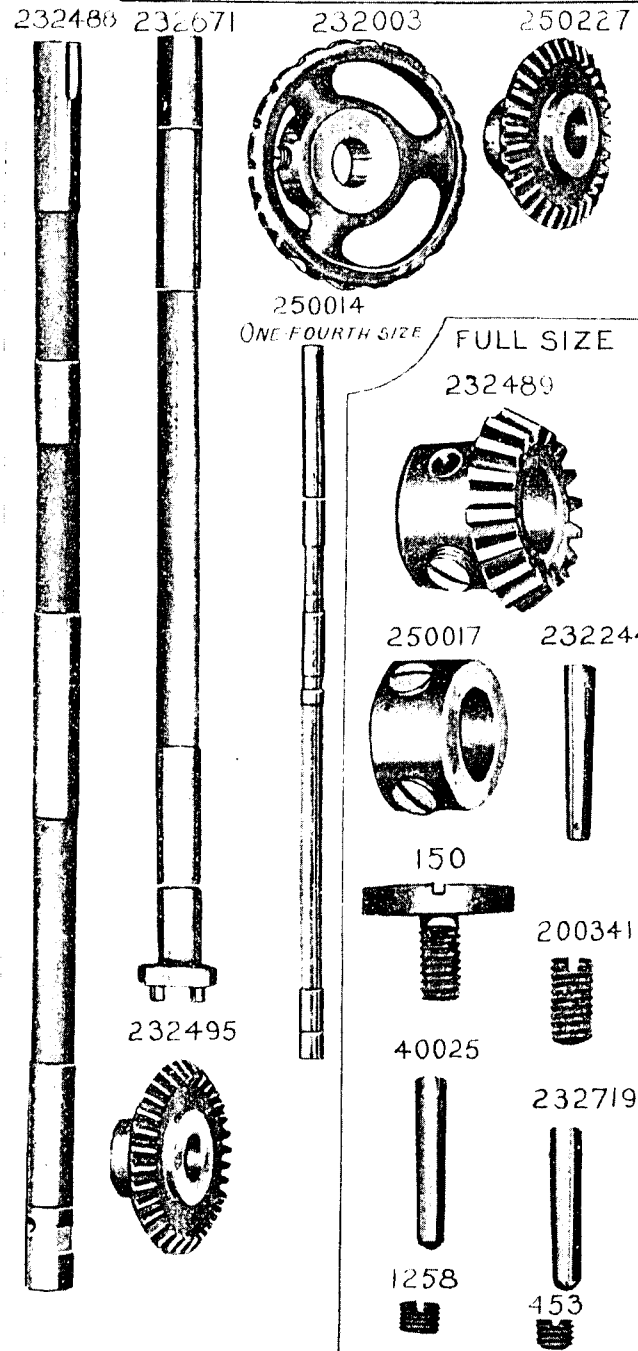


PLATE 13858—ONE-HALF SIZE



From the library of: Diamond Needle Corp



PLATE 13859—FULL SIZE

250418 250419 200097 250420

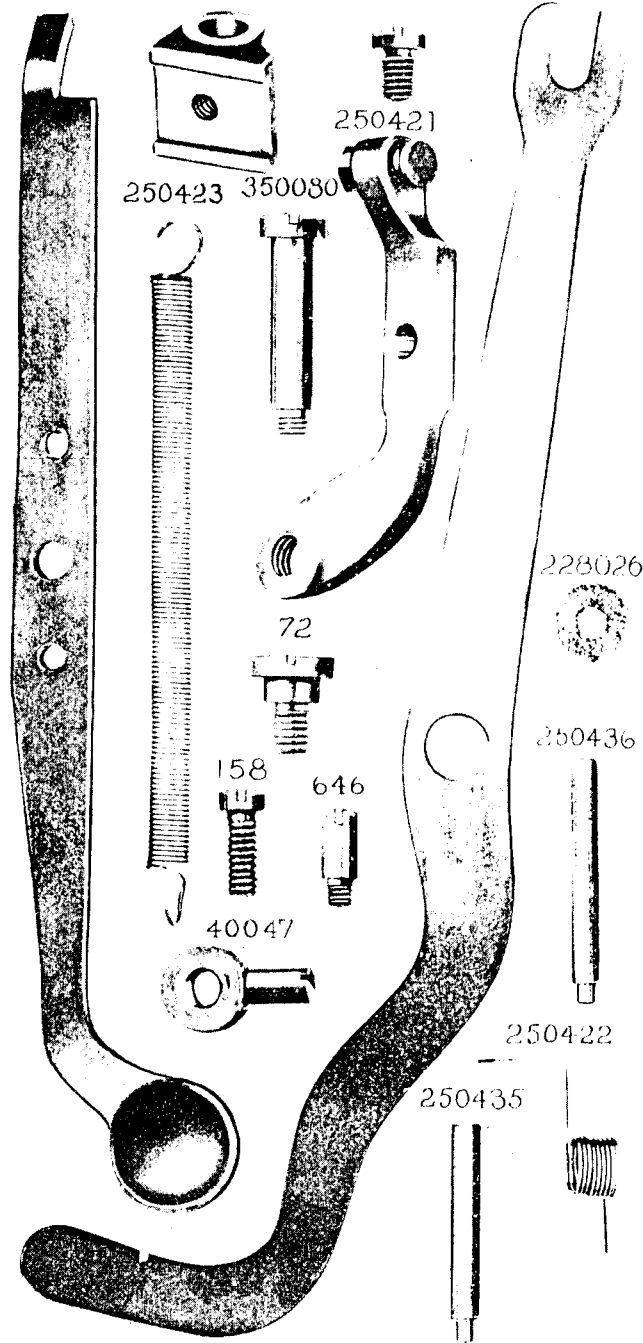
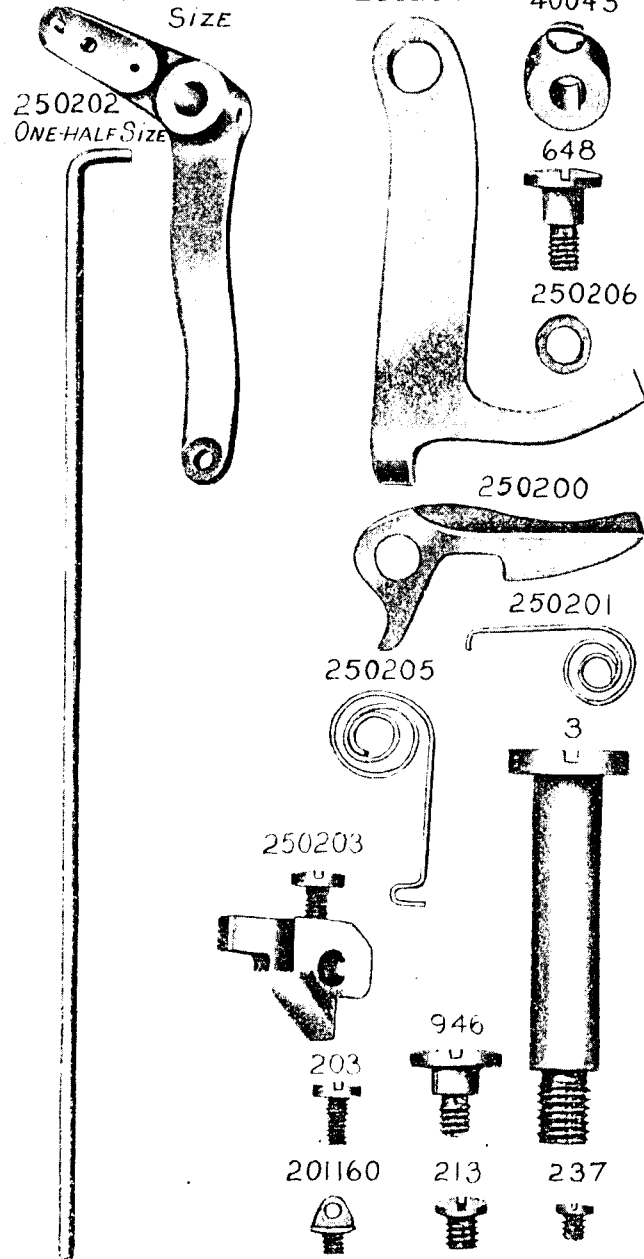


PLATE 13860—FULL SIZE

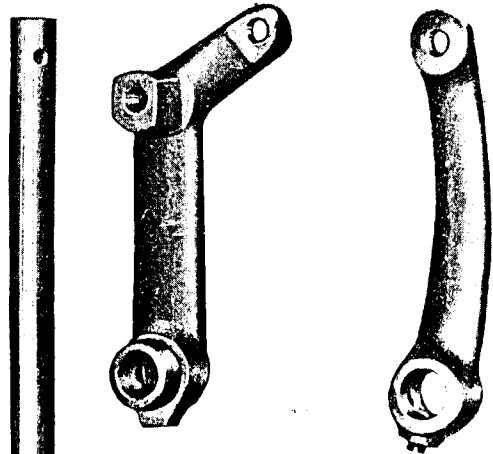
250199 ONE-HALF SIZE 250204 40043



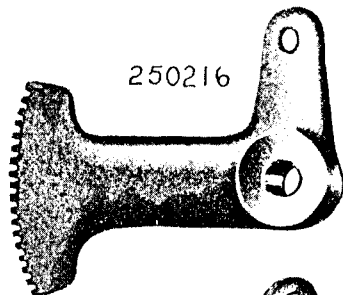
From the library of: Diamond Needle Corp

PLATE 13861—ONE-HALF SIZE

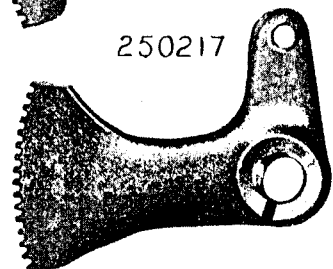
250394      250215      232591



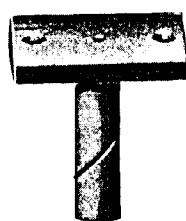
250216



250217



232599



232597

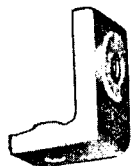
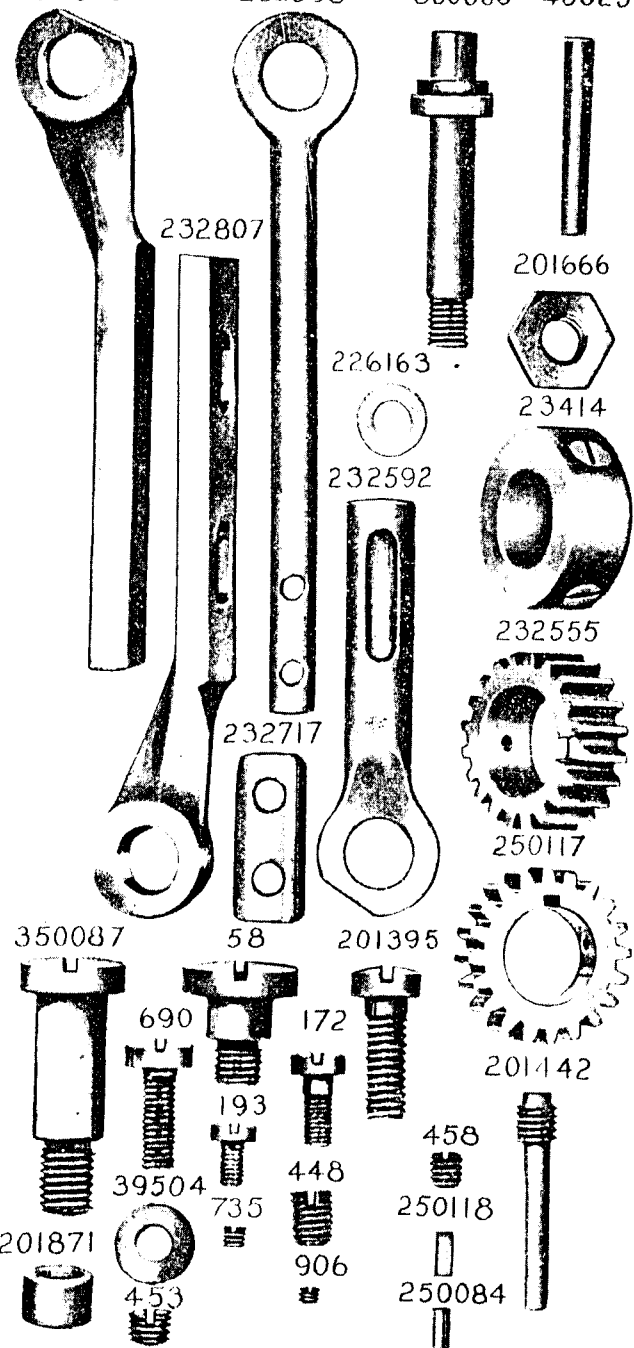


PLATE 13862—FULL SIZE

232808      232593      350066      40025



From the library of: Diamond Needle Corp

PLATE 13864—FULL SIZE

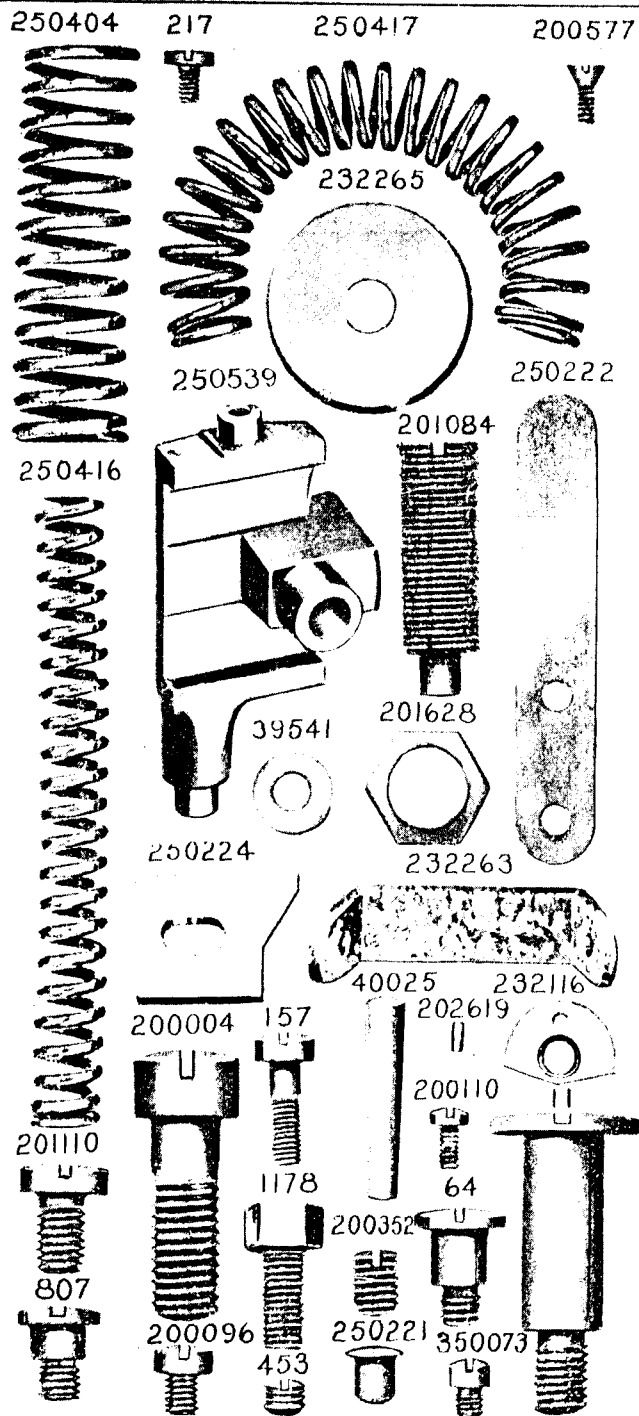
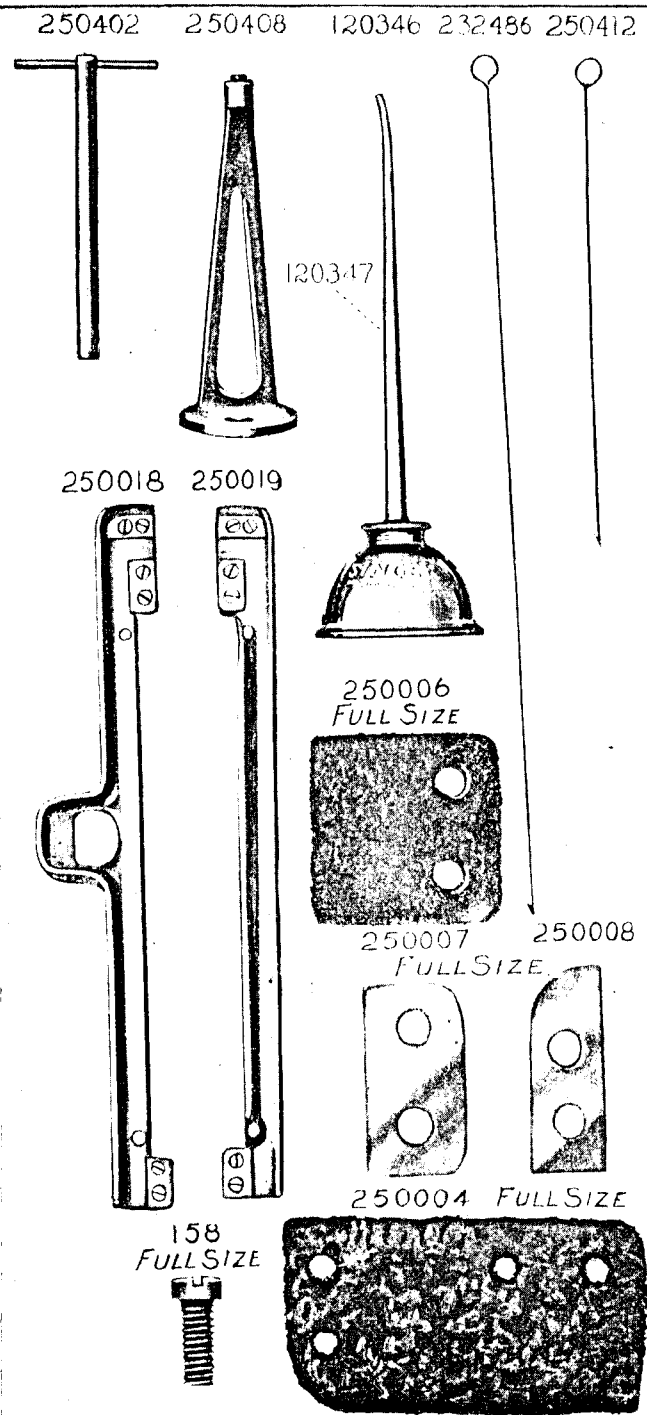


PLATE 13865—ONE-FOURTH SIZE



From the library of: Diamond Needle Corp

PLATE 13866—ONE-HALF SIZE

11831 225498 250522 232900

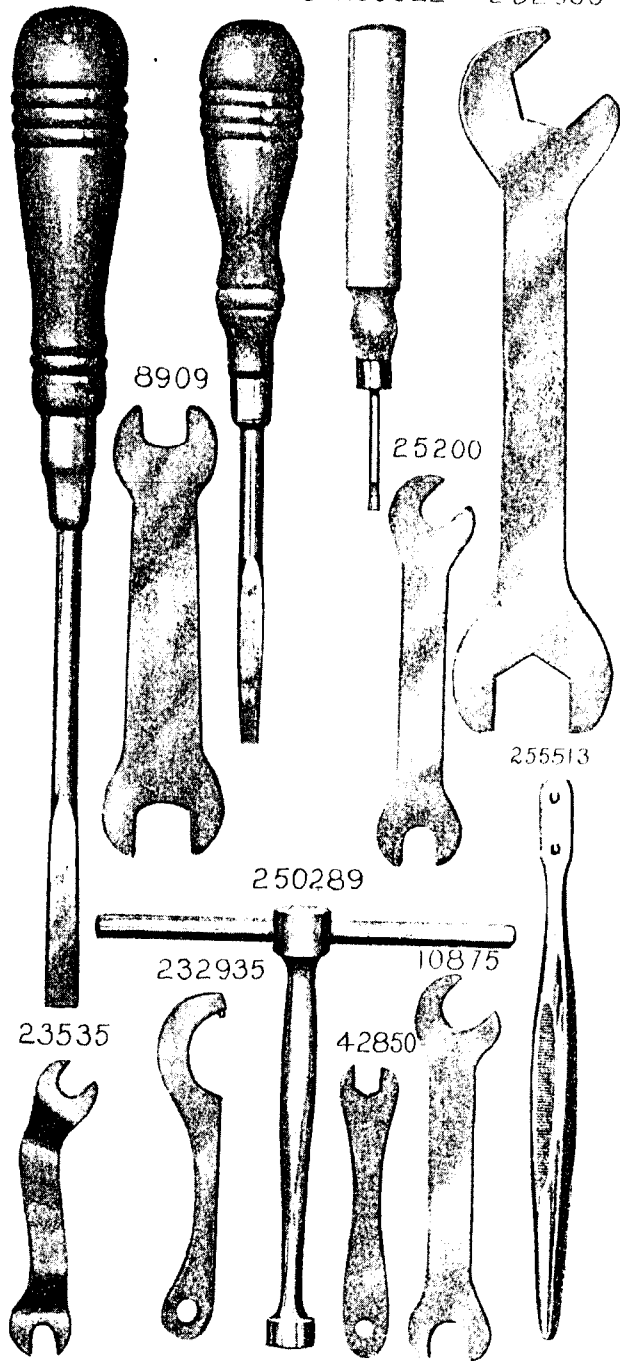


PLATE 13869—ONE-HALF SIZE

228584 228569 228593

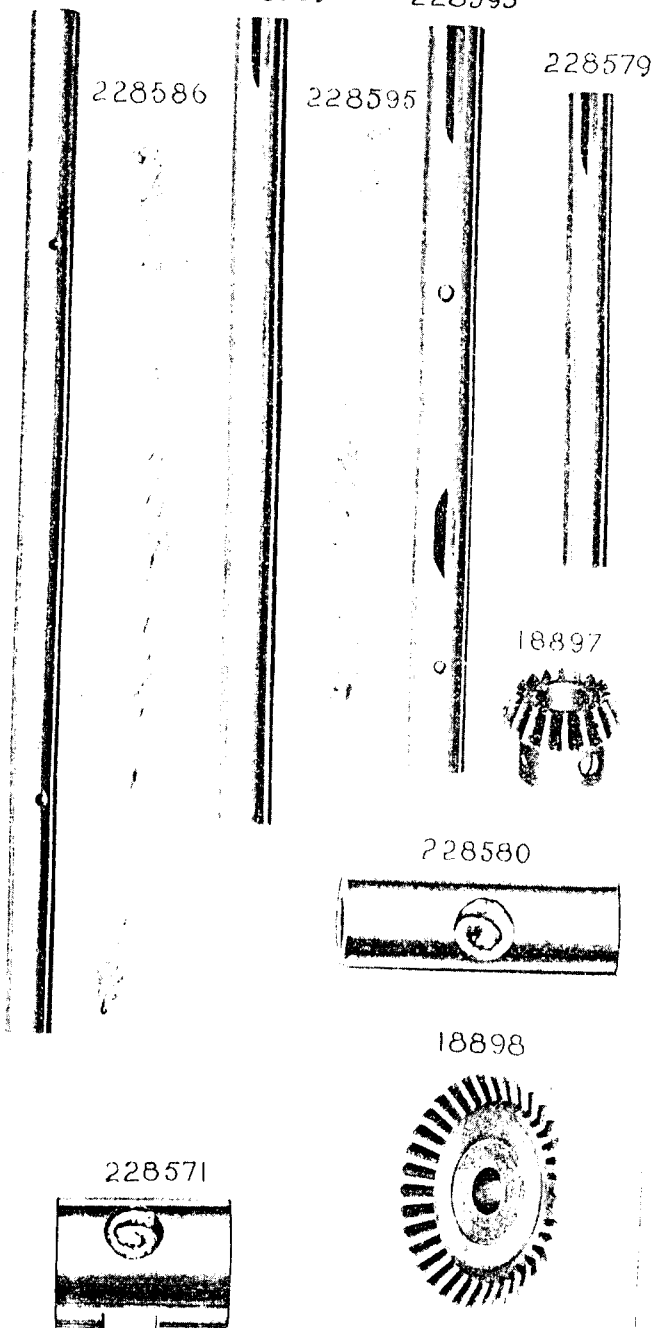


PLATE 13870—ONE-SIXTH SIZE

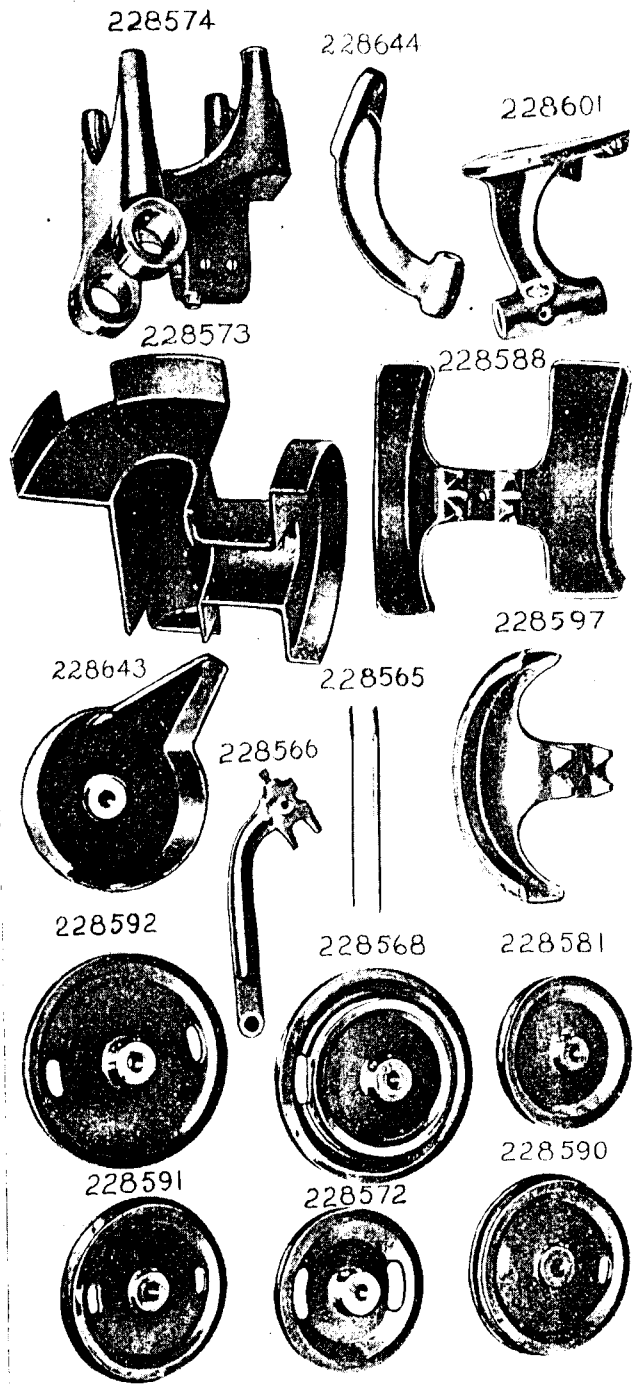
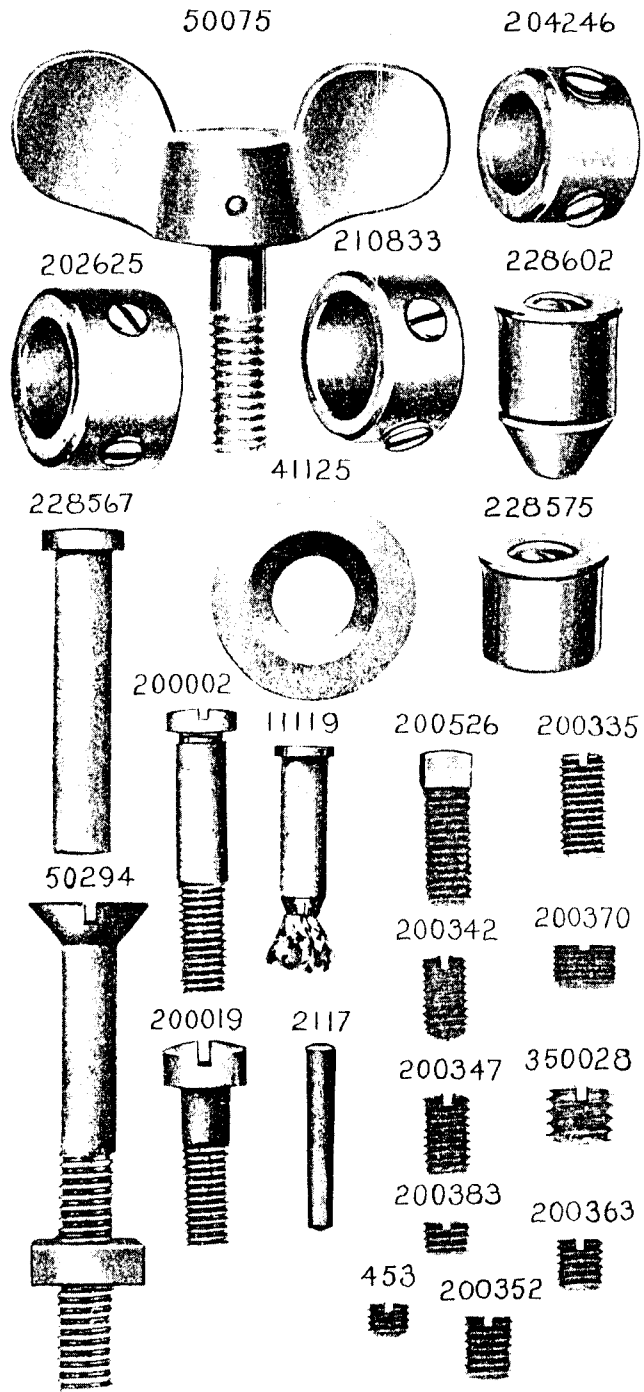


PLATE 13871—FULL SIZE



From the library of: Diamond Needle Corp

PLATE 13874—ONE-HALF SIZE

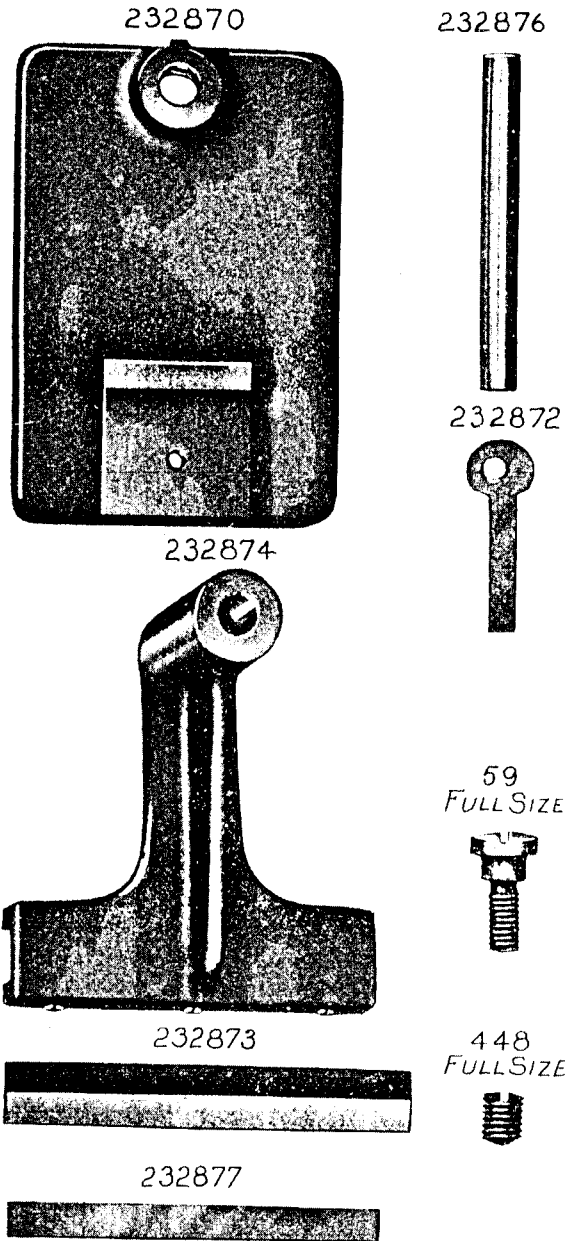


PLATE 13875—FULL SIZE

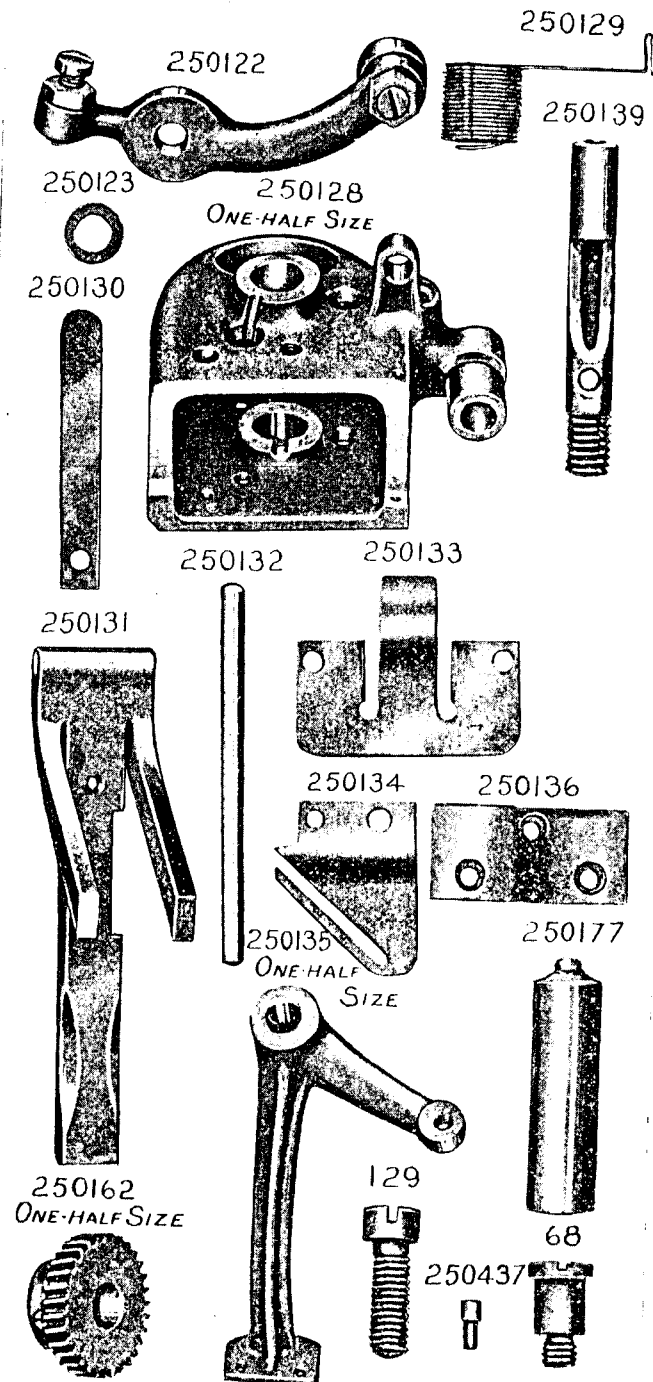


PLATE 13883—FULL SIZE

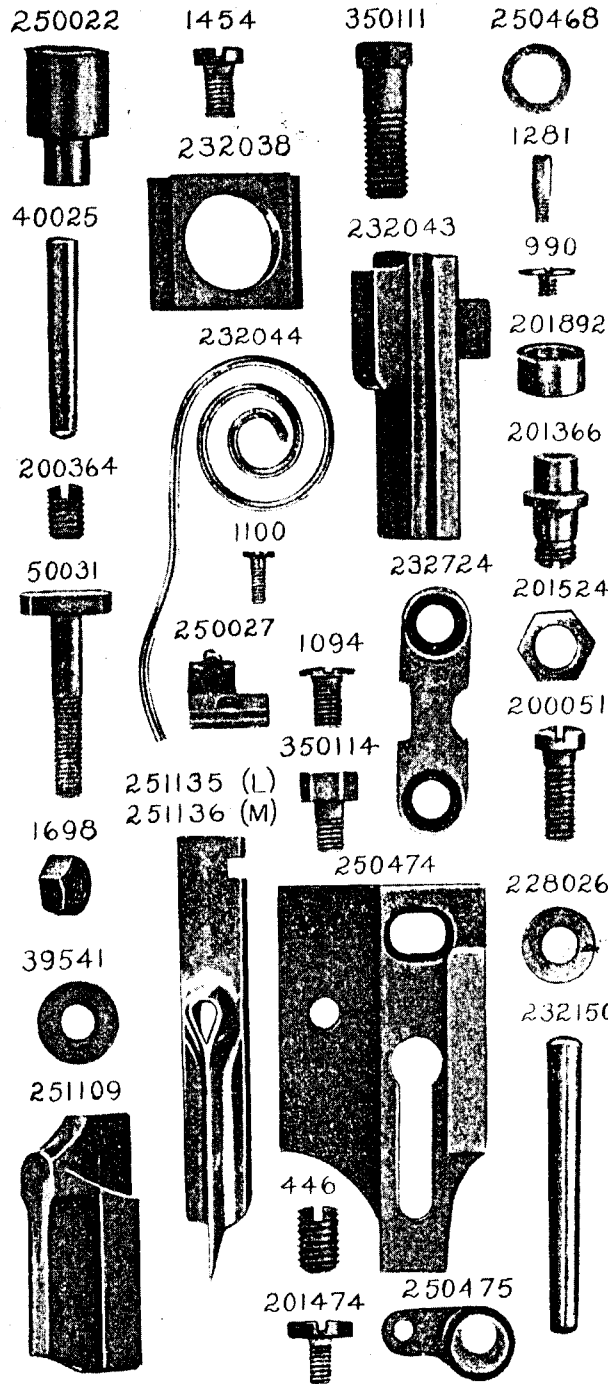
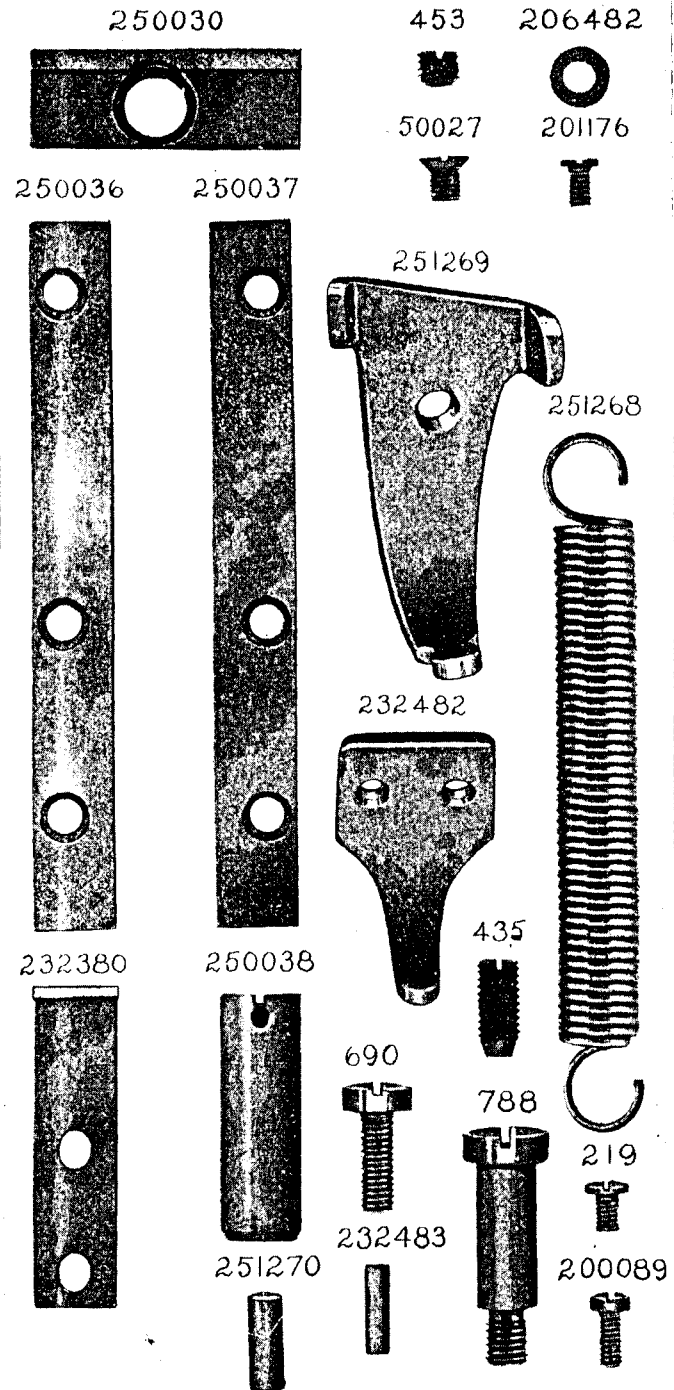


PLATE 13885—FULL SIZE



From the library of: Diamond Needle Corp

PLATE 13891—FULL SIZE

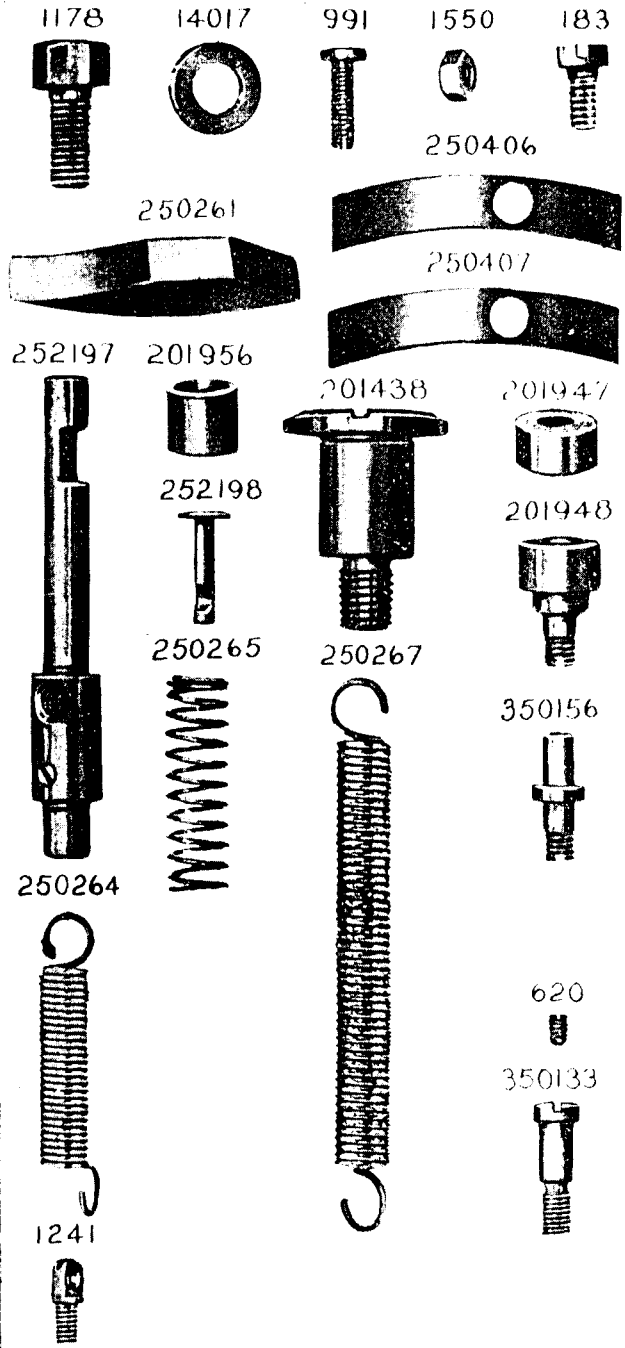
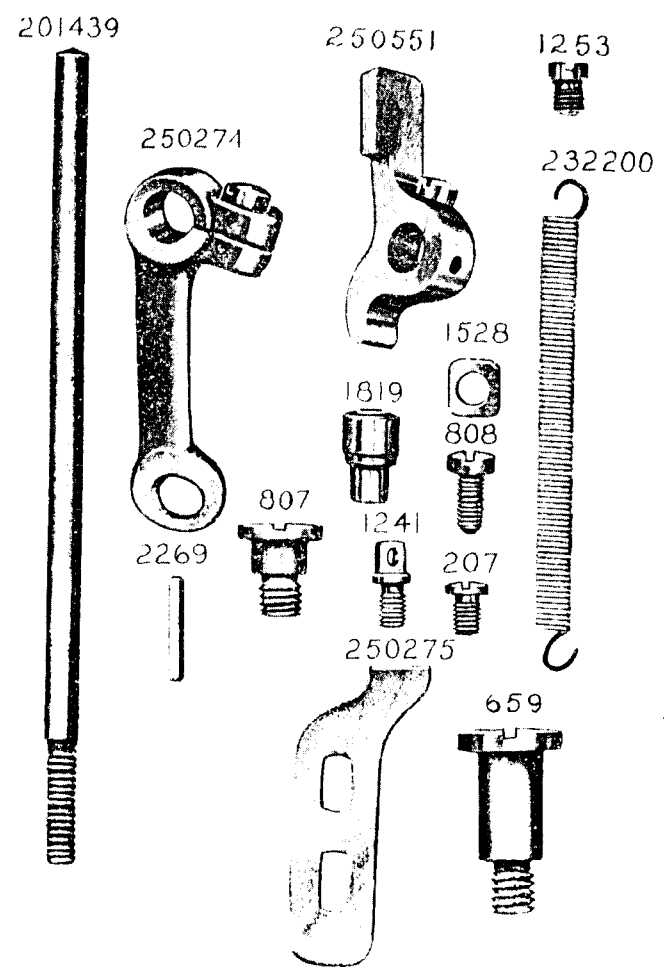


PLATE 13895—FULL SIZE



From the library of: Diamond Needle Corp



PLATE 13898—ONE-HALF SIZE

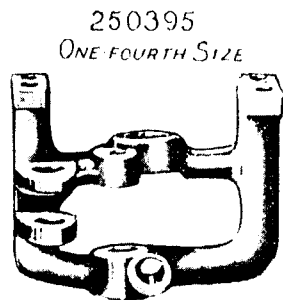
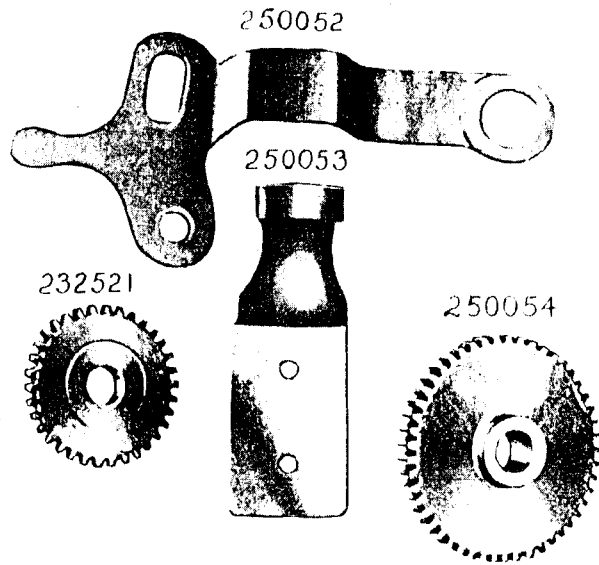


PLATE 13899—FULL SIZE

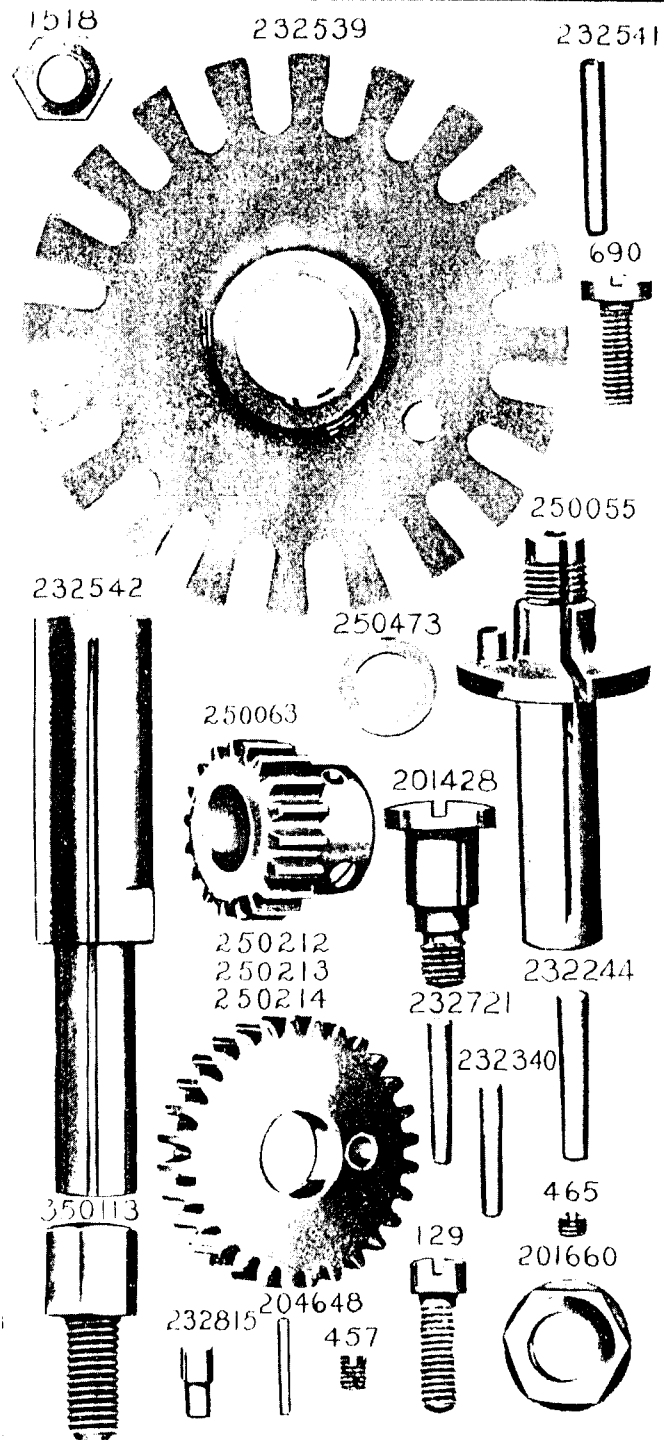


PLATE 13900—FULL SIZE

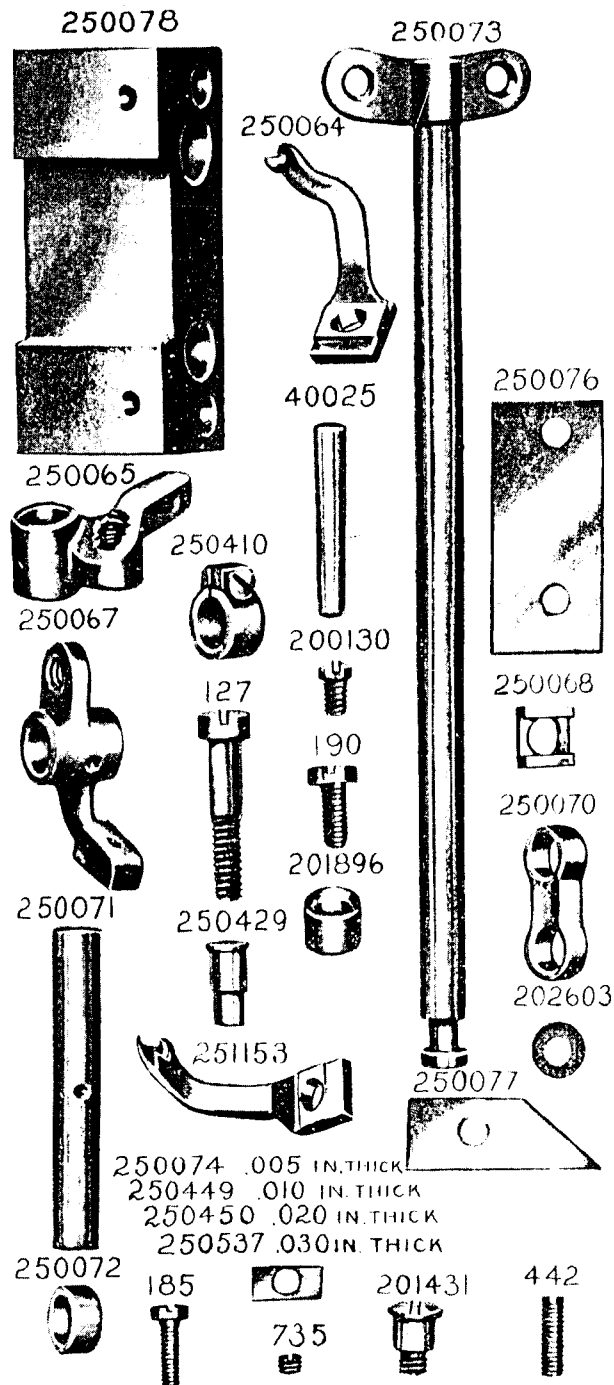
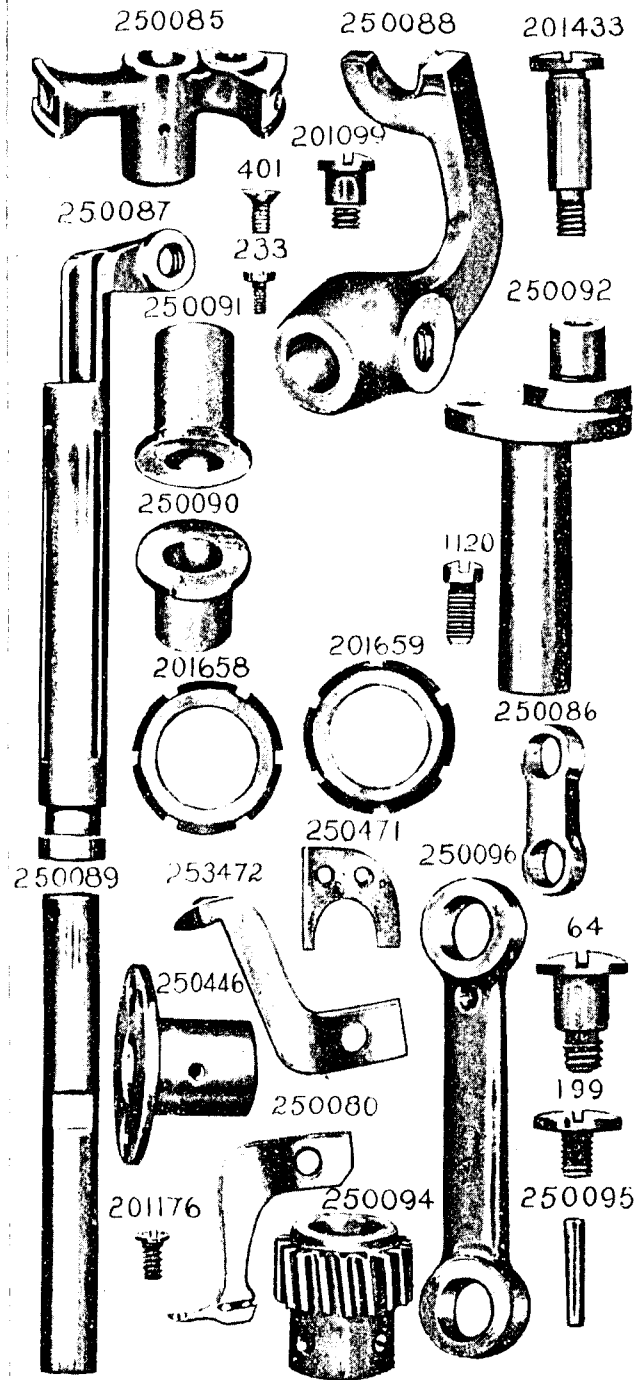


PLATE 13901—FULL SIZE



From the library of: Diamond Needle Corp

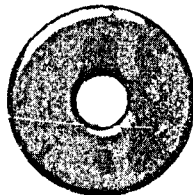
PLATE 13902—FULL SIZE

232516  
ONE-FOURTH SIZE

1043



32012



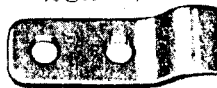
250540



232515



232517



251368



171



250447



1560



250109

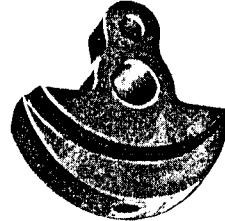


223



PLATE 13903—FULL SIZE

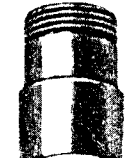
250105  
ONE HALF SIZE



201225



250112



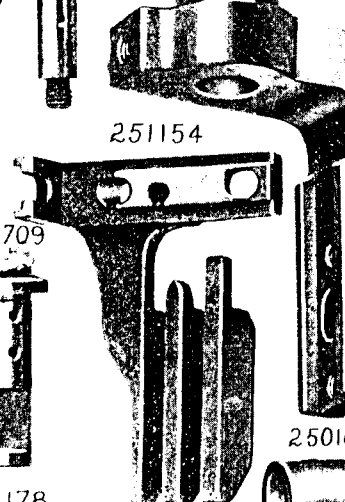
251155



250106  
ONE HALF SIZE



251154



232709



250108



232178



251215



201670



40025



904



201482



251214



232177



200382



201434



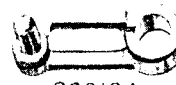
200394



250116



250114



250115



232176



200083



208



200124



From the library of: Diamond Needle Corp

PLATE 13904—FULL SIZE

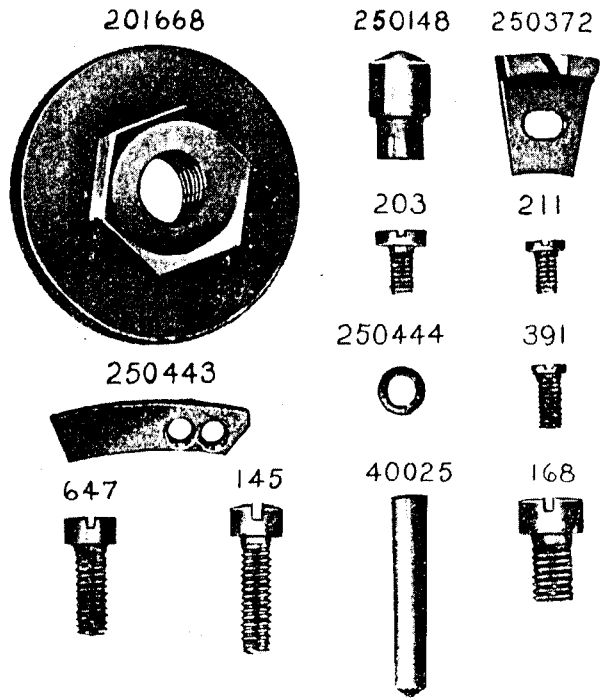


PLATE 13906—ONE-HALF SIZE

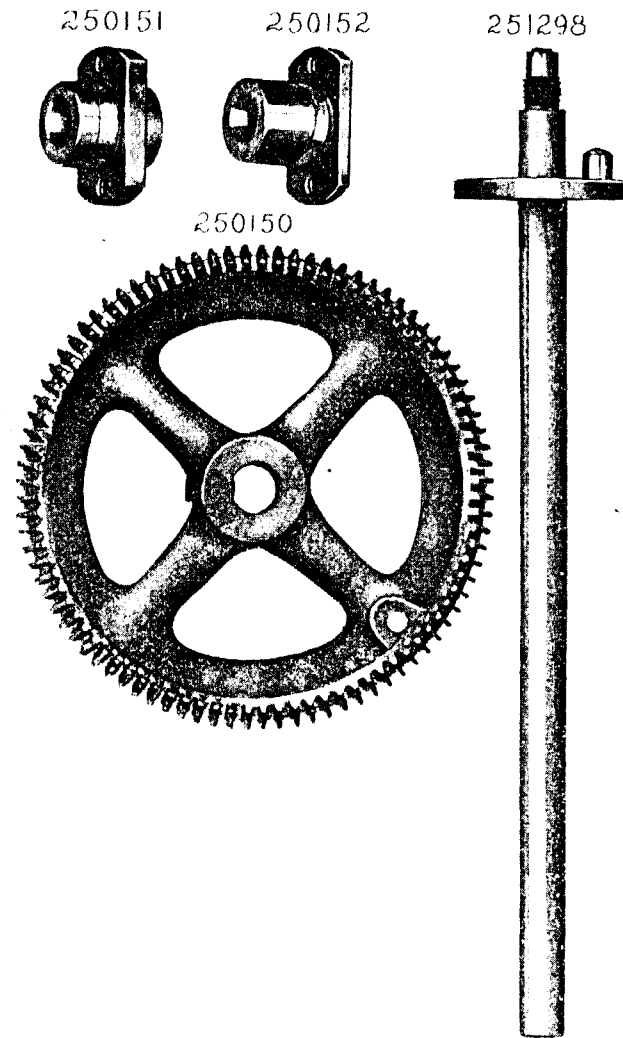


PLATE 13926—ONE-FOURTH SIZE

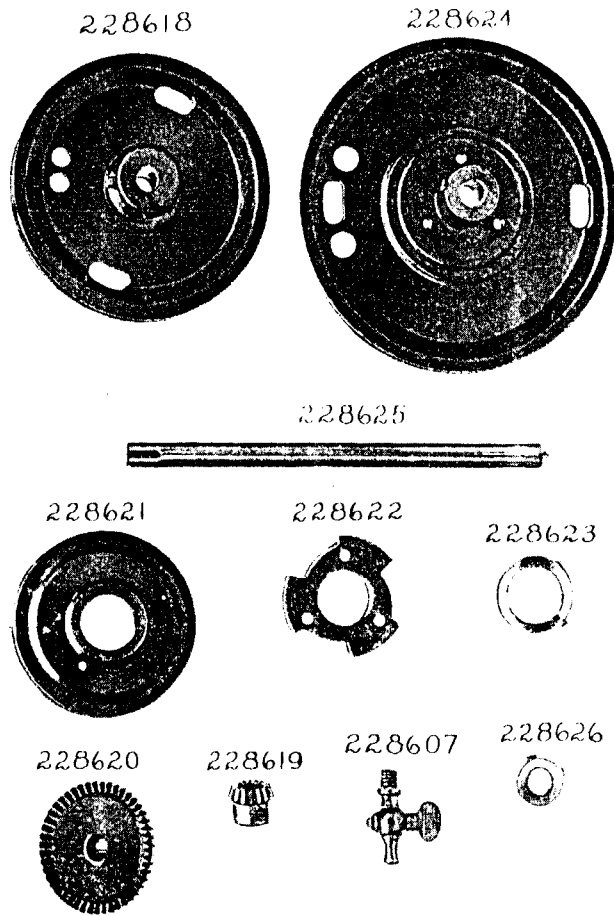
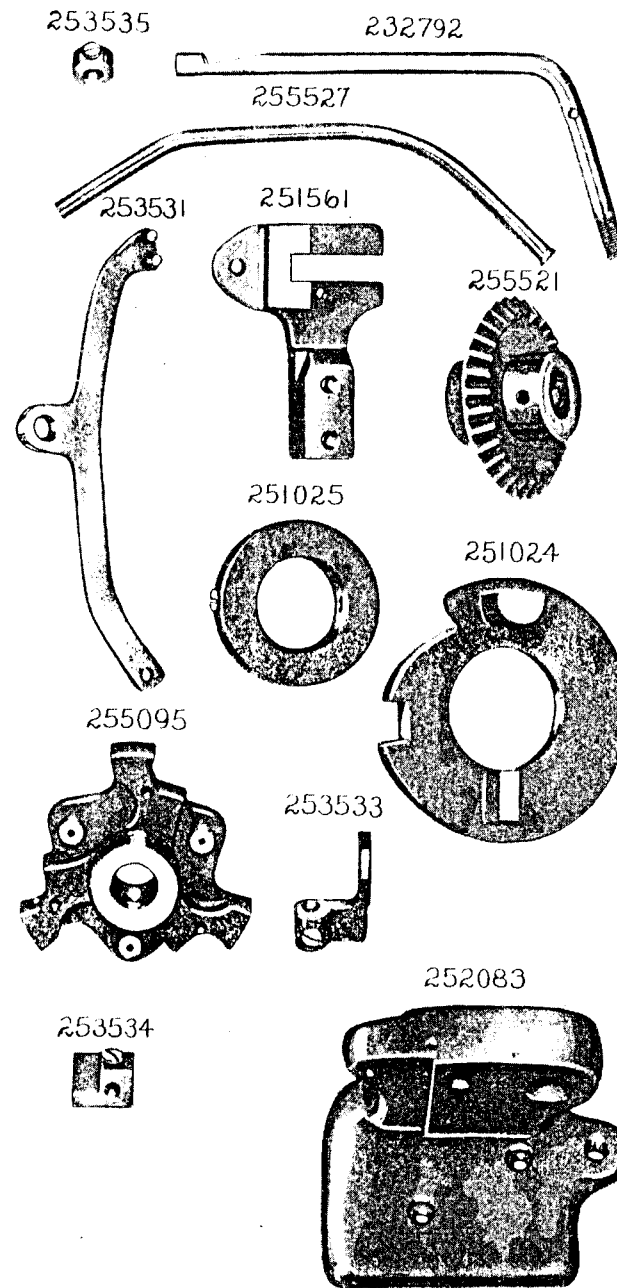


PLATE 13932—ONE-HALF SIZE



From the library of: Diamond Needle Corp

PLATE 13933—ONE-FOURTH SIZE

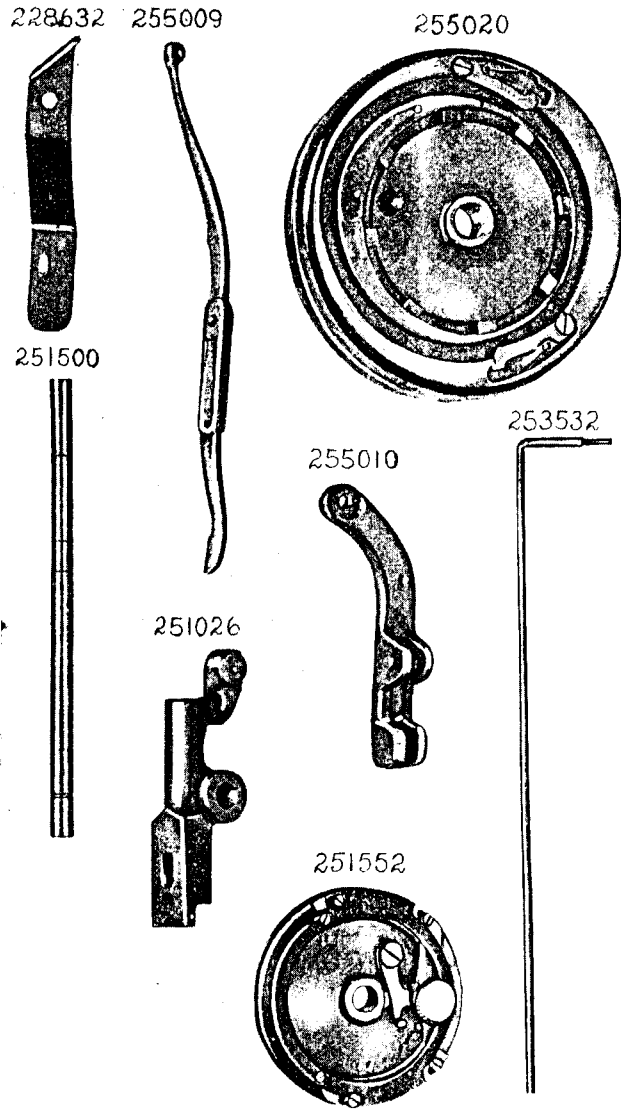


PLATE 13934—FULL SIZE

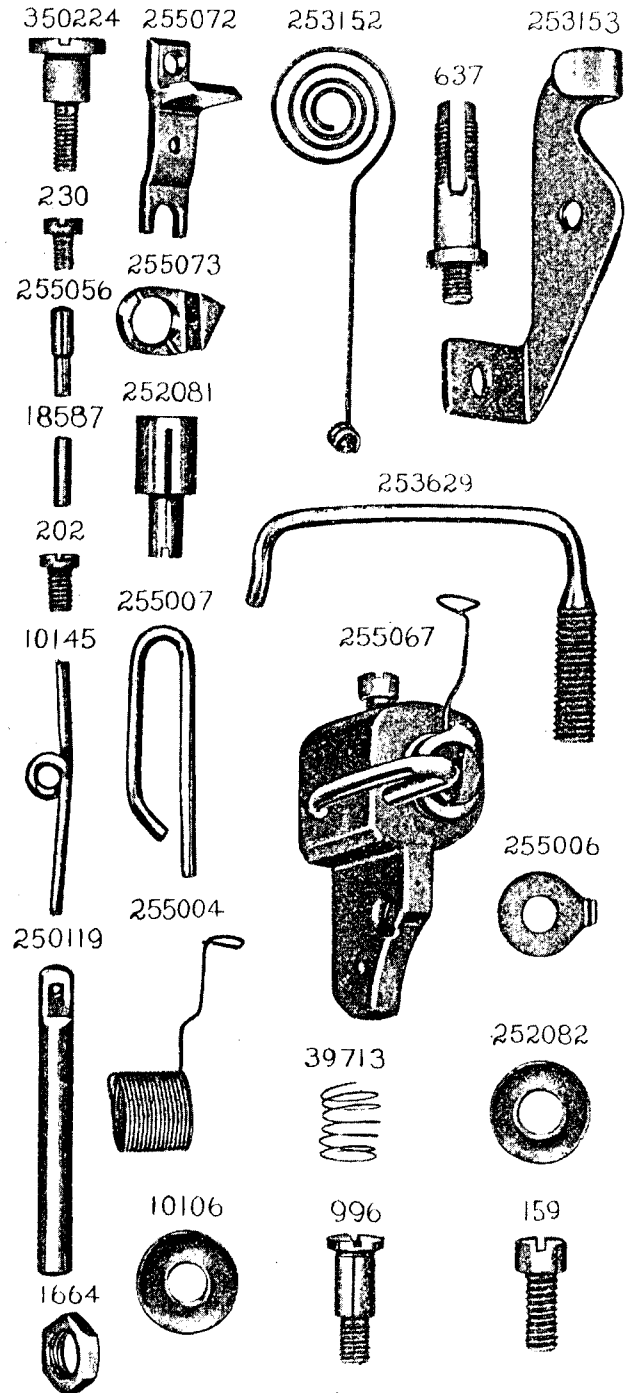


PLATE 13935—ONE-HALF SIZE

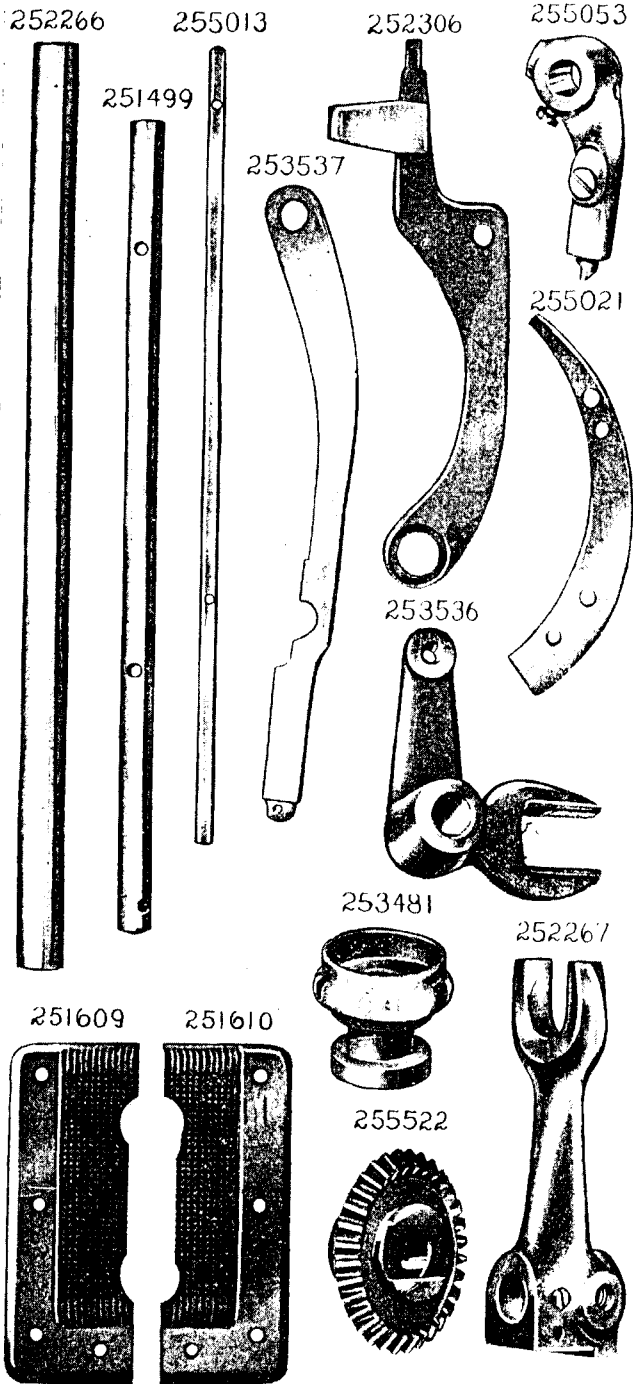


PLATE 13936—FULL SIZE

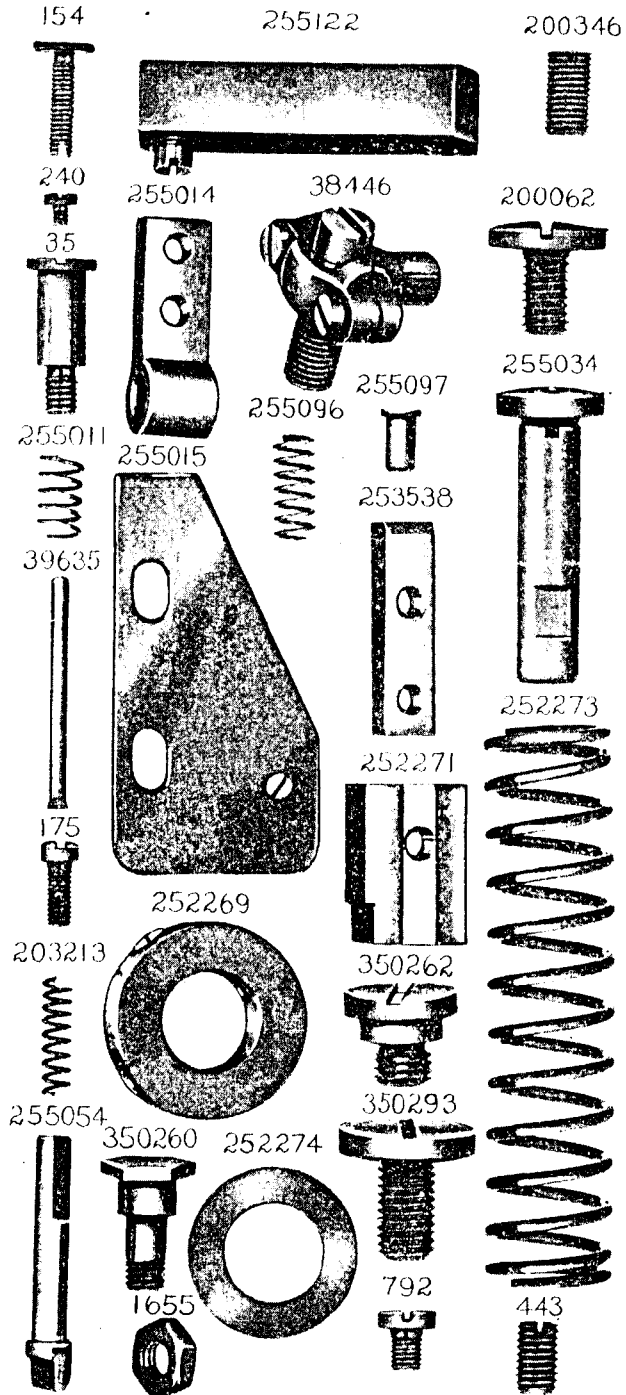


PLATE 13937—FULL SIZE

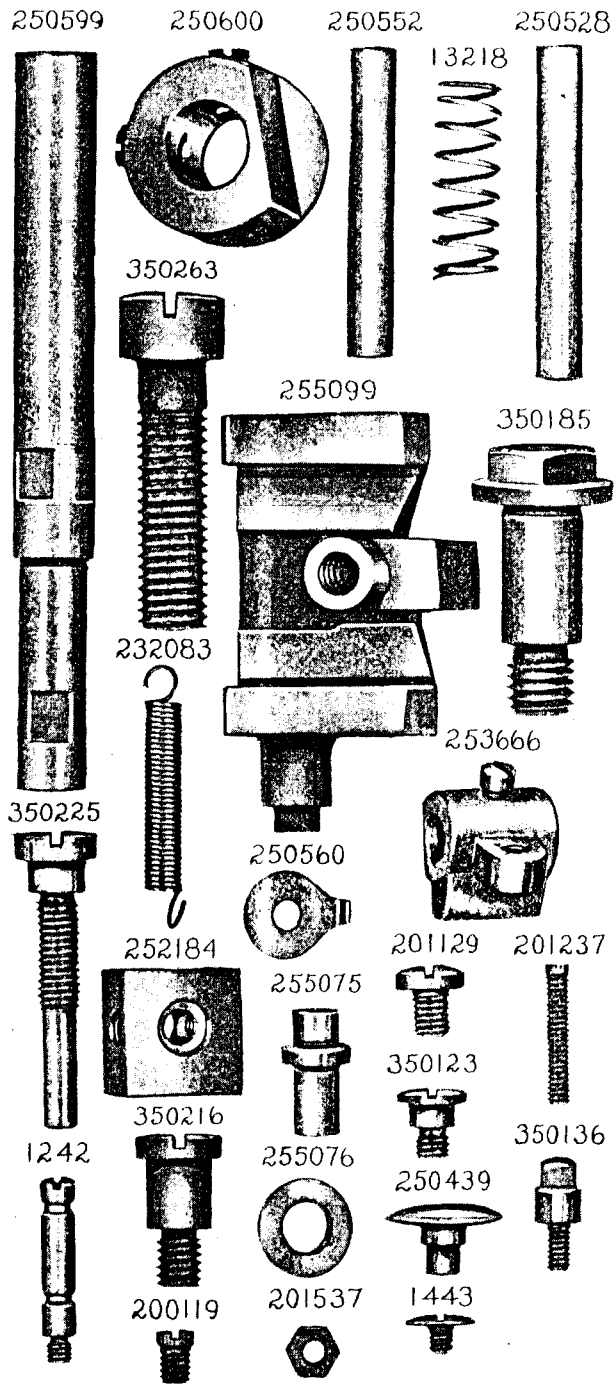
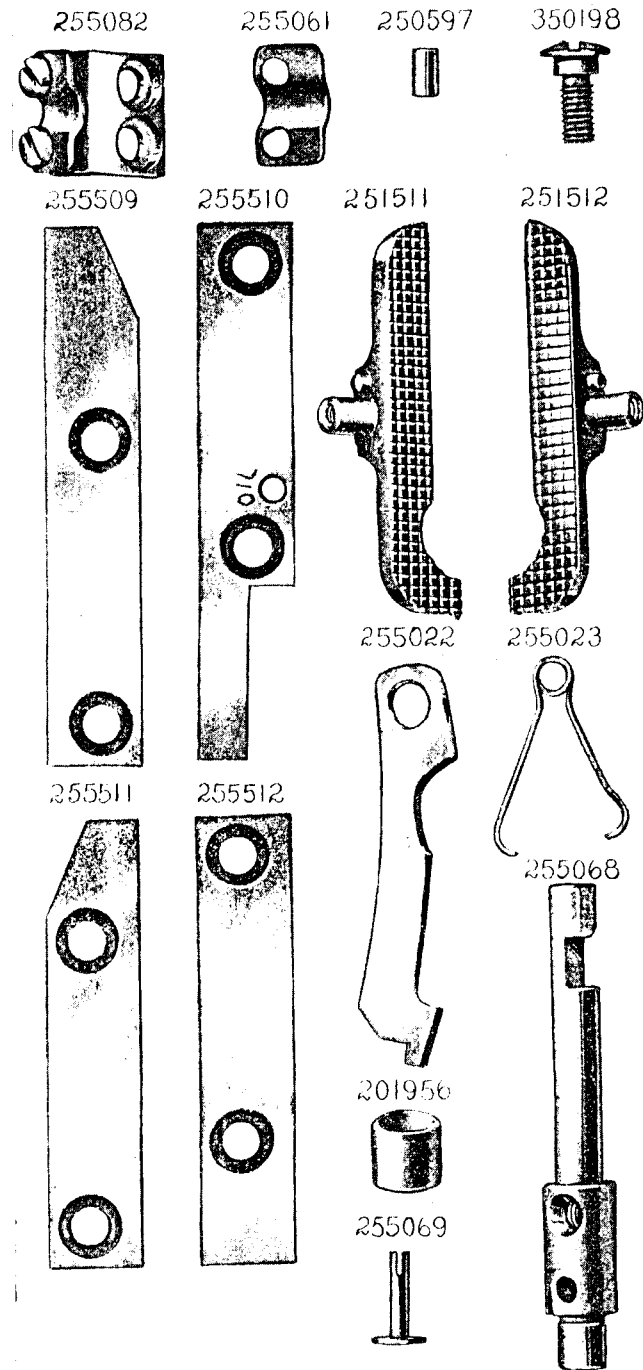


PLATE 13938—FULL SIZE



From the library of: Diamond Needle Corp



PLATE 13939—FULL SIZE

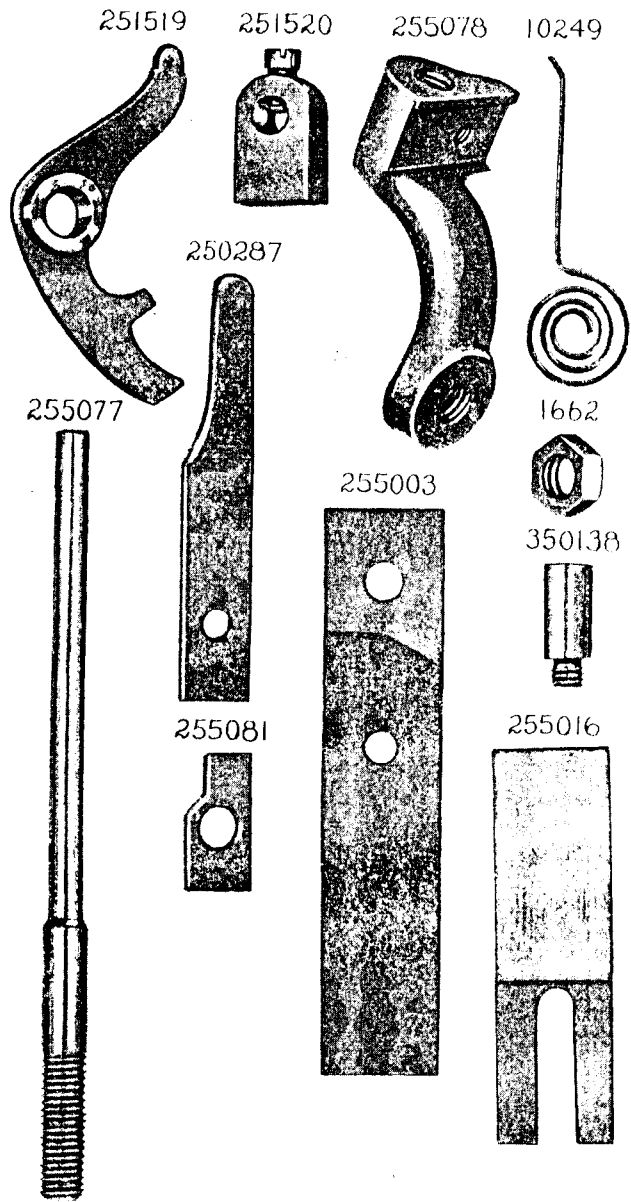


PLATE 13940—ONE-HALF SIZE

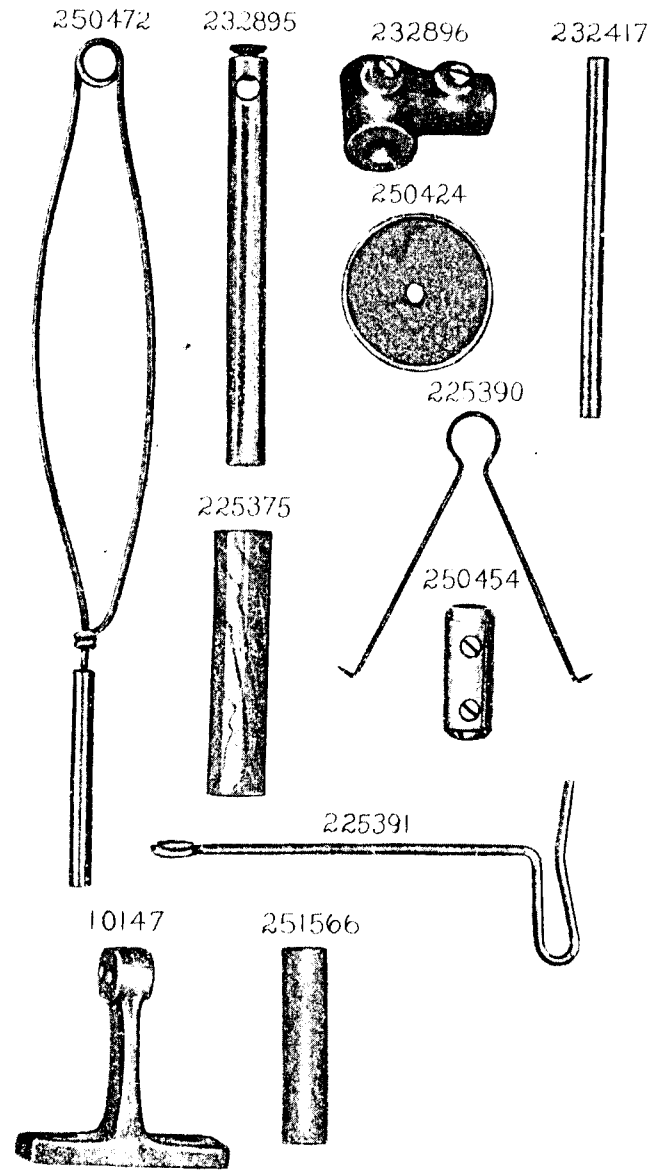


PLATE 13941—FULL SIZE

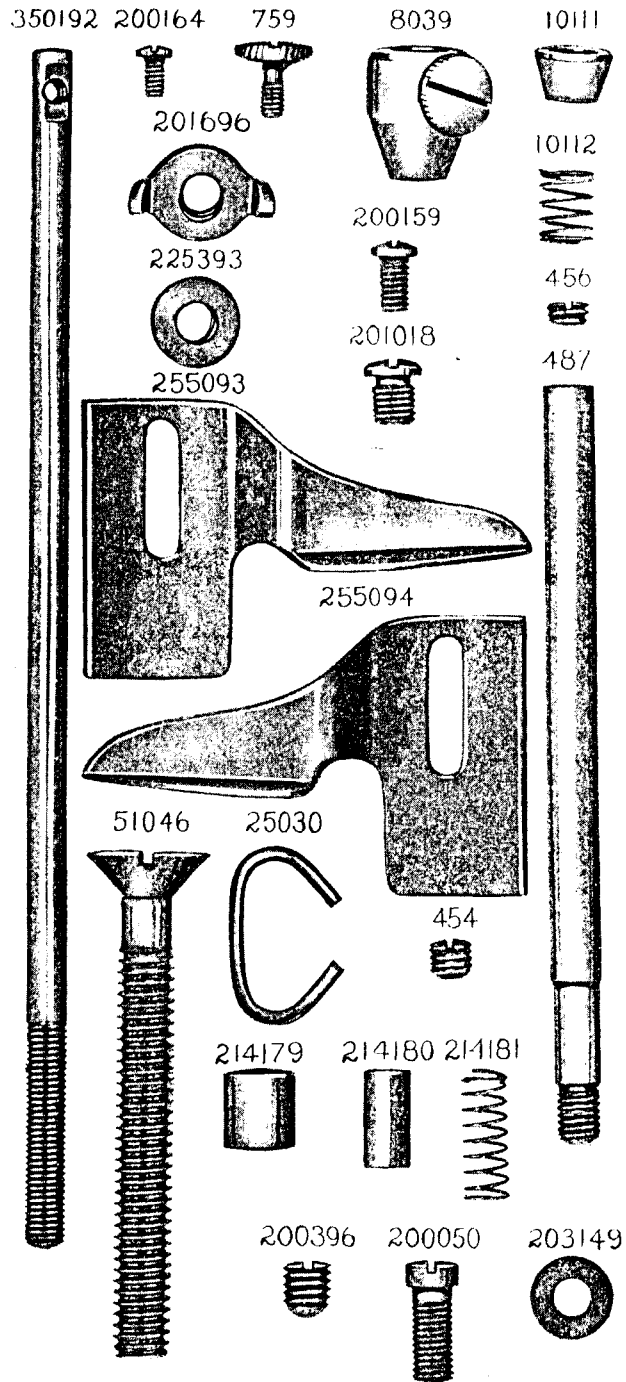
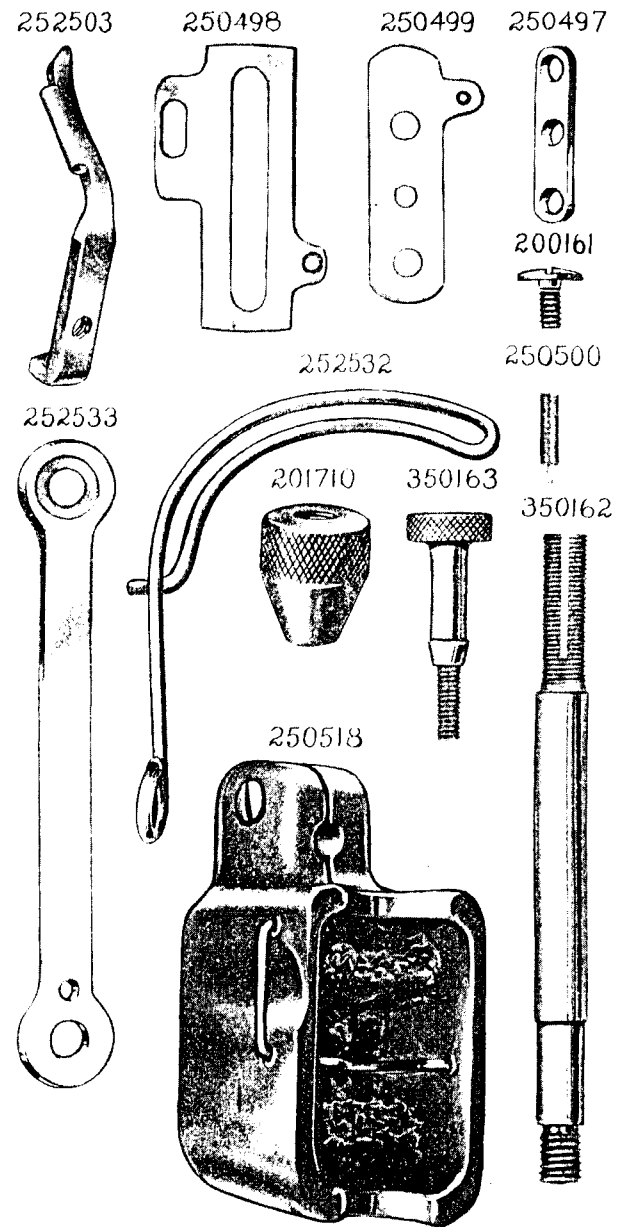


PLATE 13942—FULL SIZE



From the library of: Diamond Needle Corp

PLATE 13944—ONE-FOURTH SIZE

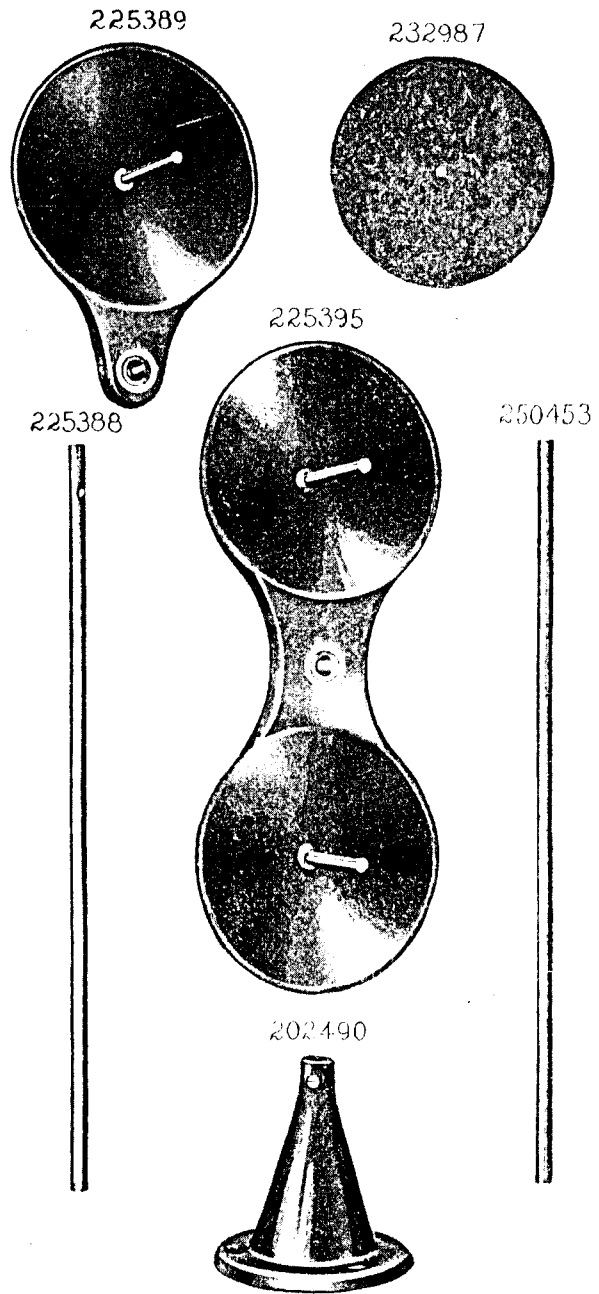


PLATE 13953—FULL SIZE

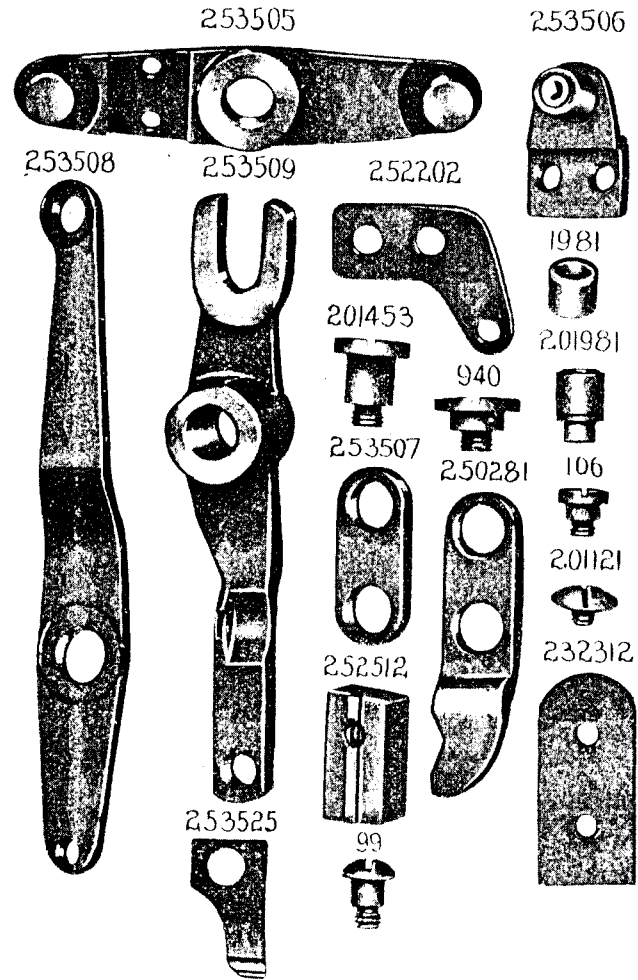


PLATE 13957—ONE-FOURTH SIZE

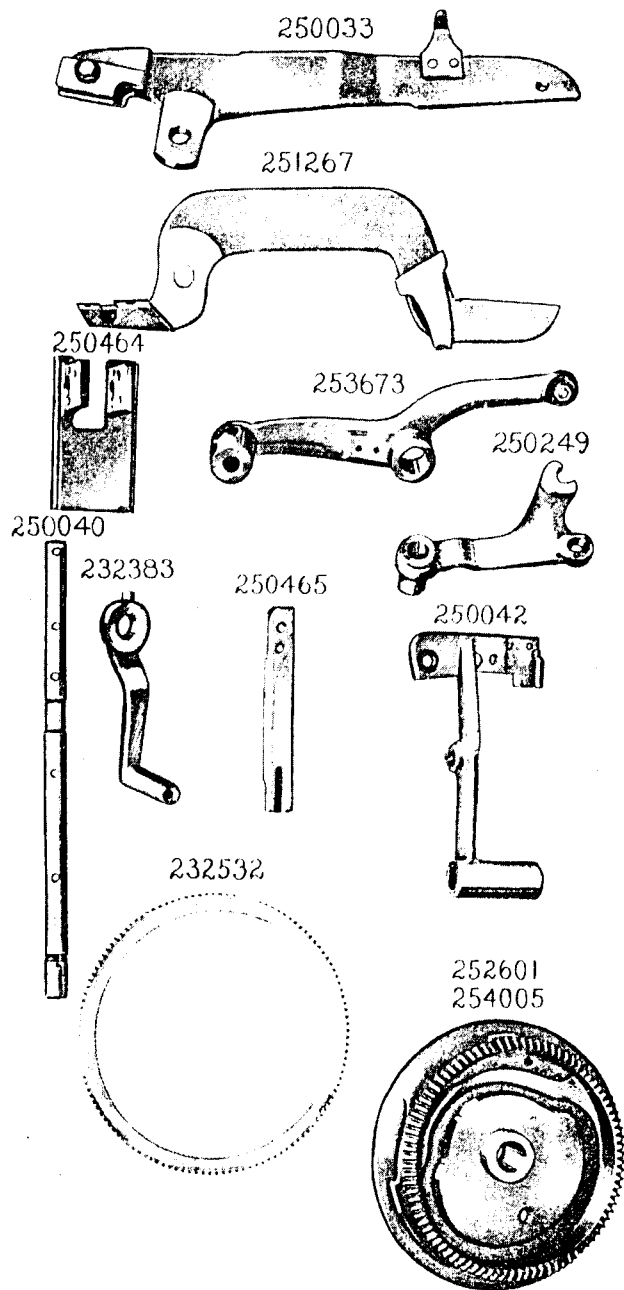
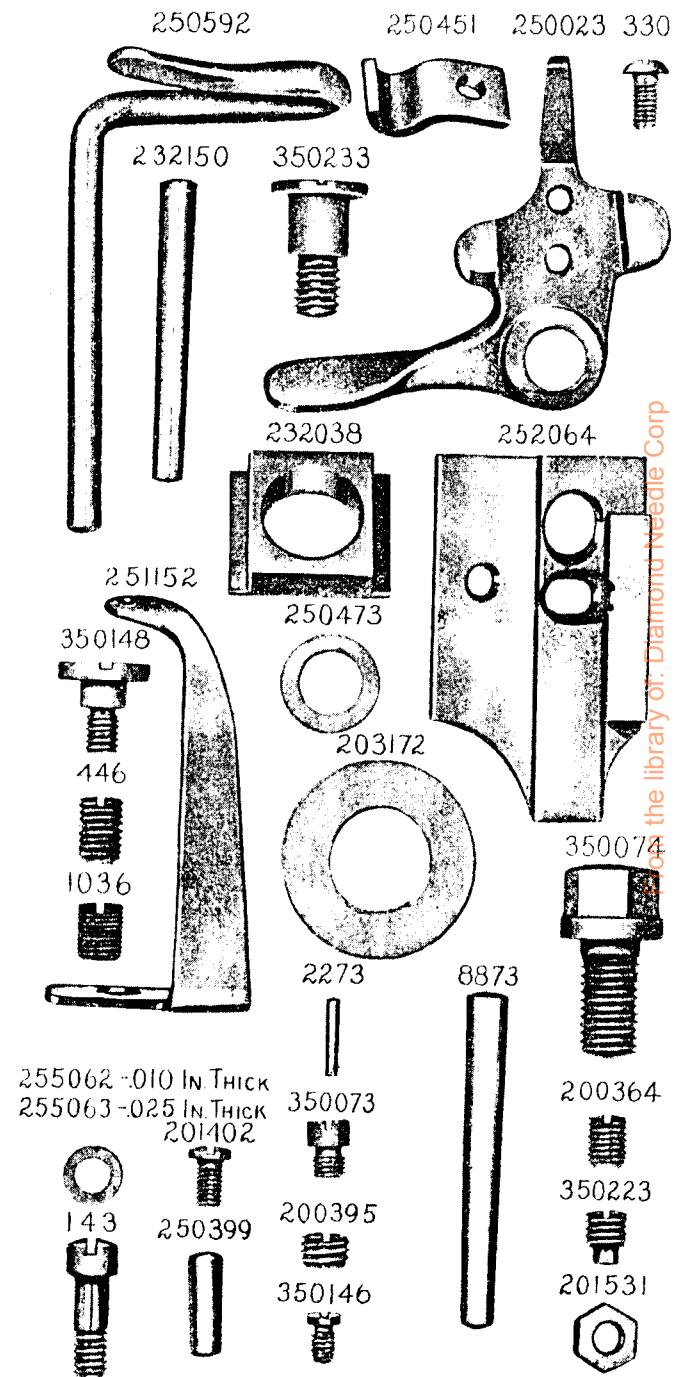


PLATE 13972—FULL SIZE



Property of the library of Diamond Needle Corp

PLATE 13973—ONE-HALF SIZE

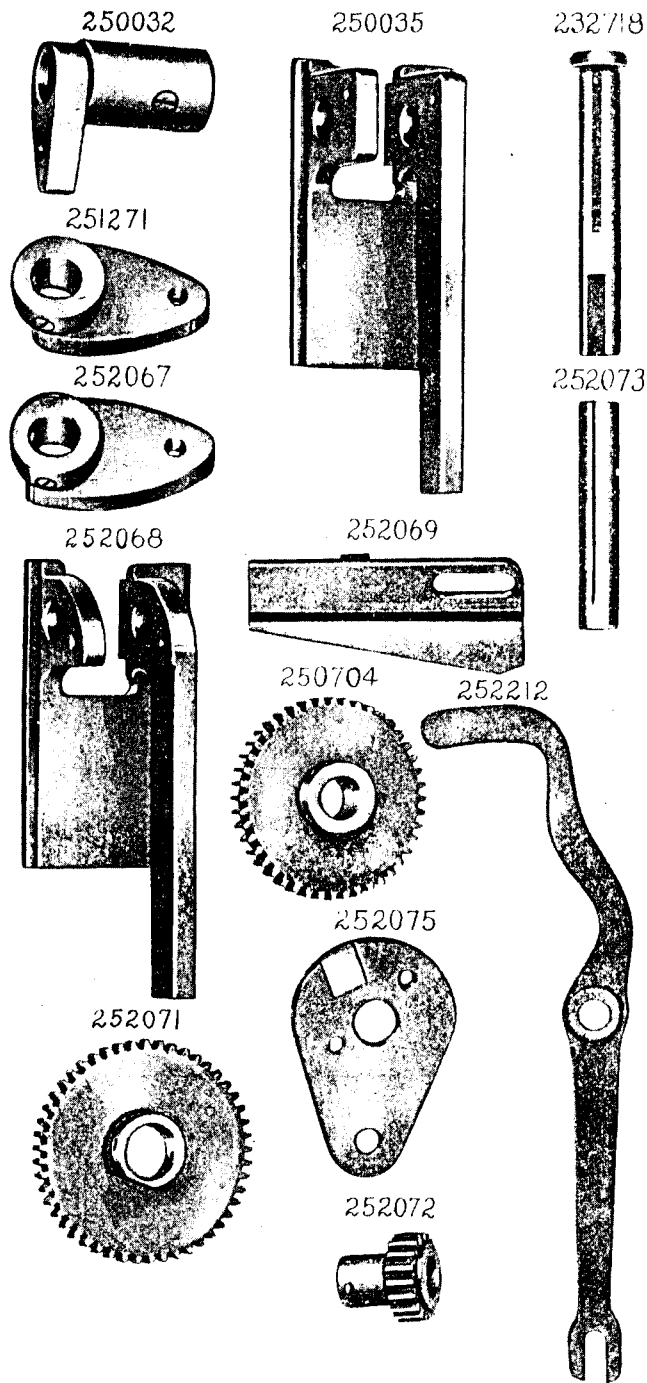
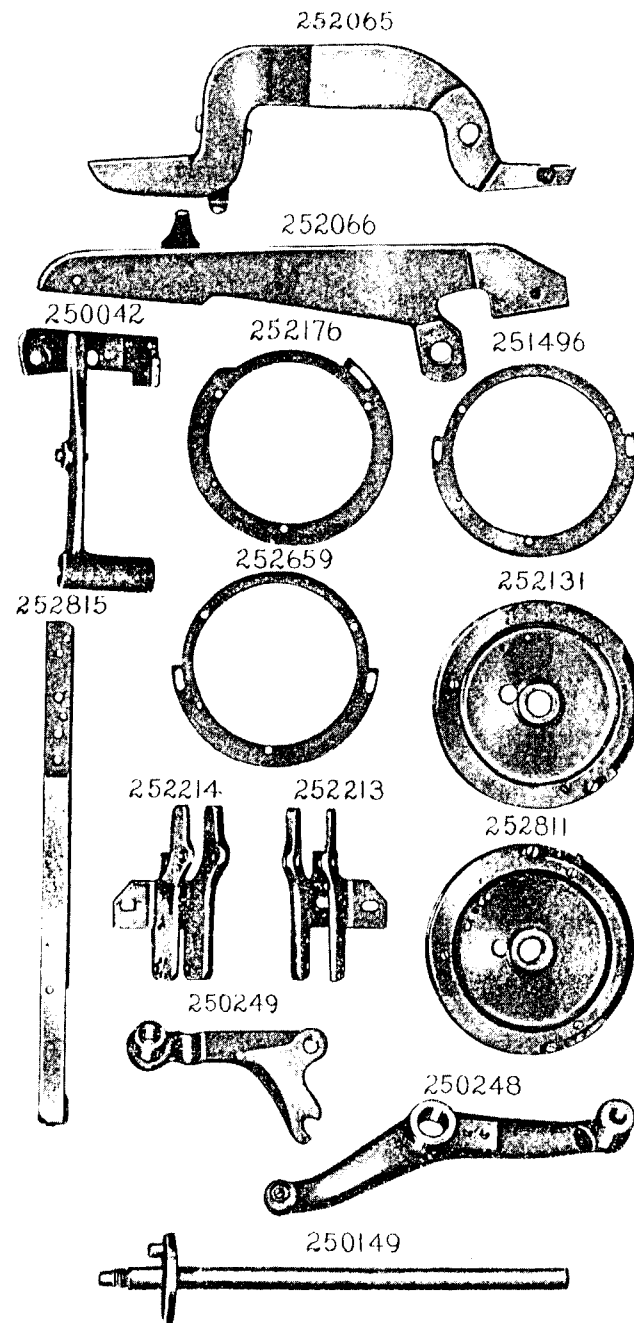


PLATE 13974—ONE-FOURTH SIZE



From the library of: Diamond Needle Corp

PLATE 13975—FULL SIZE

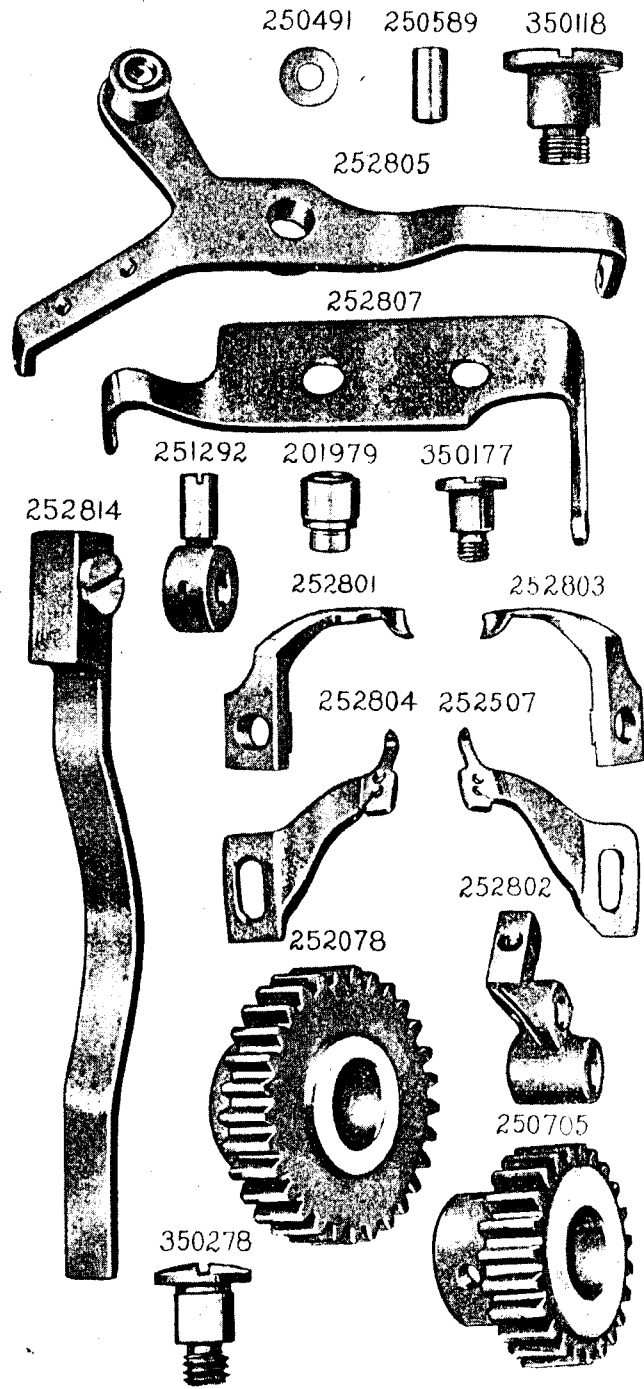


PLATE 15401—FULL SIZE

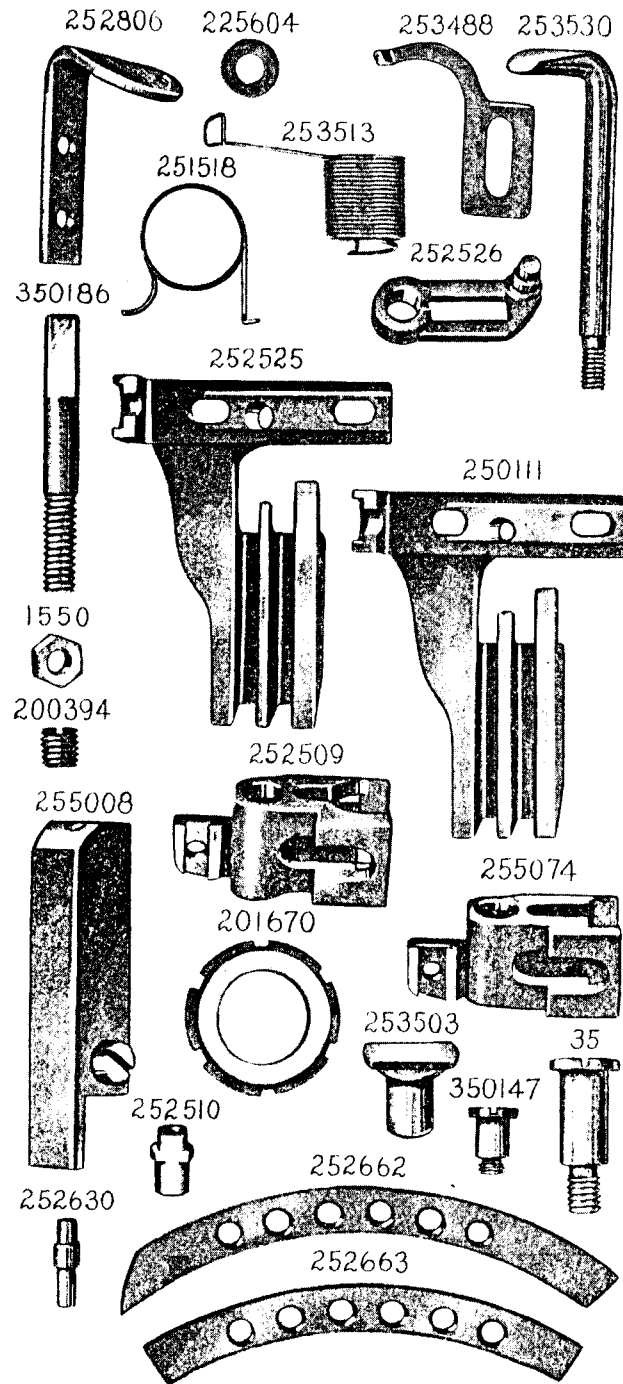


PLATE 15402—ONE-HALF SIZE

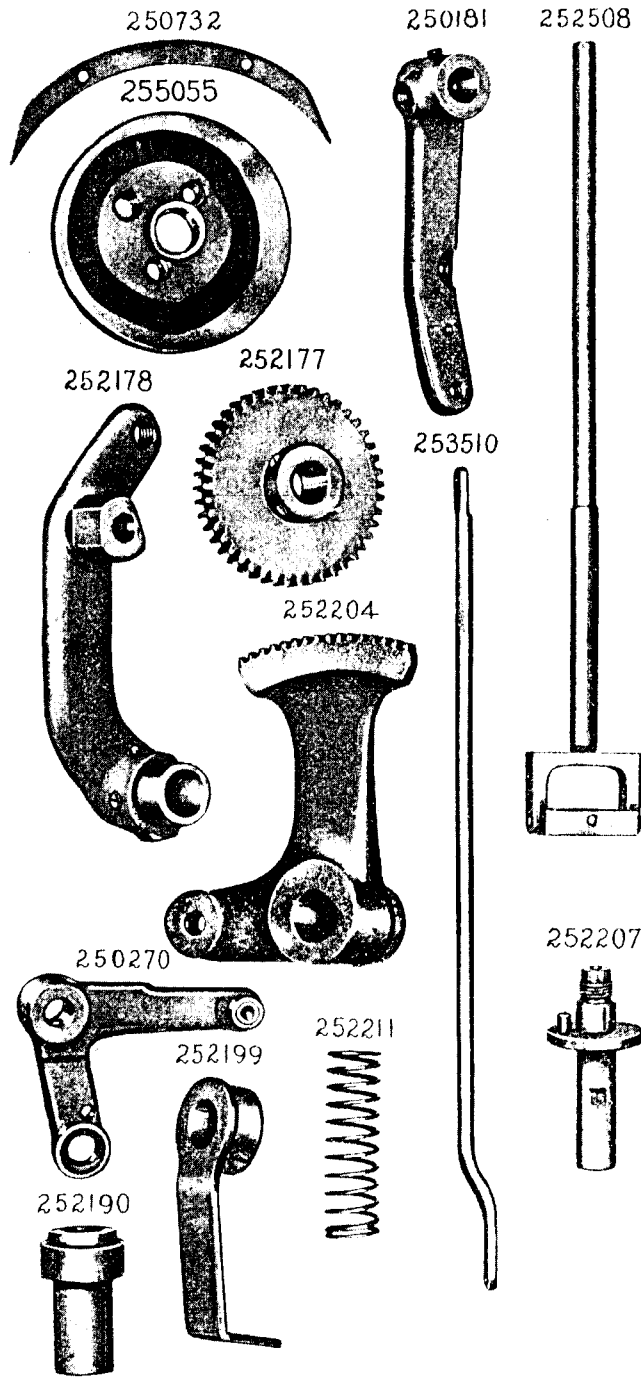
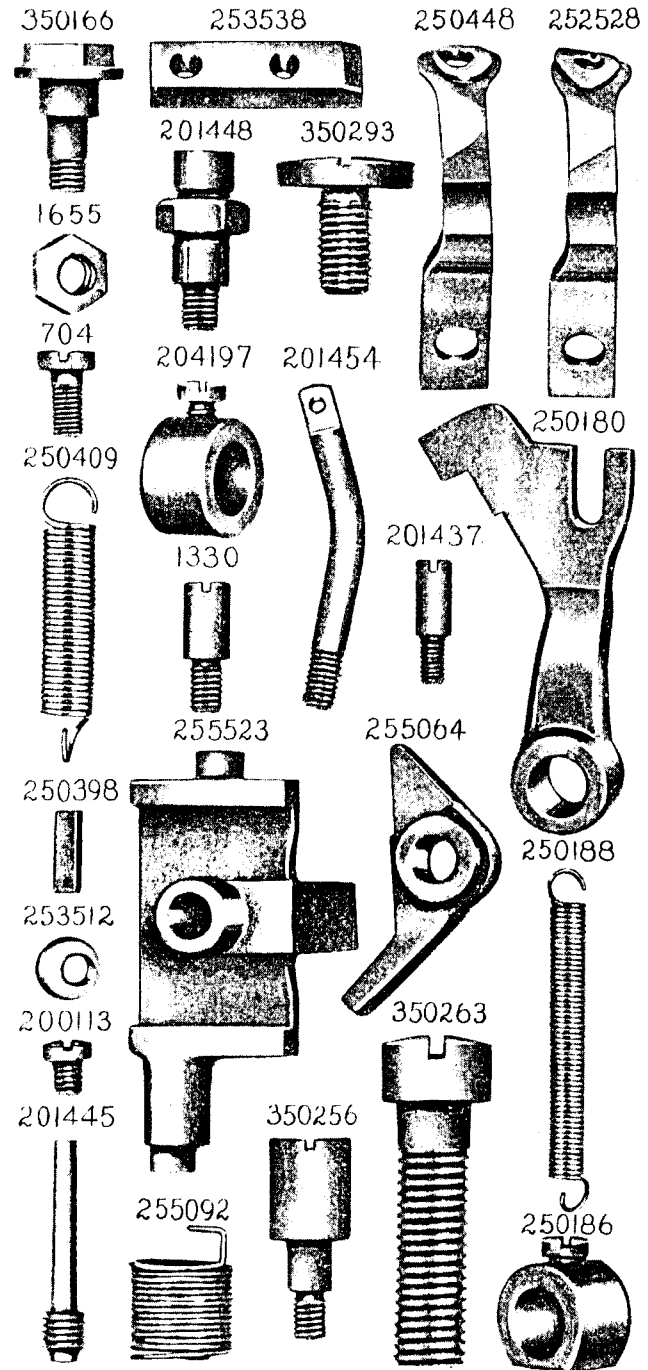


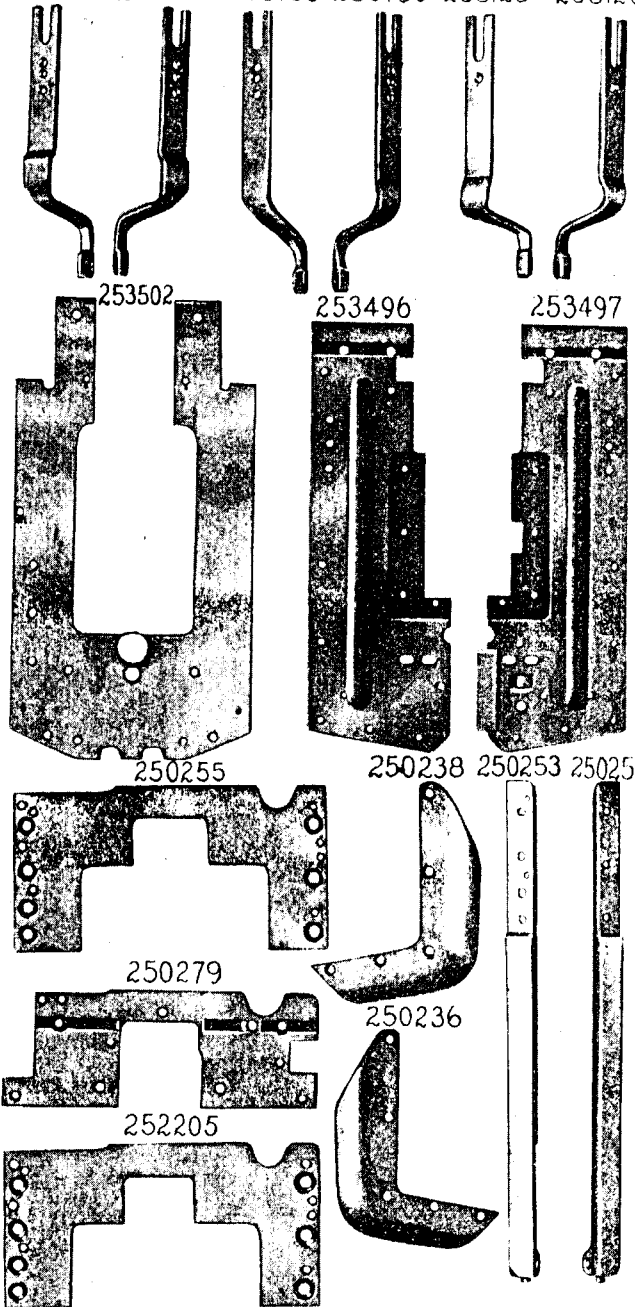
PLATE 15403—FULL SIZE



From the library of: Diamond Needle Corp

PLATE 15404—ONE-FOURTH SIZE

250523 250524 250755 250756 253125 253126



253502

253496

253497

250255

250238

250253

250254

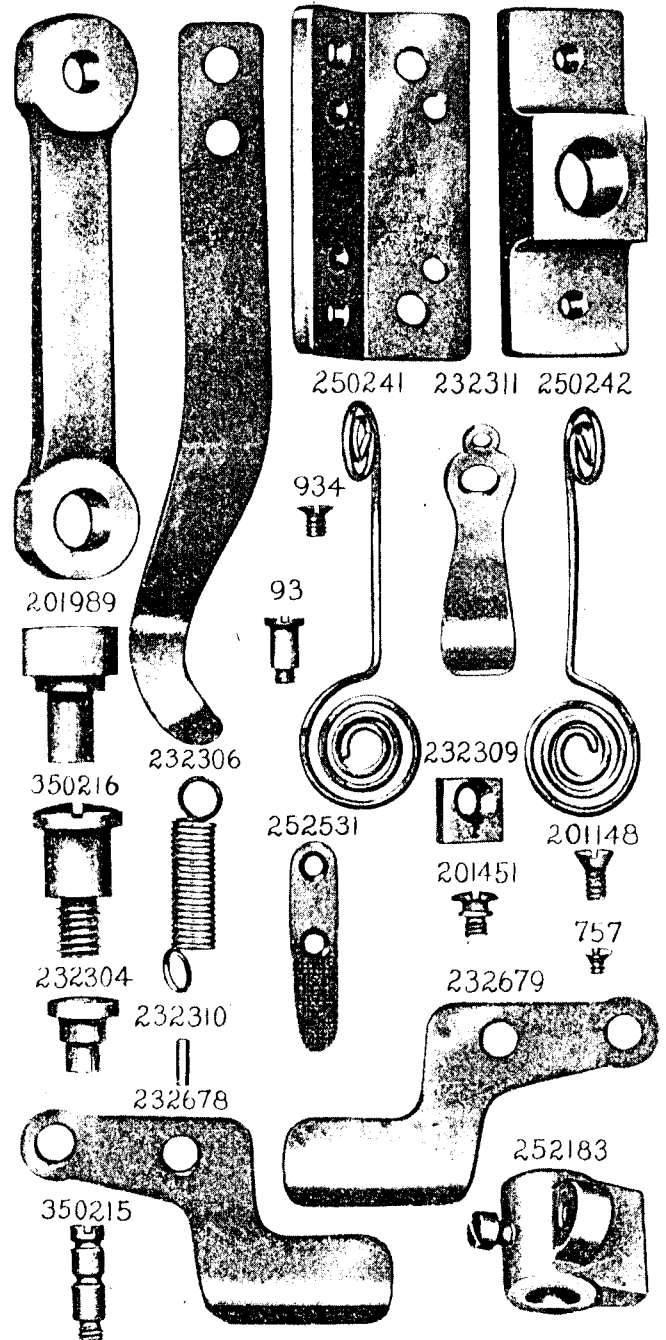
250279

250236

252205

PLATE 15405—FULL SIZE

252189 250251 252209 252208



250241

232311

250242

934

93

201989

232306

350216

252531

232309

201148

201451

757

232304

232310

232679

232678

350215

252183

From the library of: Diamond Needle Corp



PLATE 15406—FULL SIZE

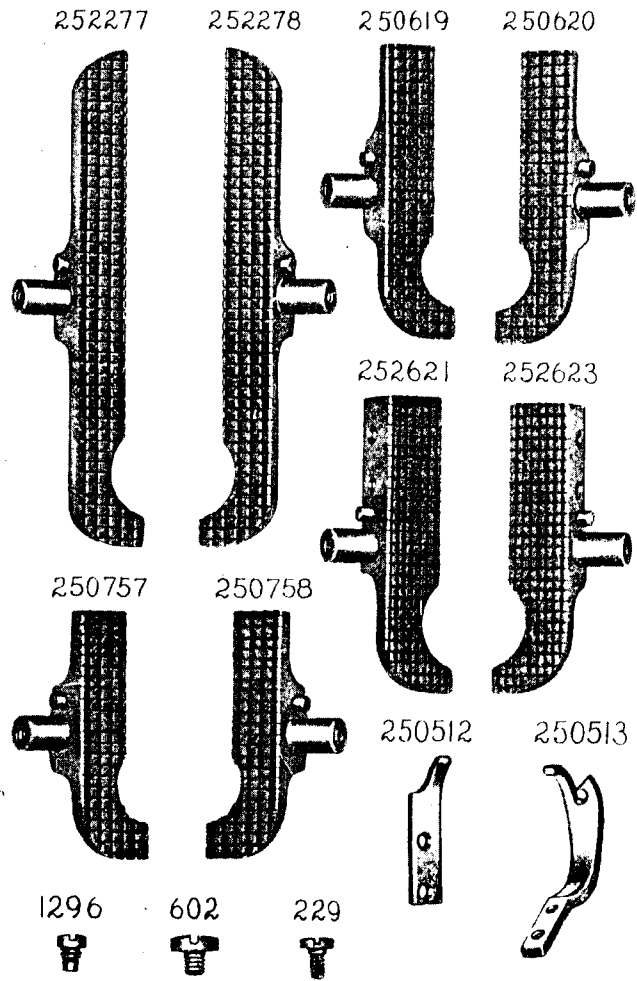


PLATE 15407—FULL SIZE

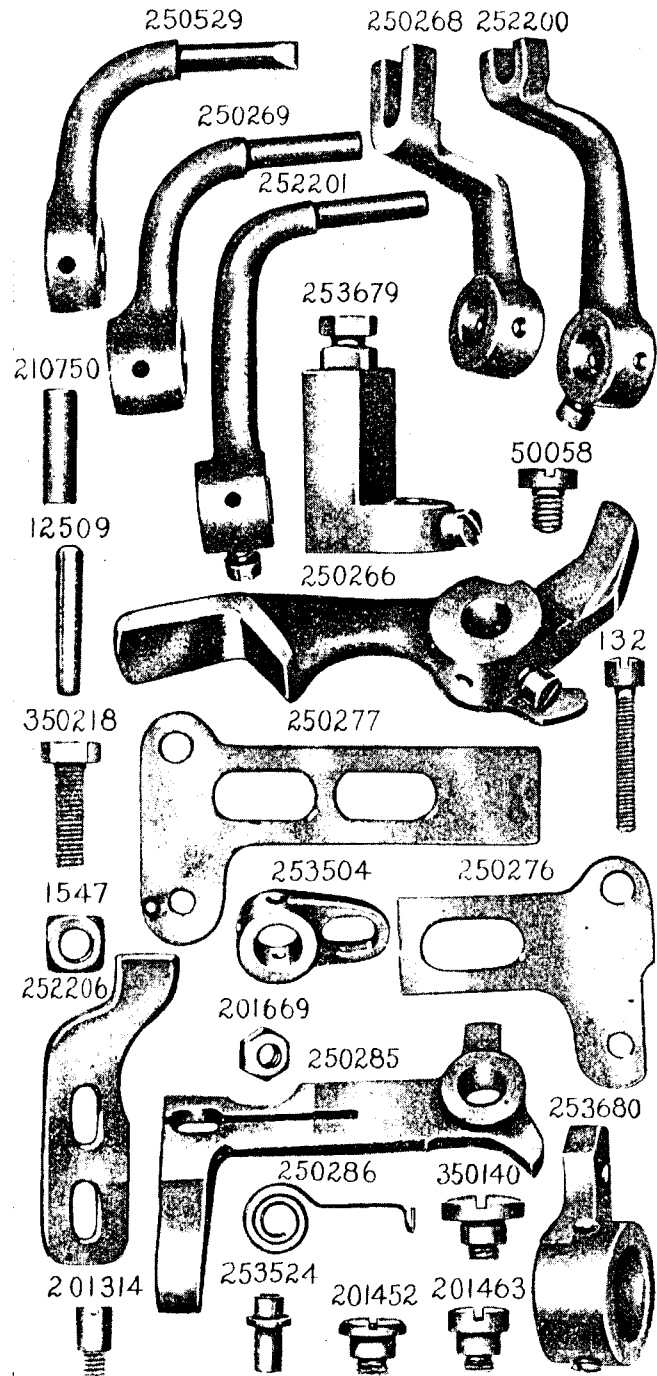


PLATE 15408—ONE-HALF SIZE

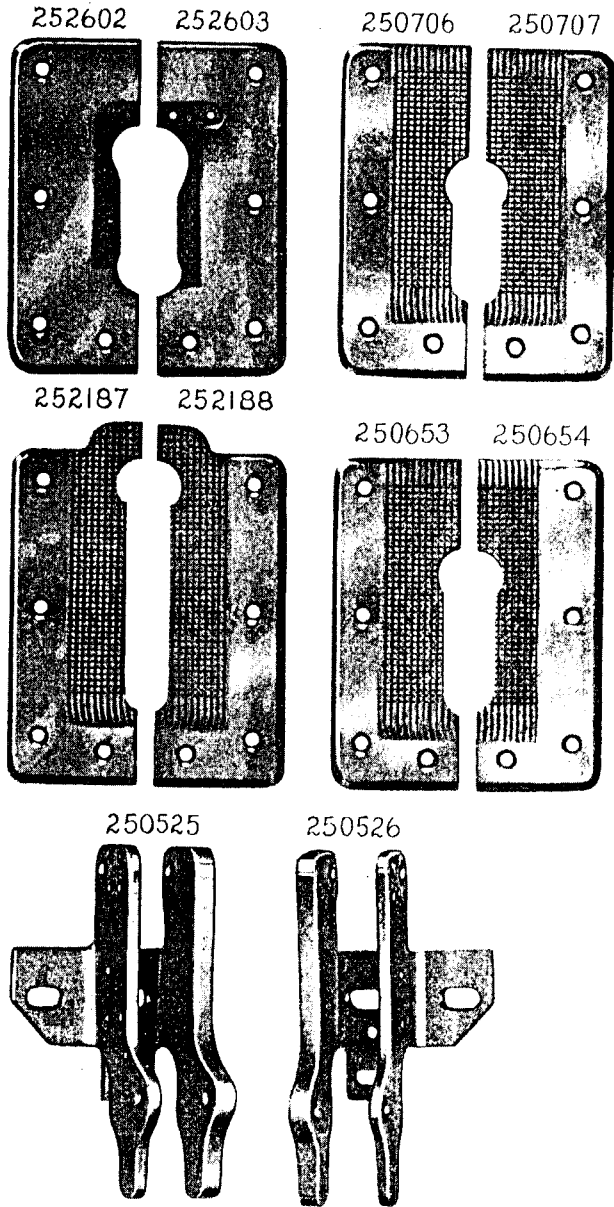
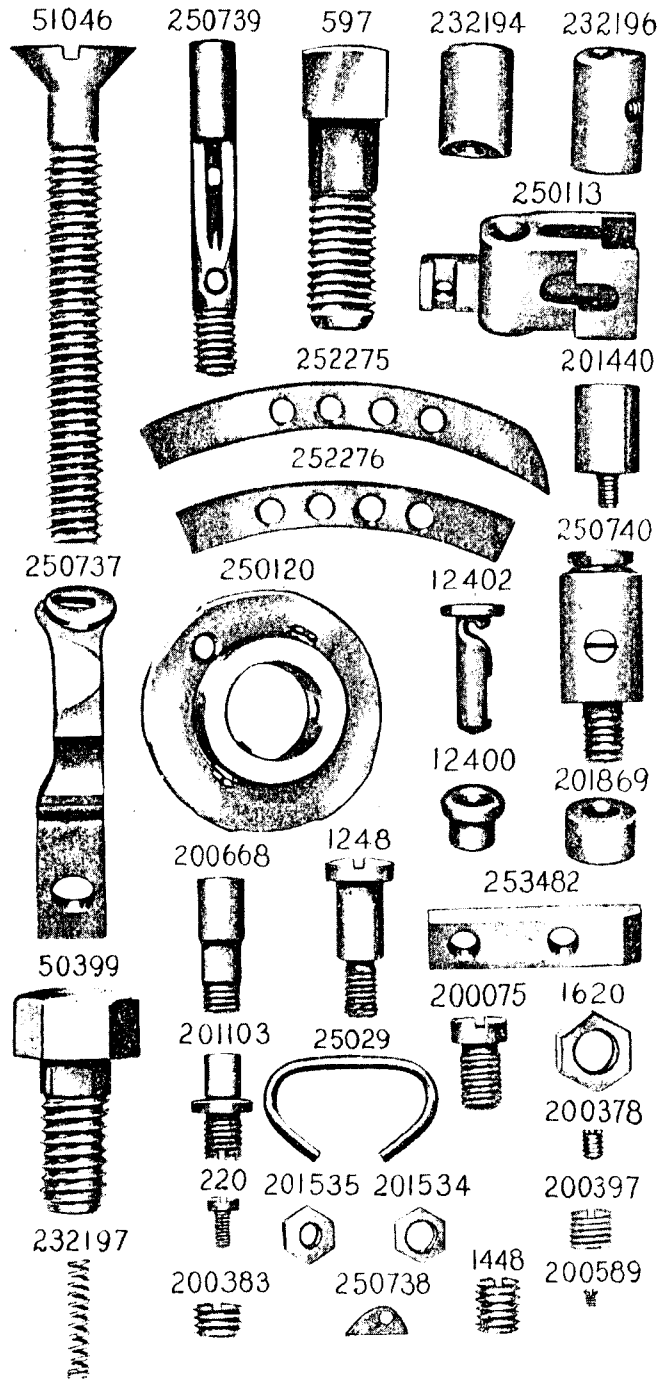


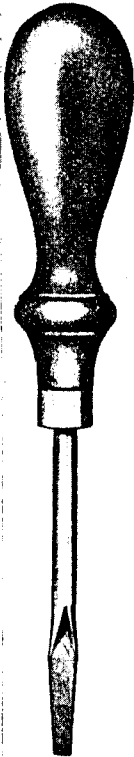
PLATE 15409—FULL SIZE



From the library of: Diamond Needle Corp

PLATE 15410—ONE-HALF SIZE

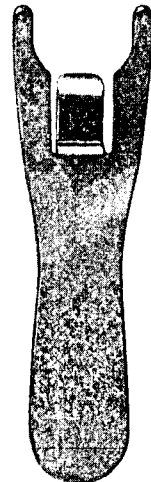
225498



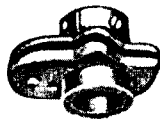
255513



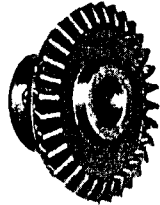
250543



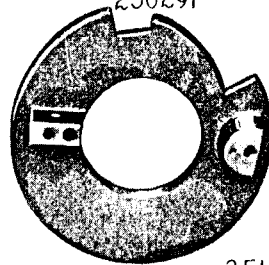
250126



232673



250291



250127



251351

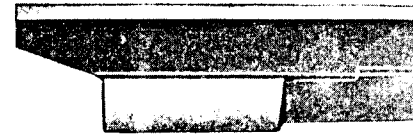


251352

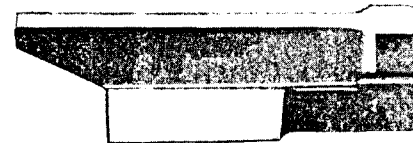


PLATE 15411—FULL SIZE

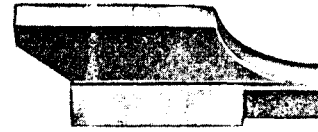
252058



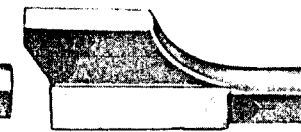
252020



255327



250771



255318



250766



PLATE 15412—FULL SIZE

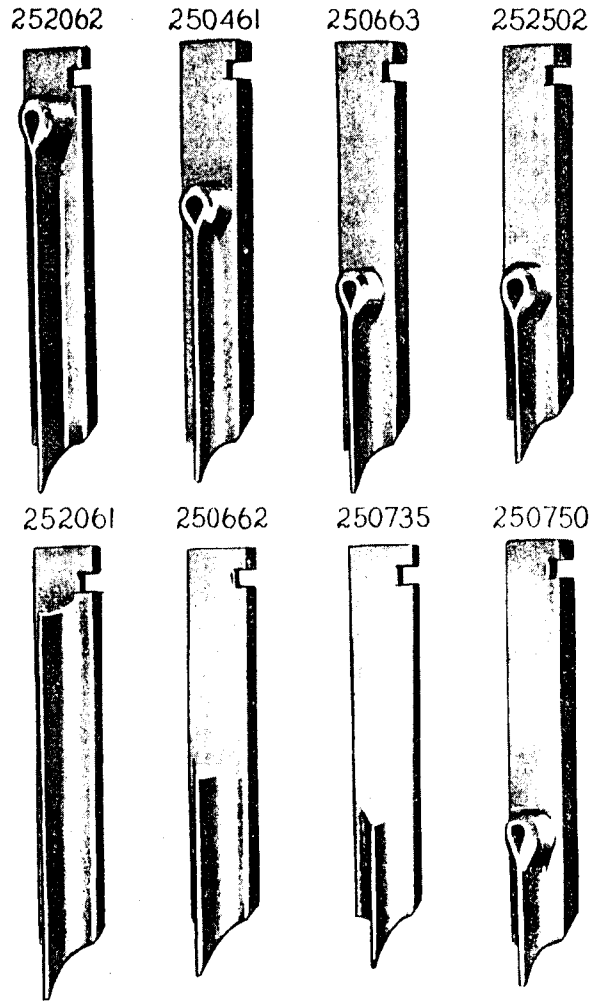


PLATE 15413—ONE-FOURTH SIZE

